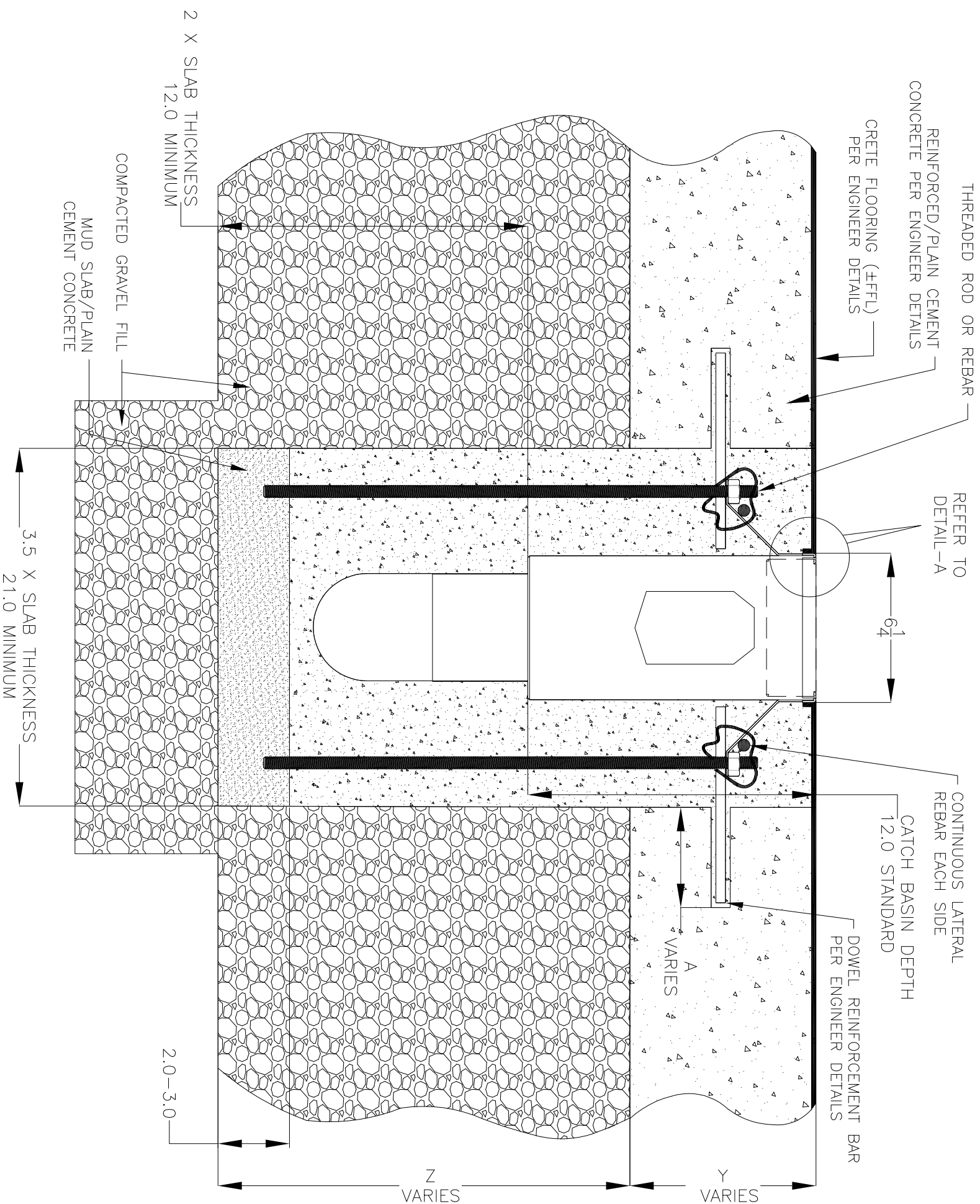


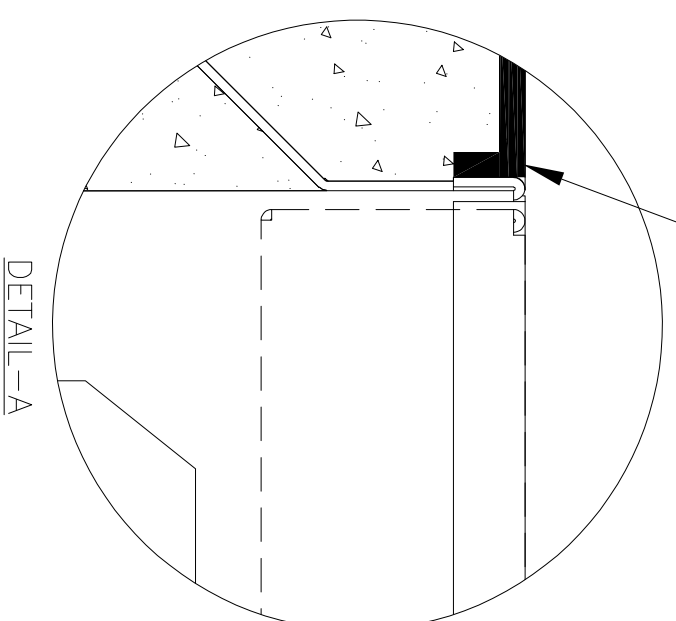
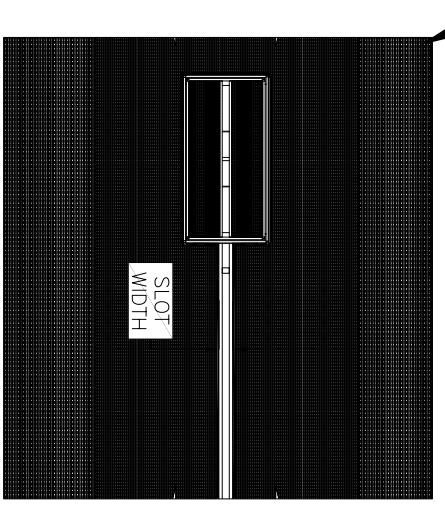
NOTES: UNLESS OTHERWISE SPECIFIED

1. ALL DIMENSIONS ARE IN INCHES.
2. DRAIN BODY MATERIAL: 14GA STAINLESS STEEL T304/T316
3. SPECIFYING ENGINEER IS RESPONSIBLE FOR CONCRETE ENCASUREMENT AND REINFORCING BASED UPON APPLICATION AND LOCAL CODES.
4. REFER TO <https://info.slotdrainsystems.com/installresources> FOR INSTALLATION INSTRUCTIONS.

REVISIONS		DATE	BY
REV	DESCRIPTION		
0	INITIAL RELEASE - RO	11/20/2019	DK
1	UPDATED DRAWING LAYOUT & REBAR DETAILS	7/14/2021	DK



CRETE FLOORING (±FFL) PER ENGINEER DETAILS



6X12X12 CATCH BASIN INSTALLATION DETAILS

SLOT DRAIN[®]
SYSTEMS

855.497.7508
info@slotdrainsystems.com
www.slotdrainsystems.com

ALL DRAWINGS ARE THE EXCLUSIVE PROPERTY OF SLOT DRAIN SYSTEMS. ANY REPRODUCTION IN PART OR IN WHOLE IS PROHIBITED WITHOUT PROPER CONSENT.

DRAWING TITLE		REV.	
DRAIN SERIES		1	
6X12X12 CATCH BASIN WITH PANLID			
DWG NO.	SIZE	SCALE	SHEET
IN-6X12X12PITPANLID-101-R1	B	NTS	1 OF 1