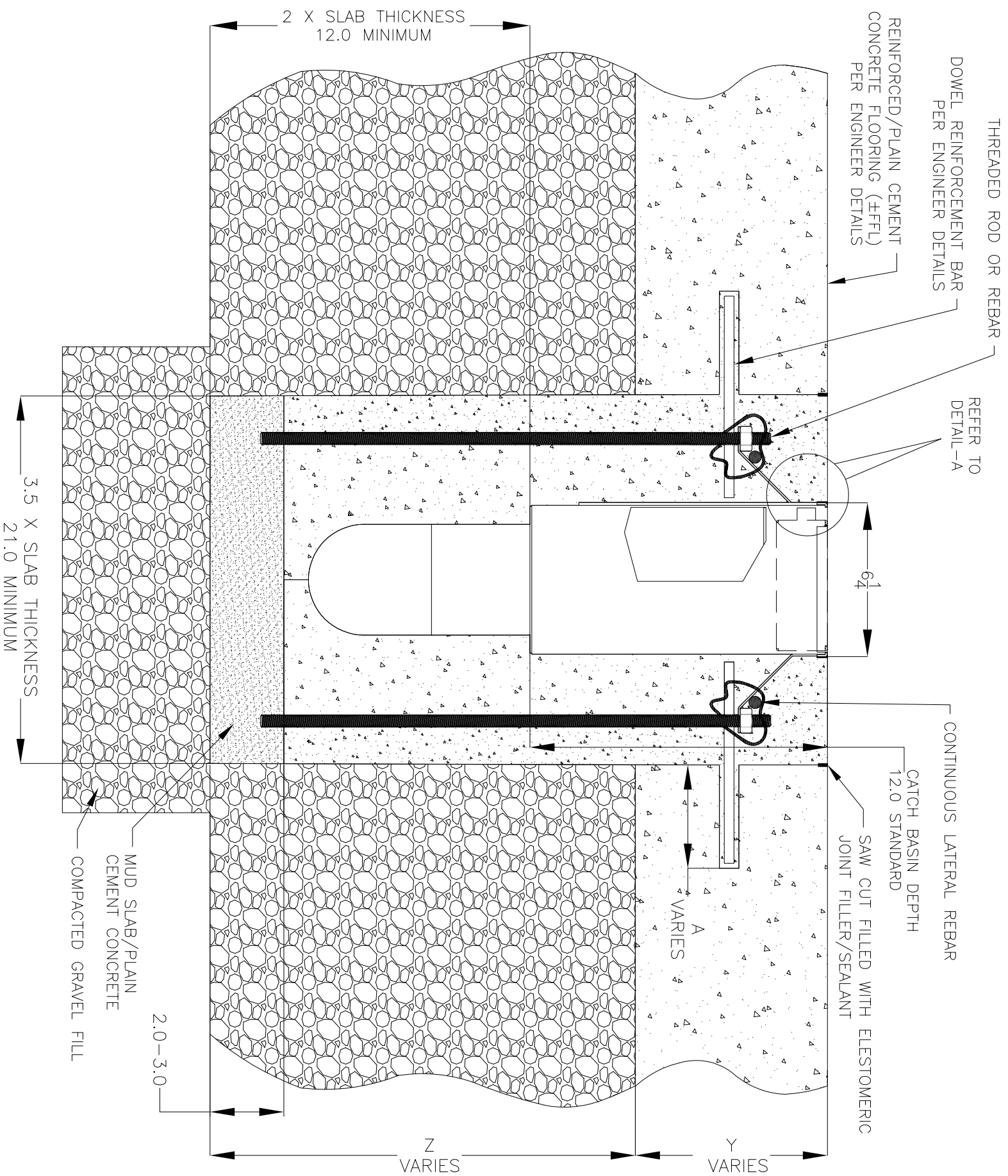
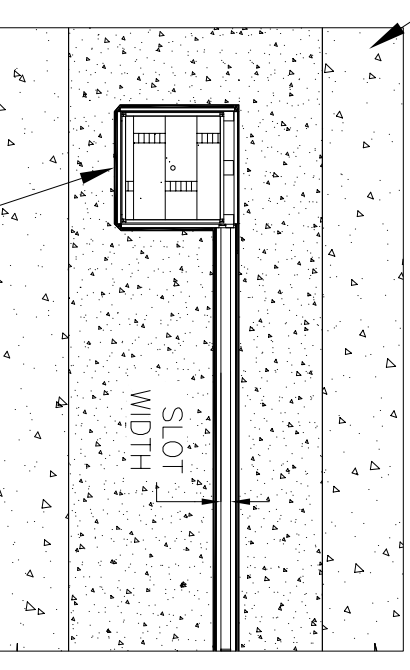


NOTES: UNLESS OTHERWISE SPECIFIED

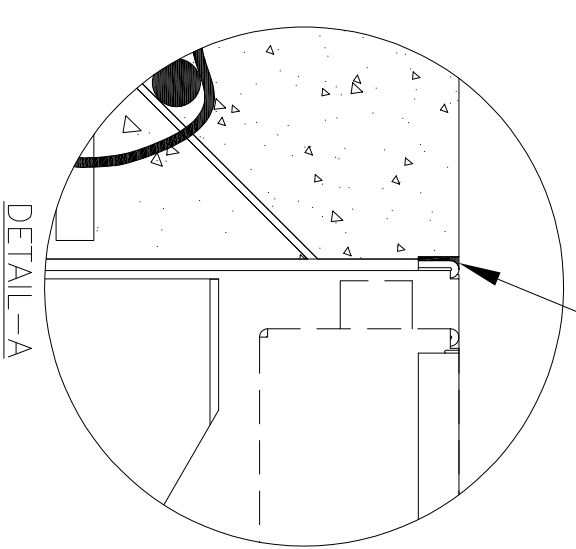
1. ALL DIMENSIONS ARE IN INCHES.
2. CATCH BASIN BODY MATERIAL: 14GA STAINLESS STEEL T304/T316
3. SPECIFYING ENGINEER IS RESPONSIBLE FOR CONCRETE ENCASUREMENT AND REINFORCING BASED UPON APPLICATION AND LOCAL CODES.
4. REFER TO <https://info.slotdrainsystems.com/installresources> FOR INSTALLATION INSTRUCTIONS.



REINFORCED/PLAIN CEMENT CONCRETE FLOORING (±FFL) PER ENGINEER DETAILS



SEALANT BETWEEN ±FFL AND CATCH BASIN TOP



REVISIONS

REV	DESCRIPTION	DATE	BY
0	INITIAL RELEASE - R0	11/20/2019	DK
1	UPDATED DRAWING LAYOUT & REBAR DETAILS	7/14/2021	DK



DRAWING TITLE
CONCRETE FLOOR-RETROFIT-FLOOR INSTALL

DRAIN SERIES
6X6X12 NON FG 4000 CATCH BASIN WITH PANLID

DWG NO.
IN-4000-6X6X12PFPANLID-110-R1

SIZE
B

SCALE
NTS

SHEET
1 OF 1

6X6X12 NON FG 4000 CATCH BASIN INSTALLATION DETAILS

ALL DRAWINGS ARE THE EXCLUSIVE PROPERTY OF SLOT DRAIN SYSTEMS. ANY REPRODUCTION, IN PART OR IN WHOLE IS PROHIBITED WITHOUT PROPER CONSENT.