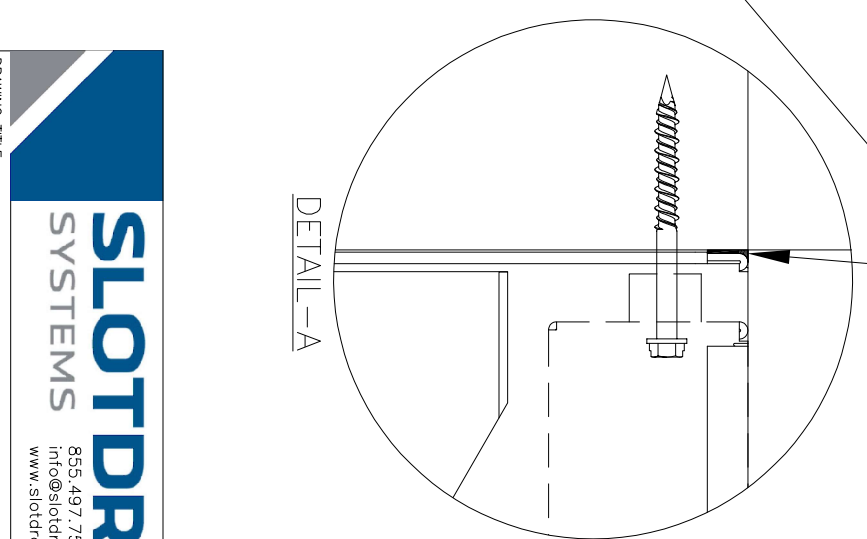
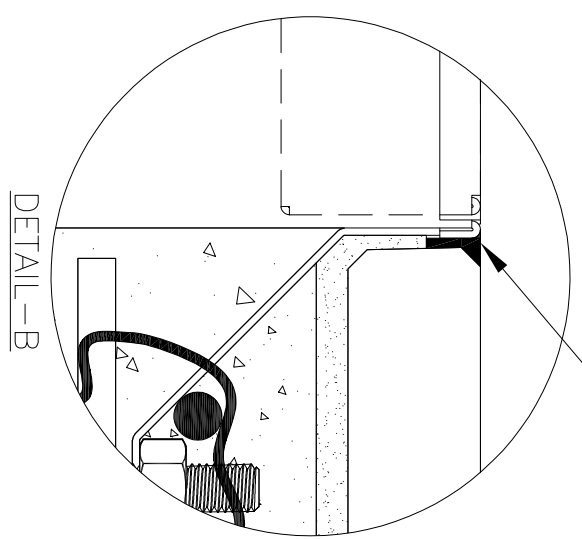
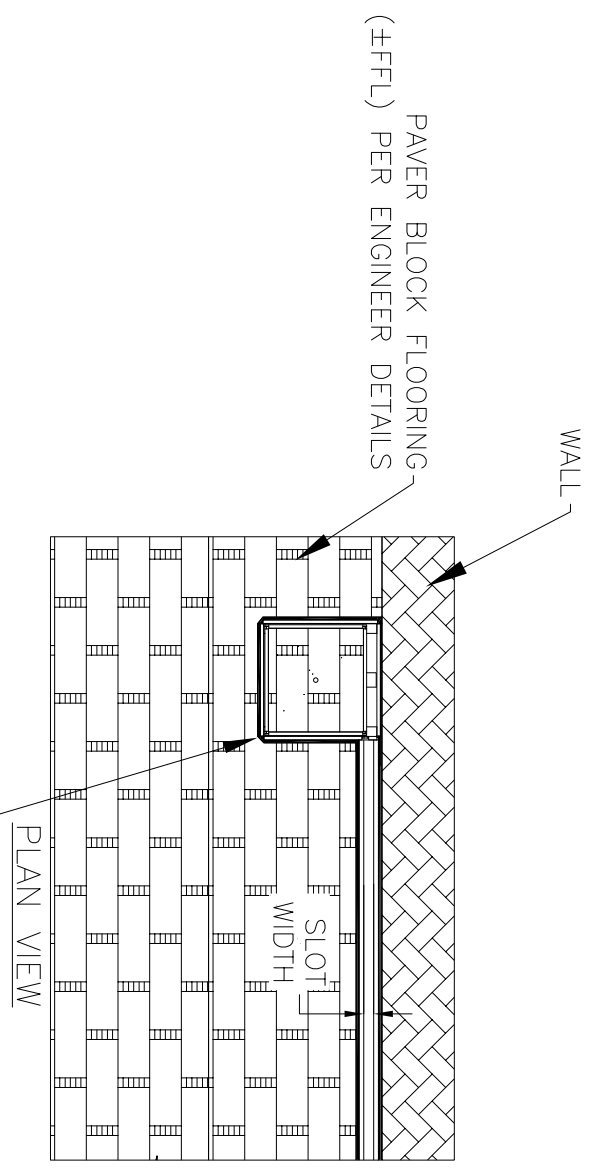
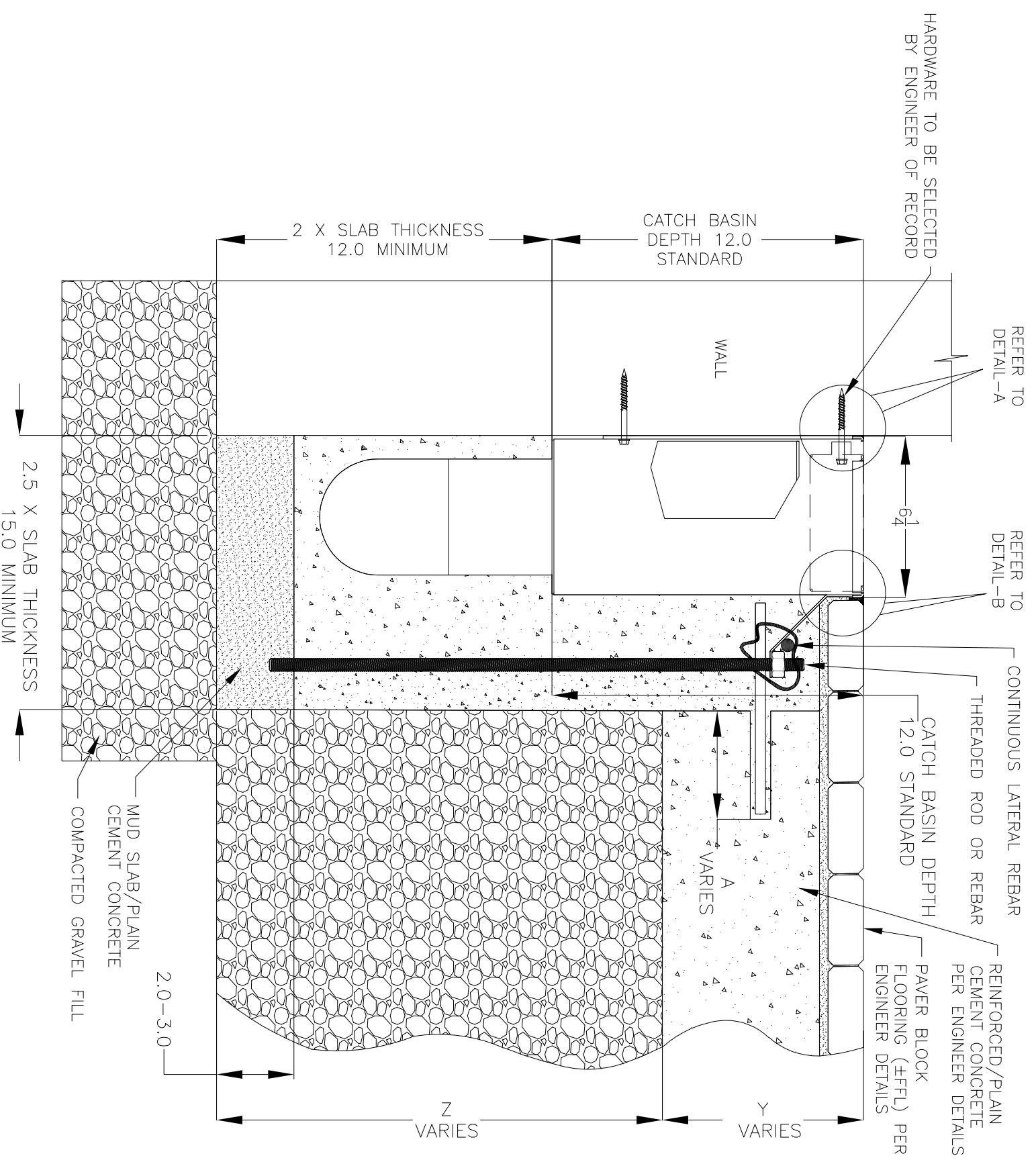


NOTES: UNLESS OTHERWISE SPECIFIED

1. ALL DIMENSIONS ARE IN INCHES.
2. CATCH BASIN BODY MATERIAL: 14GA STAINLESS STEEL T304/T316
3. SPECIFYING ENGINEER IS RESPONSIBLE FOR CONCRETE ENCASUREMENT AND REINFORCING BASED UPON APPLICATION AND LOCAL CODES.
4. REFER TO <https://info.slotdrainsystems.com/installresources> FOR INSTALLATION INSTRUCTIONS.



REVISIONS			
REV	DESCRIPTION	DATE	BY
0	INITIAL RELEASE - R0	11/20/2019	DK
1	UPDATED DRAWING LAYOUT & REBAR DETAILS	7/14/2021	DK

**SLOT DRAIN**<sup>®</sup>  
SYSTEMS

855.497.7508  
info@slotdrainsystems.com  
www.slotdrainsystems.com

DRAWING TITLE  
PAVER BLOCK FLOOR-RETROFIT-WALL INSTALL

DRAIN SERIES  
6X6X12 NON FG 4000 CATCH BASIN WITH PANLID

DWG NO.	SIZE	SCALE	SHEET	REV.
IN-4000-6X6X12PFPANLID-101-R1	B	NTS	1 OF 1	1

6X6X12 NON FG 4000 CATCH BASIN INSTALLATION DETAILS

ALL DRAWINGS ARE THE EXCLUSIVE  
PROPERTY OF SLOT DRAIN SYSTEMS.  
ANY REPRODUCTION, IN PART OR IN  
WHOLE IS PROHIBITED WITHOUT  
PROPER CONSENT.