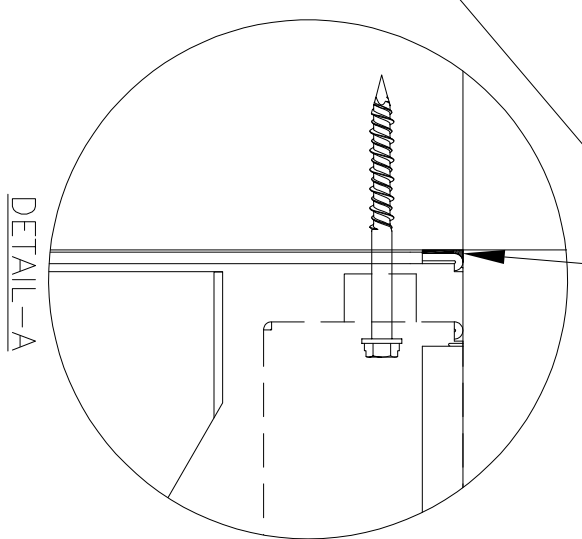
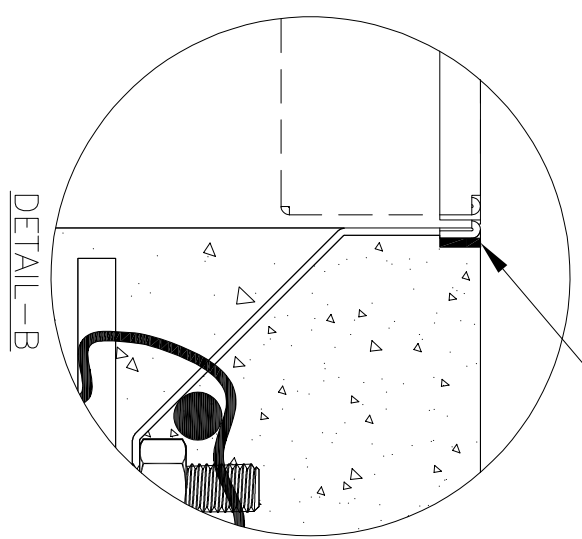
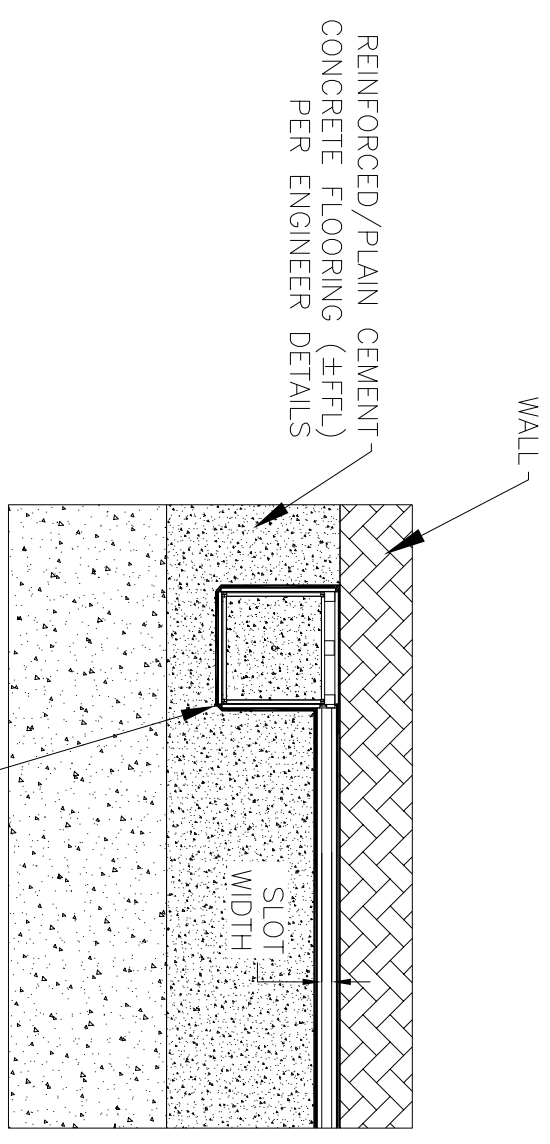
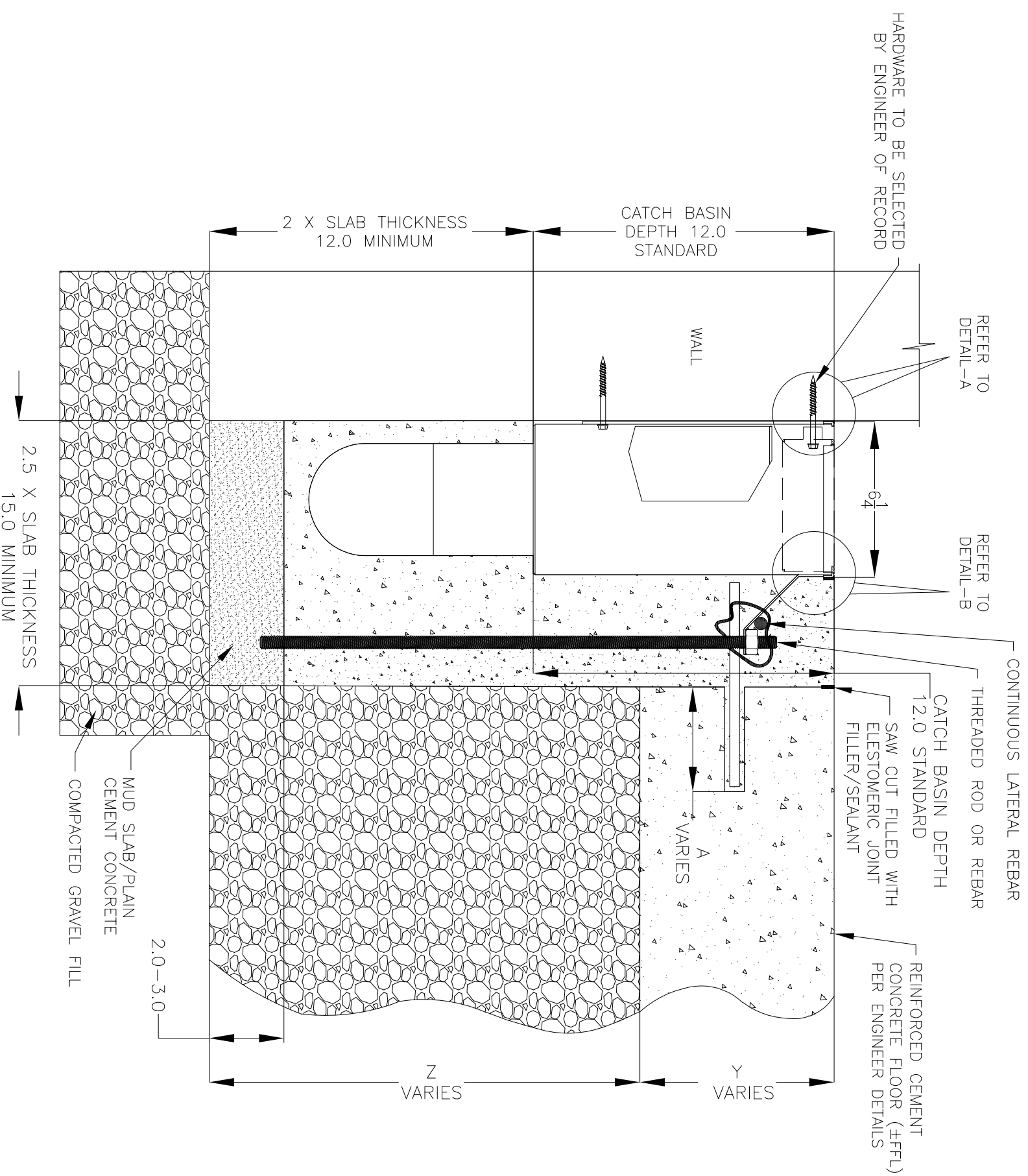


NOTES: UNLESS OTHERWISE SPECIFIED

1. ALL DIMENSIONS ARE IN INCHES.
2. CATCH BASIN BODY MATERIAL: 14GA STAINLESS STEEL T304/T316
3. SPECIFYING ENGINEER IS RESPONSIBLE FOR CONCRETE ENCASEMENT AND REINFORCING BASED UPON APPLICATION AND LOCAL CODES.
4. REFER TO <https://info.slotdrainsystems.com/installresources> FOR INSTALLATION INSTRUCTIONS.



REVISIONS			
REV	DESCRIPTION	DATE	BY
0	INITIAL RELEASE - R0	11/20/2019	DK
1	UPDATED DRAWING LAYOUT & REBAR DETAILS	7/14/2021	DK

SLOT DRAIN
SYSTEMS

855.497.7508
info@slotdrainsystems.com
www.slotdrainsystems.com

DRAWING TITLE
CONCRETE FLOOR-RETROFIT-WALL INSTALL

DRAIN SERIES	6X6X12 NON FG 4000 CATCH BASIN WITH PANLID	REV.	1
DWG NO.	IN-4000-6X6X12PIFPANLID-100-R1	SIZE	B
		SCALE	NTS
		SHEET	1 OF 1

6X6X12 NON FG 4000 CATCH BASIN INSTALLATION DETAILS

ALL DRAWINGS ARE THE EXCLUSIVE PROPERTY OF SLOT DRAIN SYSTEMS. ANY REPRODUCTION, IN PART OR IN WHOLE IS PROHIBITED WITHOUT PROPER CONSENT.