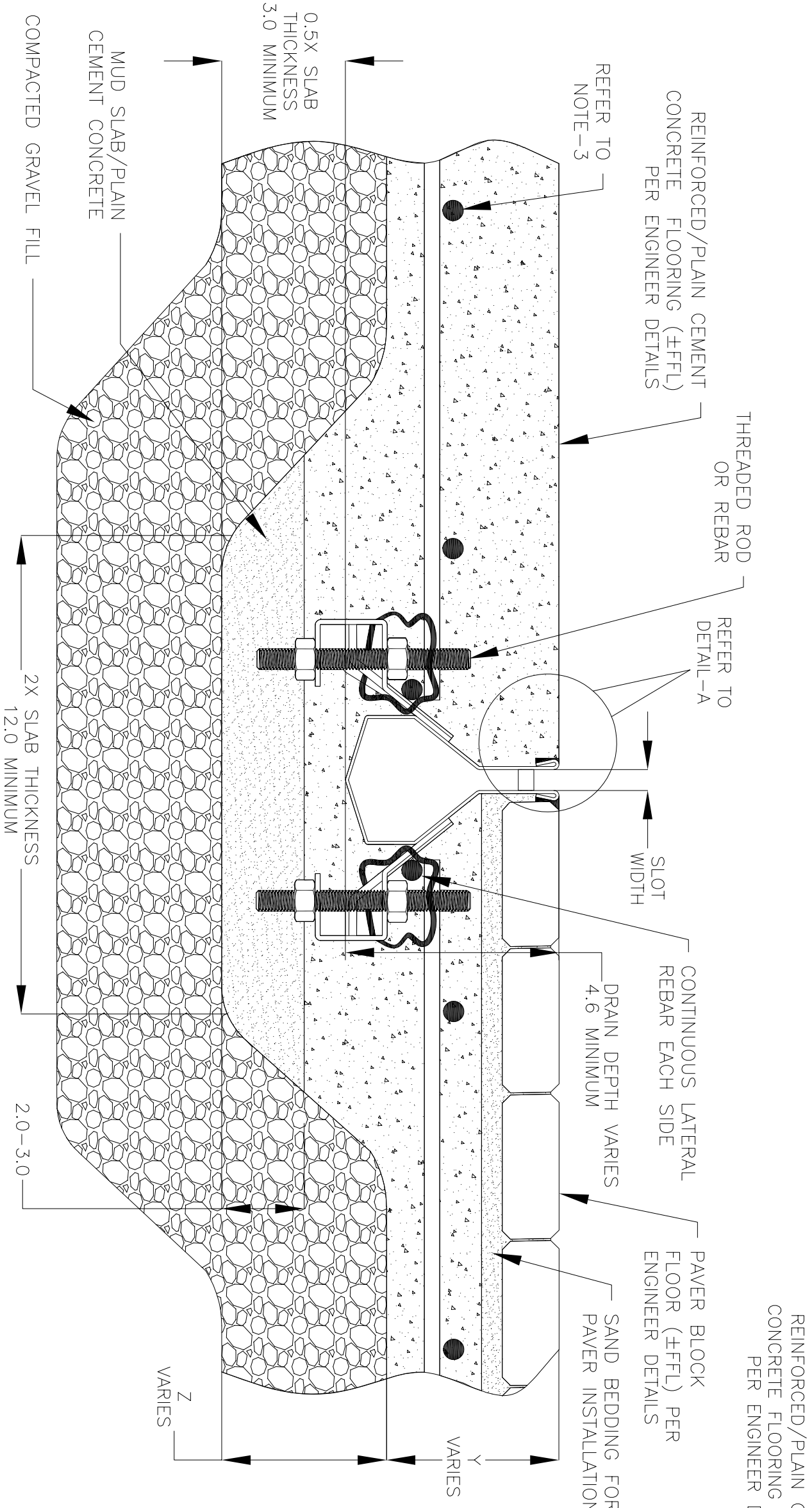


NOTES: UNLESS OTHERWISE SPECIFIED

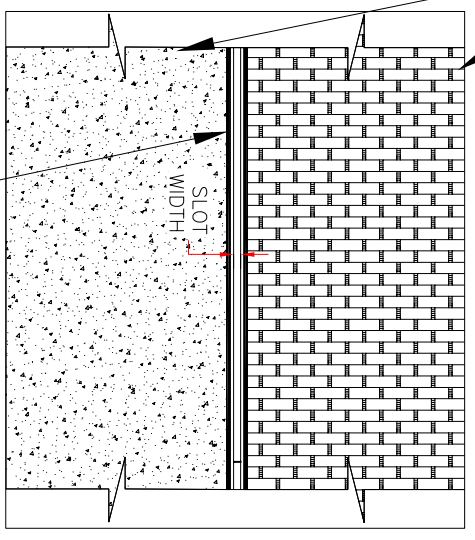
1. ALL DIMENSIONS ARE IN INCHES.
2. DRAIN BODY MATERIAL: 1 4GA STAINLESS STEEL T304/T316
3. SPECIFYING ENGINEER IS RESPONSIBLE FOR CONCRETE ENCASUREMENT AND REINFORCING BASED UPON APPLICATION AND LOCAL CODES.
4. REFER TO <https://info.slotdrainsystems.com/installresources> FOR INSTALLATION INSTRUCTIONS.



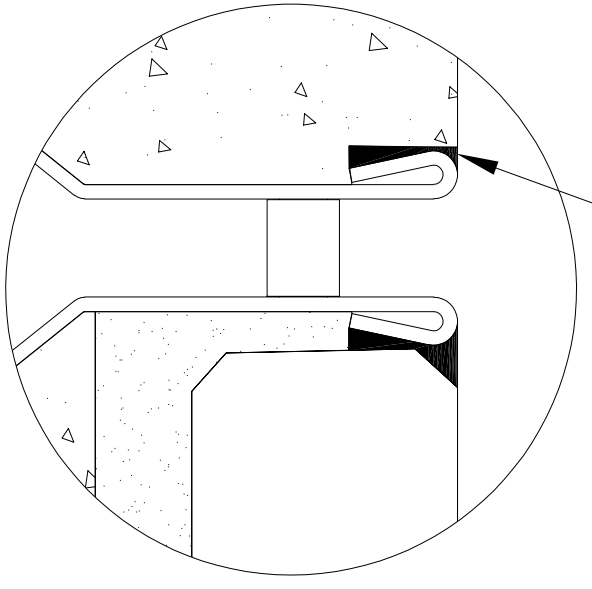
7000N SERIES SLOT DRAIN INSTALLATION DETAILS

PAVER BLOCK FLOORING (±FFL) PER ENGINEER DETAILS

REINFORCED/PLAIN CEMENT CONCRETE FLOORING (±FFL) PER ENGINEER DETAILS



SEALANT BETWEEN ±FFL AND DRAIN TOP



REVISIONS			
REV	DESCRIPTION	DATE	BY
0	INITIAL RELEASE - RO	1/8/2020	DK
1	UPDATED THE DRAIN LAYOUT	12/2/2020	DK
2	UPDATED THE DRAIN & REBAR DETAILS	7/14/2021	DK

ALL DRAWINGS ARE THE EXCLUSIVE PROPERTY OF SLOT DRAIN SYSTEMS. ANY REPRODUCTION IN PART OR IN WHOLE IS PROHIBITED WITHOUT PROPER CONSENT.

SLOT DRAIN SYSTEMS
 855.497.7508
 info@slotdrainsystems.com
 www.slotdrainsystems.com

DRAWING TITLE		PAVER+CONCRETE FLOOR-NEW CONSTRUCTION INSTALLATION	
DRAIN SERIES		7000N SERIES SLOT DRAIN	
DWG NO.	IN-SD7000N-006-R2	SIZE	B
SCALE	NTS	SHEET	1 OF 1
REV.	2		