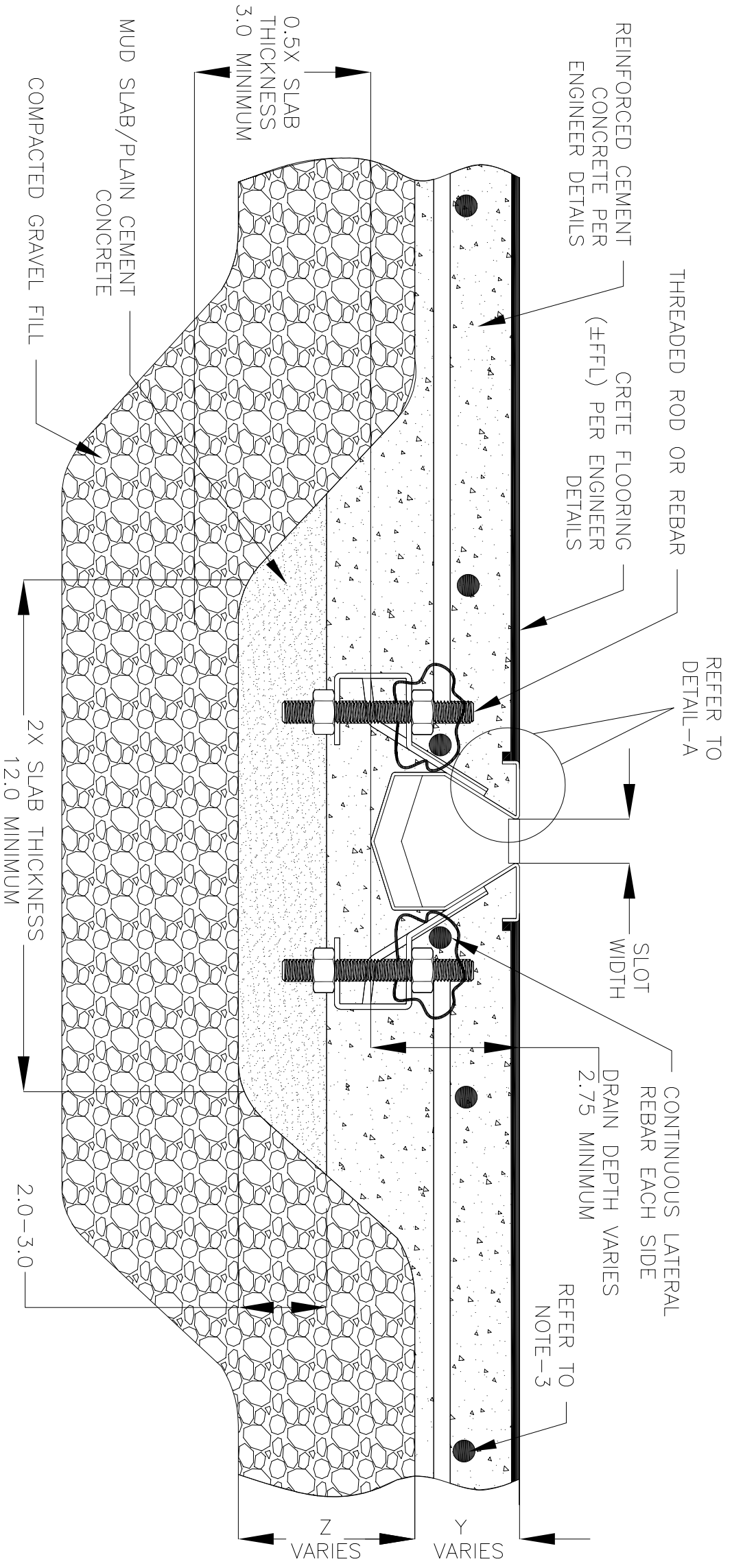


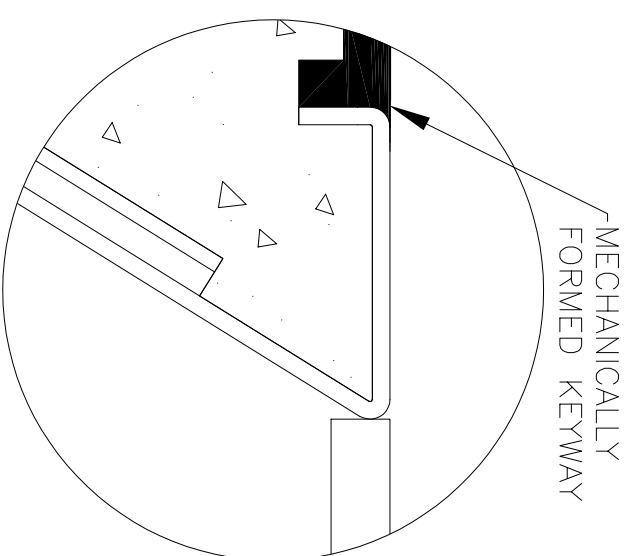
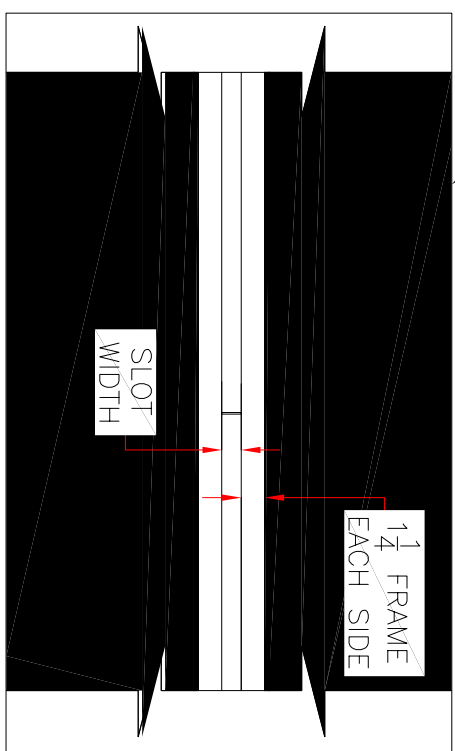
NOTES: UNLESS OTHERWISE SPECIFIED

1. ALL DIMENSIONS ARE IN INCHES.
2. DRAIN BODY MATERIAL: 14GA STAINLESS STEEL T304/T316
3. SPECIFYING ENGINEER IS RESPONSIBLE FOR CONCRETE ENCASEMENT AND REINFORCING BASED UPON APPLICATION AND LOCAL CODES.
4. REFER TO <https://info.slotdrainsystems.com/installresources> FOR INSTALLATION INSTRUCTIONS.



6000 SERIES SLOT DRAIN INSTALLATION DETAILS

CRETE FLOORING (±FFL) PER ENGINEER DETAILS



DETAIL-A

REVISIONS		DATE	BY
REV	DESCRIPTION		
0	INITIAL RELEASE - R0	11/14/2019	DK
1	UPDATED THE DRAIN LAYOUT	12/2/2020	DK
2	UPDATED THE REBAR DETAILS	7/14/2021	DK

SLOT DRAIN SYSTEMS
 855.497.7508
 info@slotdrainsystems.com
 www.slotdrainsystems.com

DRAWING TITLE		REV.	
CRETE FLOOR-NEW CONSTRUCTION INSTALLATION		2	
DRAIN SERIES		6000 SERIES SLOT DRAIN	
DWG NO.	SIZE	SCALE	SHEET
IN-SD6000-001-R2	B	NTS	1 OF 1

ALL DRAWINGS ARE THE EXCLUSIVE PROPERTY OF SLOT DRAIN SYSTEMS. ANY REPRODUCTION IN PART OR IN WHOLE IS PROHIBITED WITHOUT PROPER CONSENT.