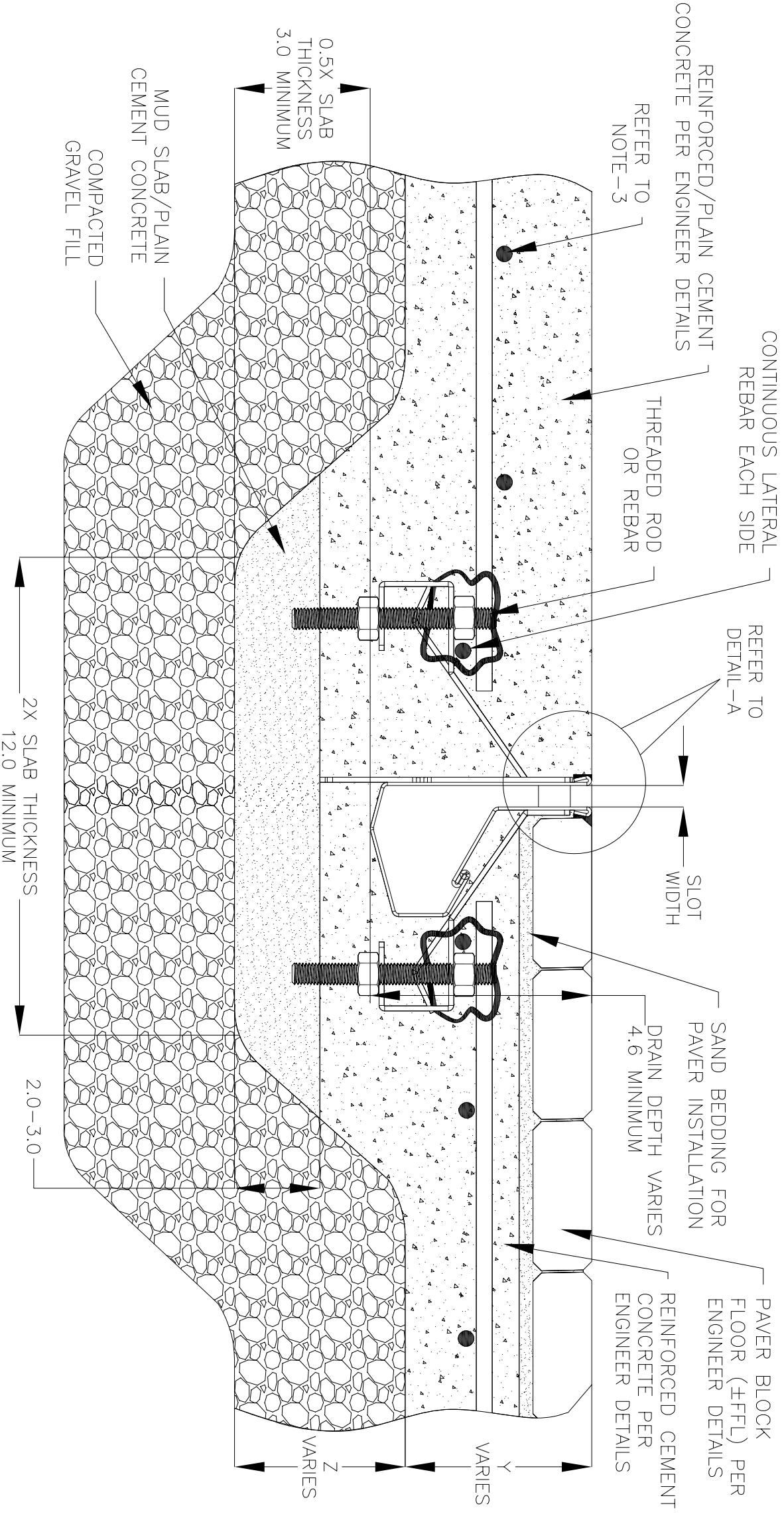
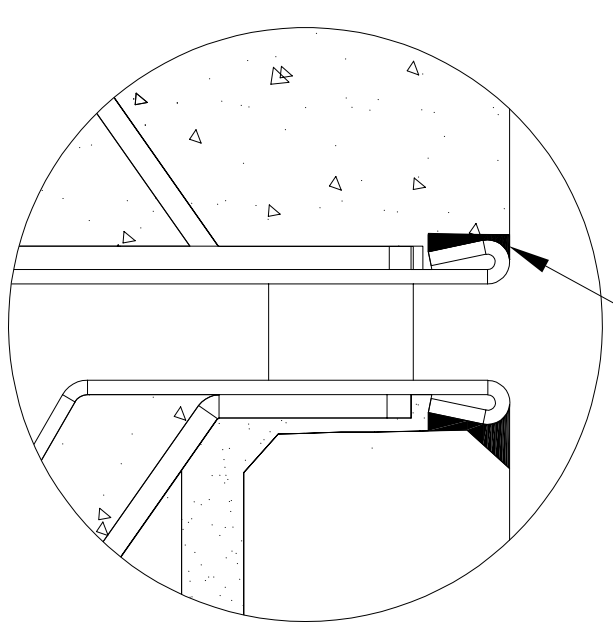
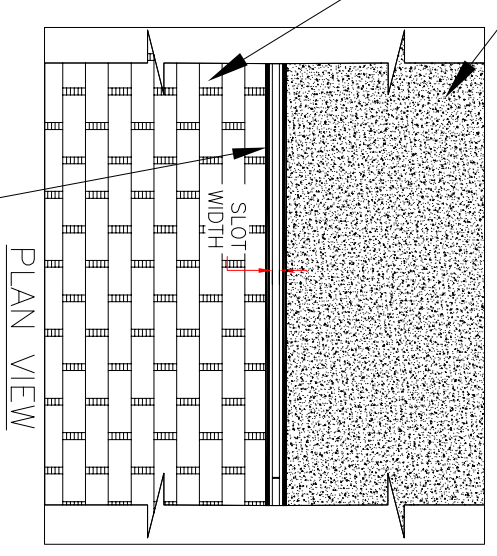


NOTES: UNLESS OTHERWISE SPECIFIED

1. ALL DIMENSIONS ARE IN INCHES.
2. DRAIN BODY MATERIAL: 14GA STAINLESS STEEL T304/T316
3. SPECIFYING ENGINEER IS RESPONSIBLE FOR CONCRETE ENCASUREMENT AND REINFORCING BASED UPON APPLICATION AND LOCAL CODES.
4. REFER TO <https://info.slotdrainsystems.com/installresources> FOR INSTALLATION INSTRUCTIONS.



4000 SERIES SLOT DRAIN FLOOR INSTALLATION DETAILS



REVISIONS		DATE	BY
0	INITIAL RELEASE - RO	4/26/2019	DK
1	UPDATED THE LEVELER DETAILS	3/19/2020	DK
2	UPDATED THE DRAIN LAYOUT	7/14/2021	DK

ALL DRAWINGS ARE THE EXCLUSIVE PROPERTY OF SLOT DRAIN SYSTEMS. ANY REPRODUCTION IN PART OR IN WHOLE IS PROHIBITED WITHOUT PROPER CONSENT.

SLOT DRAIN
SYSTEMS

855.497.7508
info@slotdrainsystems.com
www.slotdrainsystems.com

DRAWING TITLE		PAVER BLOCK+CONCRETE-NEW CONSTRUCTION FLOOR INSTALL	
DRAIN SERIES		4000 SERIES SLOT DRAIN	
DWG NO.	SIZE	SCALE	SHEET
IN-SD4000-012-R2	B	NTS	1 OF 1
REV.			2