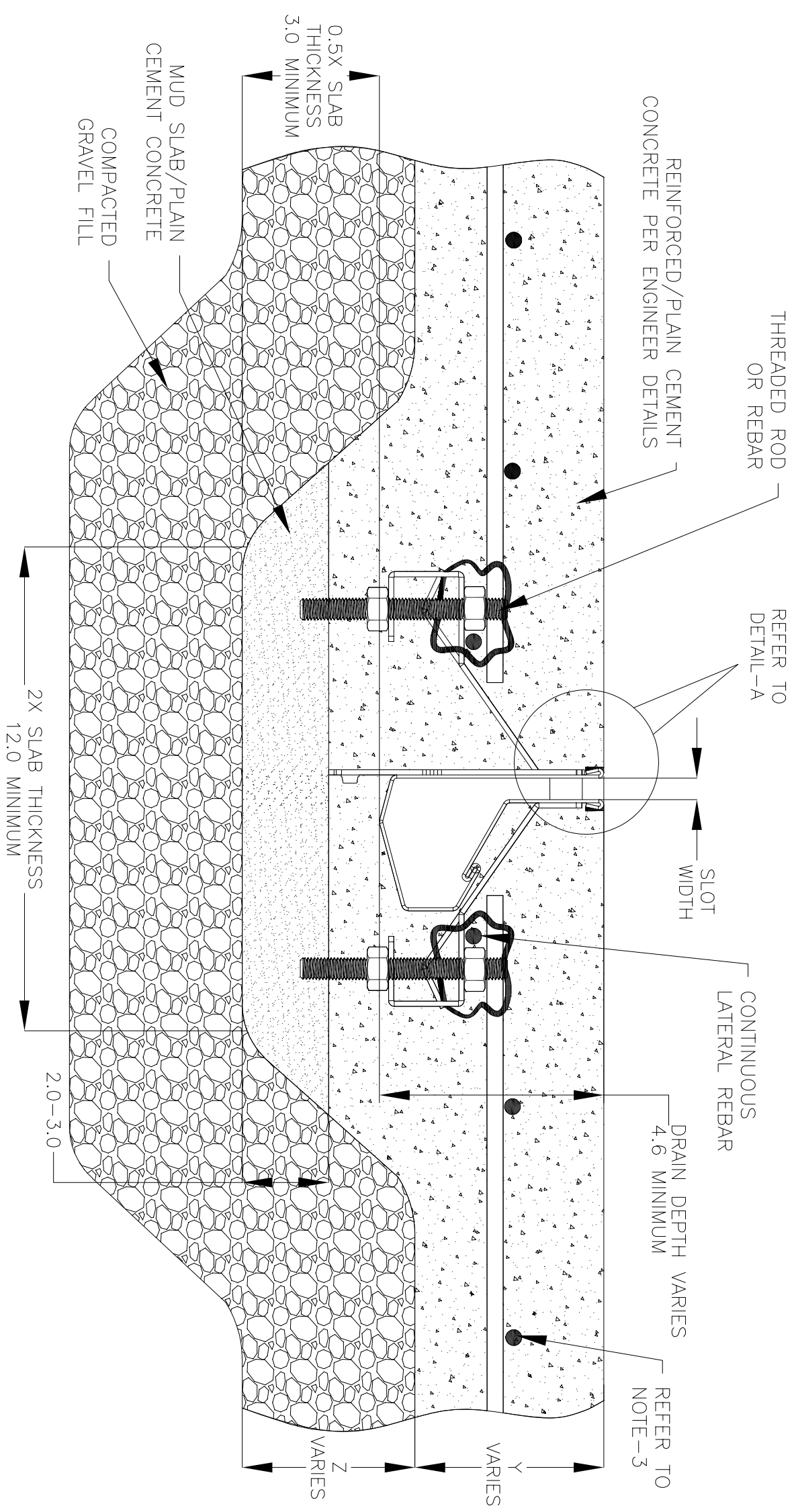
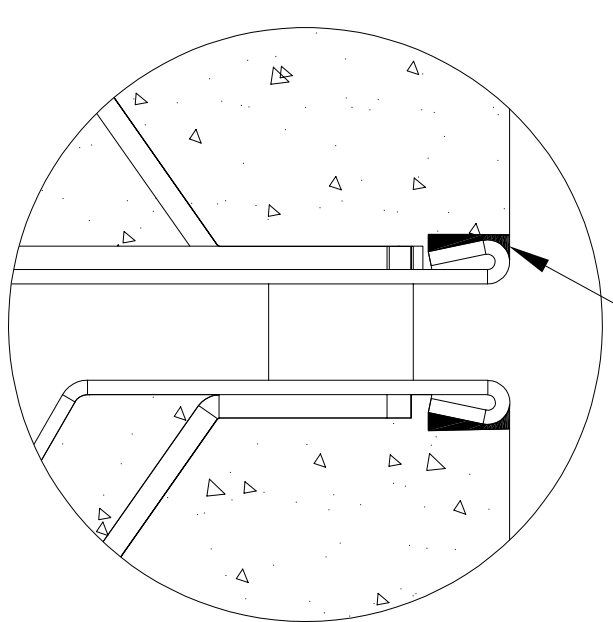
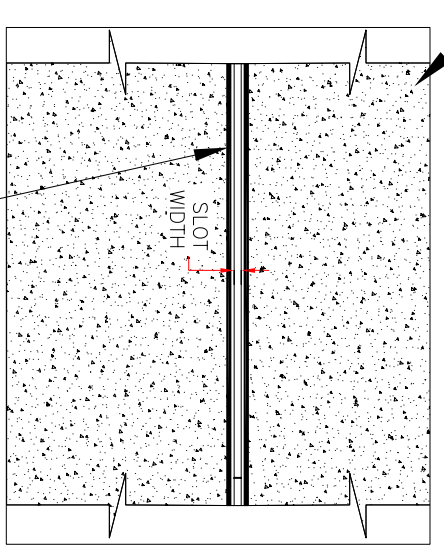


NOTES: UNLESS OTHERWISE SPECIFIED

1. ALL DIMENSIONS ARE IN INCHES.
2. DRAIN BODY MATERIAL: 1 4GA STAINLESS STEEL T304/T316
3. SPECIFYING ENGINEER IS RESPONSIBLE FOR CONCRETE ENCASUREMENT AND REINFORCING BASED UPON APPLICATION AND LOCAL CODES.
4. REFER TO <https://info.slotdrainsystems.com/installresources> FOR INSTALLATION INSTRUCTIONS.



REINFORCED/PLAIN CEMENT CONCRETE SLAB (±FFL) PER ENGINEER DETAILS



4000 SERIES SLOT DRAIN FLOOR INSTALLATION DETAILS

DETAIL-A

REVISIONS		DATE	BY
REV	DESCRIPTION	4/26/2019	DK
0	INITIAL RELEASE - RO	3/19/2020	DK
1	UPDATED THE LEVELER DETAILS	7/14/2021	DK
2	UPDATED THE DRAIN LAYOUT		

SLOT DRAIN SYSTEMS
 855.497.7508
 info@slotdrainsystems.com
 www.slotdrainsystems.com

DRAWING TITLE			
CONCRETE-NEW CONSTRUCTION FLOOR INSTALLATION			
DRAIN SERIES	4000 SERIES SLOT DRAIN	REV.	2
DWG NO.	IN-SD4000-011-R2	SIZE	B
		SCALE	NTS
		SHEET	1 OF 1

ALL DRAWINGS ARE THE EXCLUSIVE PROPERTY OF SLOT DRAIN SYSTEMS. ANY REPRODUCTION IN PART OR IN WHOLE IS PROHIBITED WITHOUT PROPER CONSENT.