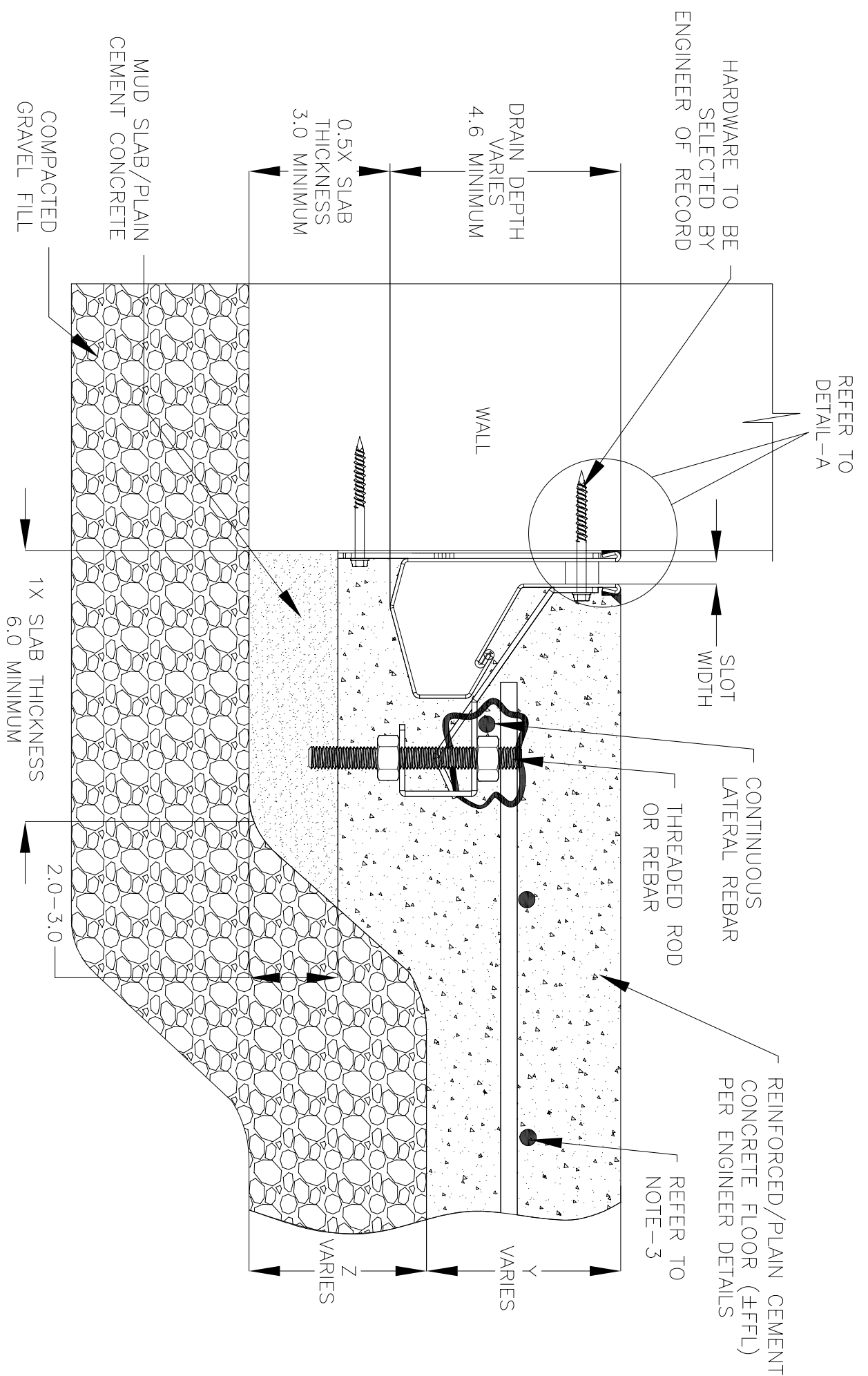


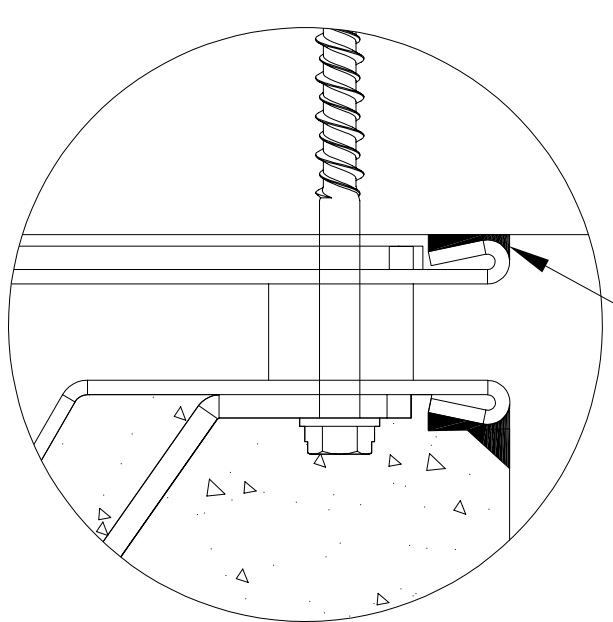
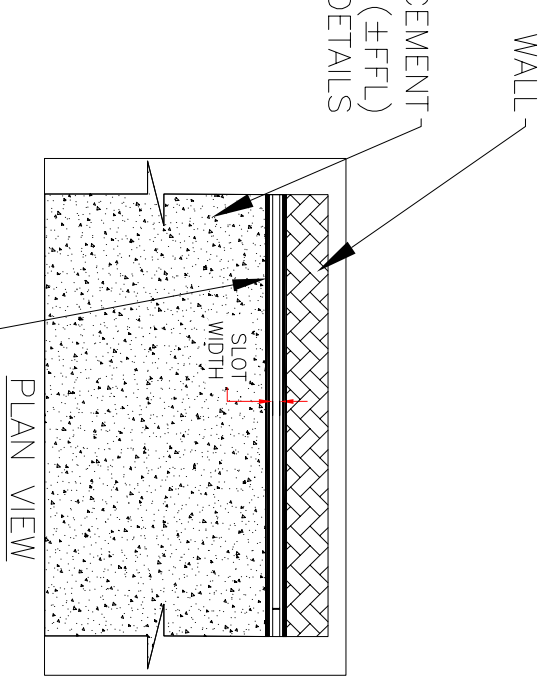
NOTES: UNLESS OTHERWISE SPECIFIED

1. ALL DIMENSIONS ARE IN INCHES.
2. DRAIN BODY MATERIAL: 1 4GA STAINLESS STEEL T304/T316
3. SPECIFYING ENGINEER IS RESPONSIBLE FOR CONCRETE ENCASUREMENT AND REINFORCING BASED UPON APPLICATION AND LOCAL CODES.
4. REFER TO <https://info.slotdrainsystems.com/installresources> FOR INSTALLATION INSTRUCTIONS.



4000 SERIES SLOT DRAIN WALL INSTALLATION DETAILS

REINFORCED/PLAIN CEMENT CONCRETE SLAB (±FFL) PER ENGINEER DETAILS



DETAIL-A

REVISIONS		DATE	BY
REV	DESCRIPTION		
0	INITIAL RELEASE - RO	4/26/2019	DK
1	UPDATED THE LEVELER & WALL CONNECTION	3/19/2020	DK
2	UPDATED THE DRAIN LAYOUT	7/14/2021	DK

ALL DRAWINGS ARE THE EXCLUSIVE PROPERTY OF SLOT DRAIN SYSTEMS. ANY REPRODUCTION IN PART OR IN WHOLE IS PROHIBITED WITHOUT PROPER CONSENT.			
DWG NO.	SIZE	SCALE	SHEET
IN-SD4000-002-R2	B	NTS	1 OF 1

**SLOT DRAIN SYSTEMS**  
 855.497.7508  
 info@slotdrainsystems.com  
 www.slotdrainsystems.com

DRAWING TITLE  
 CONCRETE FLOOR-NEW CONSTRUCTION WALL INSTALLATION  
 DRAIN SERIES  
 4000 SERIES SLOT DRAIN  
 REV.  
 2