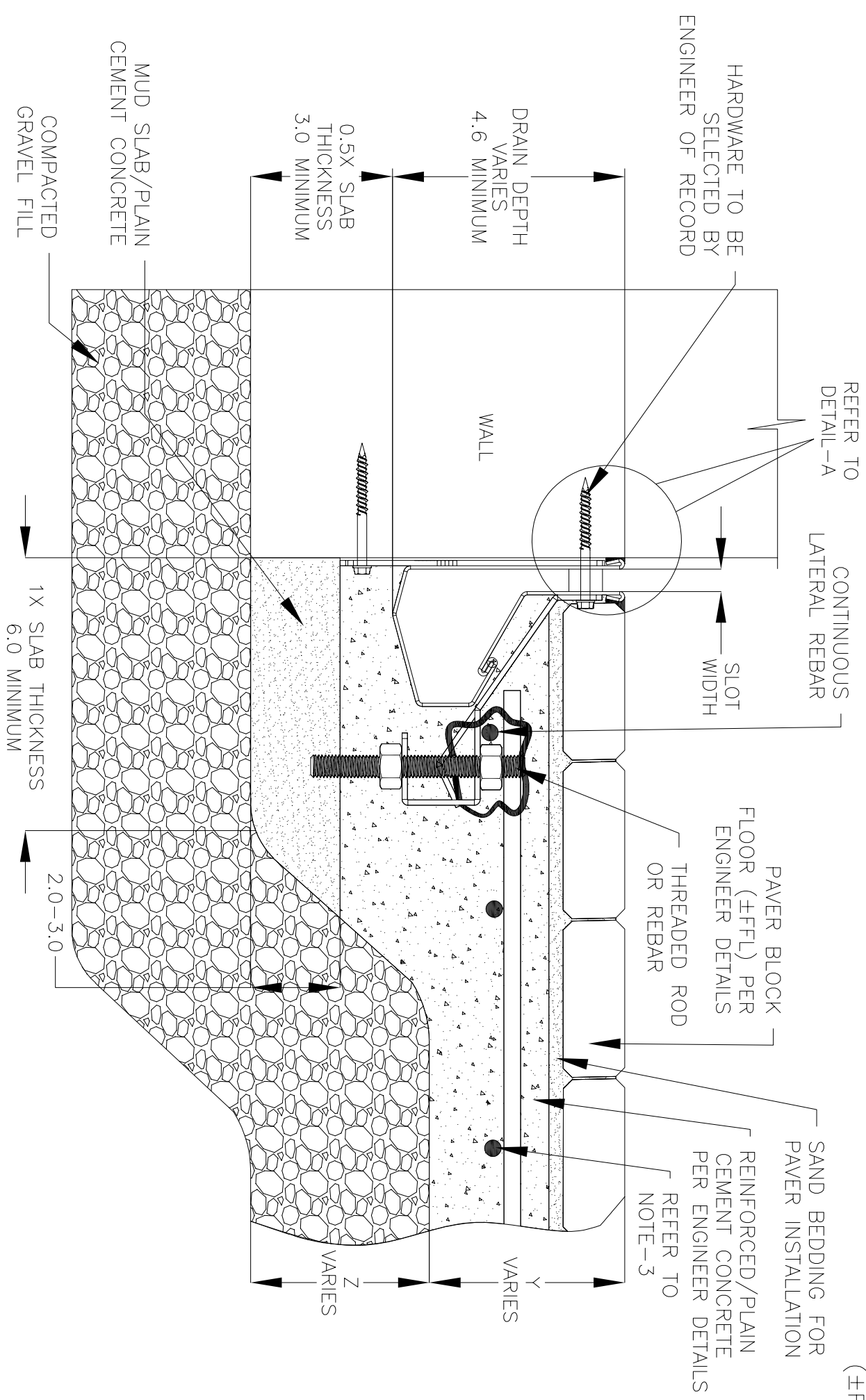


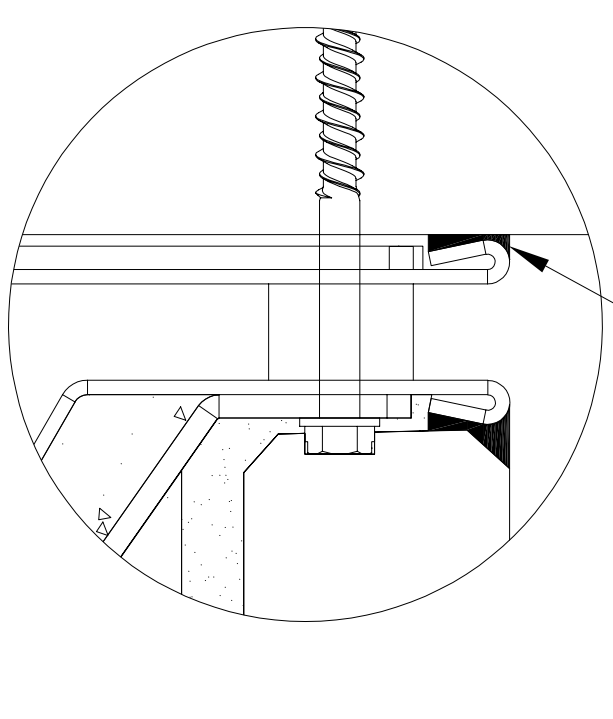
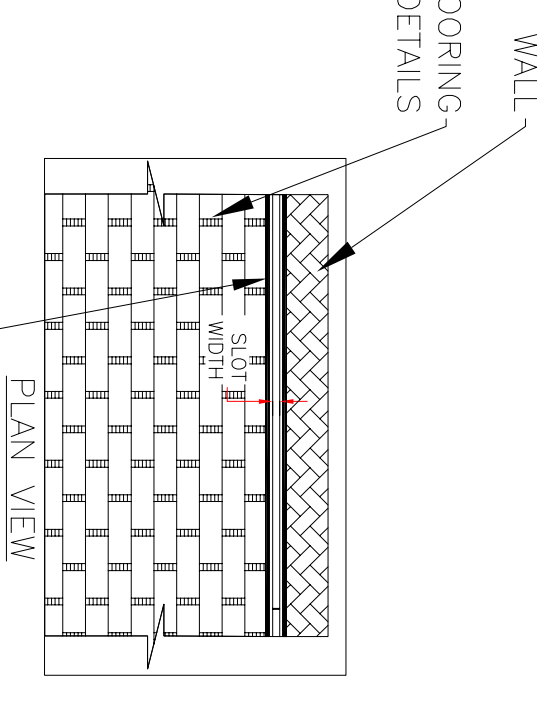
NOTES: UNLESS OTHERWISE SPECIFIED

1. ALL DIMENSIONS ARE IN INCHES.
2. DRAIN BODY MATERIAL: 14GA STAINLESS STEEL T304/T316
3. SPECIFYING ENGINEER IS RESPONSIBLE FOR CONCRETE ENCASUREMENT AND REINFORCING BASED UPON APPLICATION AND LOCAL CODES.
4. REFER TO <https://info.slotdrainsystems.com/installresources> FOR INSTALLATION INSTRUCTIONS.



4000 SERIES SLOT DRAIN WALL INSTALLATION DETAILS

REVISIONS		DATE	BY
0	INITIAL RELEASE - RO	4/26/2019	DK
1	UPDATED THE LEVELER & WALL CONNECTION	3/19/2020	DK
2	UPDATED THE DRAIN LAYOUT	7/14/2021	DK



DETAIL-A

**SLOT DRAIN**  
SYSTEMS

855.497.7508  
info@slotdrainsystems.com  
www.slotdrainsystems.com

DRAWING TITLE  
PAVER BLOCK FLOOR-NEW CONSTRUCTION WALL INSTALLATION

DRAIN SERIES  
4000 SERIES SLOT DRAIN

DWG NO.  
IN-SD4000-001-R2

SIZE  
B

SCALE  
NTS

SHEET  
1 OF 1

REV.  
2

ALL DRAWINGS ARE THE EXCLUSIVE PROPERTY OF SLOT DRAIN SYSTEMS. ANY REPRODUCTION IN PART OR IN WHOLE IS PROHIBITED WITHOUT PROPER CONSENT.