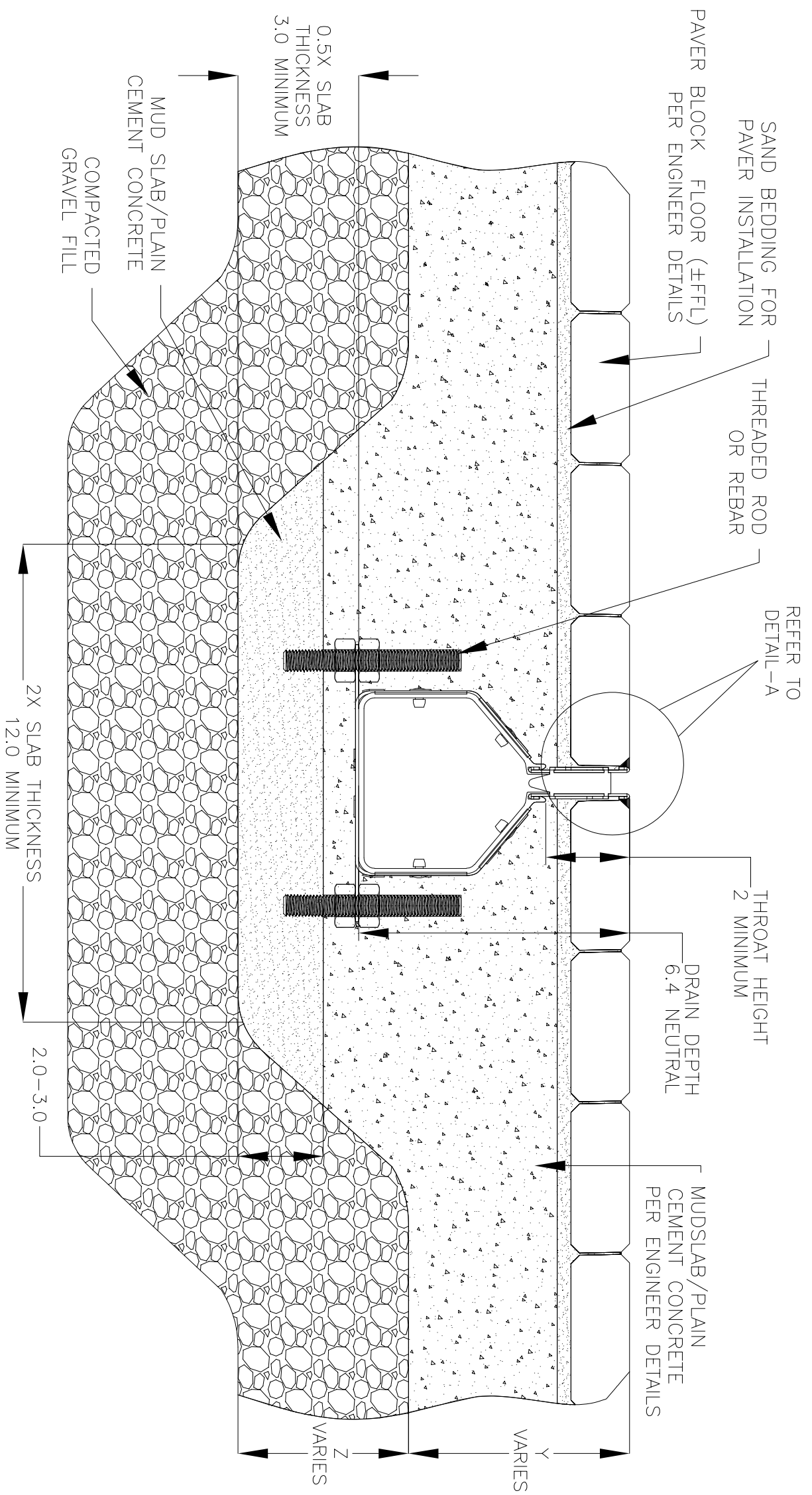
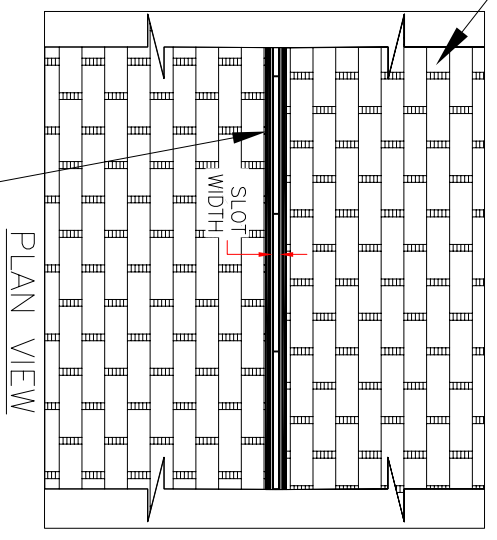


NOTES: UNLESS OTHERWISE SPECIFIED

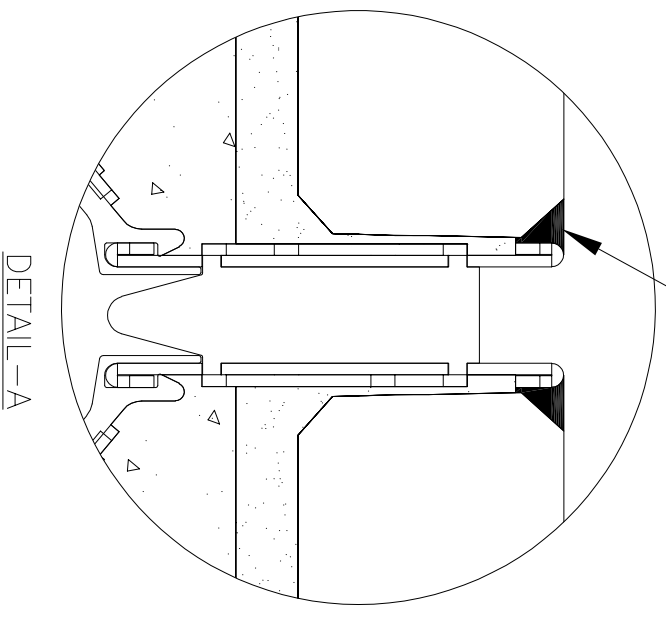
1. ALL DIMENSIONS ARE IN INCHES.
2. DRAIN THROAT MATERIAL: STAINLESS STEEL T304/T316
3. DRAIN BODY MATERIAL: HIGH END PLASTIC
4. SPECIFYING ENGINEER IS RESPONSIBLE FOR CONCRETE ENCASEMENT AND REINFORCING BASED UPON APPLICATION AND LOCAL CODES.
5. REFER TO <https://info.slotdrainsystems.com/installresources> FOR INSTALLATION INSTRUCTIONS.



PAVER BLOCK FLOORING
(±FFL) PER ENGINEER DETAILS



SEALANT BETWEEN
±FFL AND DRAIN TOP



3000 SERIES SLOT DRAIN INSTALLATION DETAILS

REVISIONS		DATE	BY
REV	DESCRIPTION	12/8/2019	DK
0	INITIAL RELEASE - R0		
1	UPDATED THE DRAIN LAYOUT	7/14/2021	DK

SLOT DRAIN SYSTEMS
855.497.7508
info@slotdrainsystems.com
www.slotdrainsystems.com

DRAWING TITLE			
PAVER BLOCK-NEW CONSTRUCTION INSTALLATION			
DRAIN SERIES	3000 SERIES SLOT DRAIN	REV.	1
DWG NO.	IN-SD3000-001-R1	SIZE	B
		SCALE	NTS
		SHEET	1 OF 1

ALL DRAWINGS ARE THE EXCLUSIVE PROPERTY OF SLOT DRAIN SYSTEMS. ANY REPRODUCTION IN PART OR IN WHOLE IS PROHIBITED WITHOUT PROPER CONSENT.