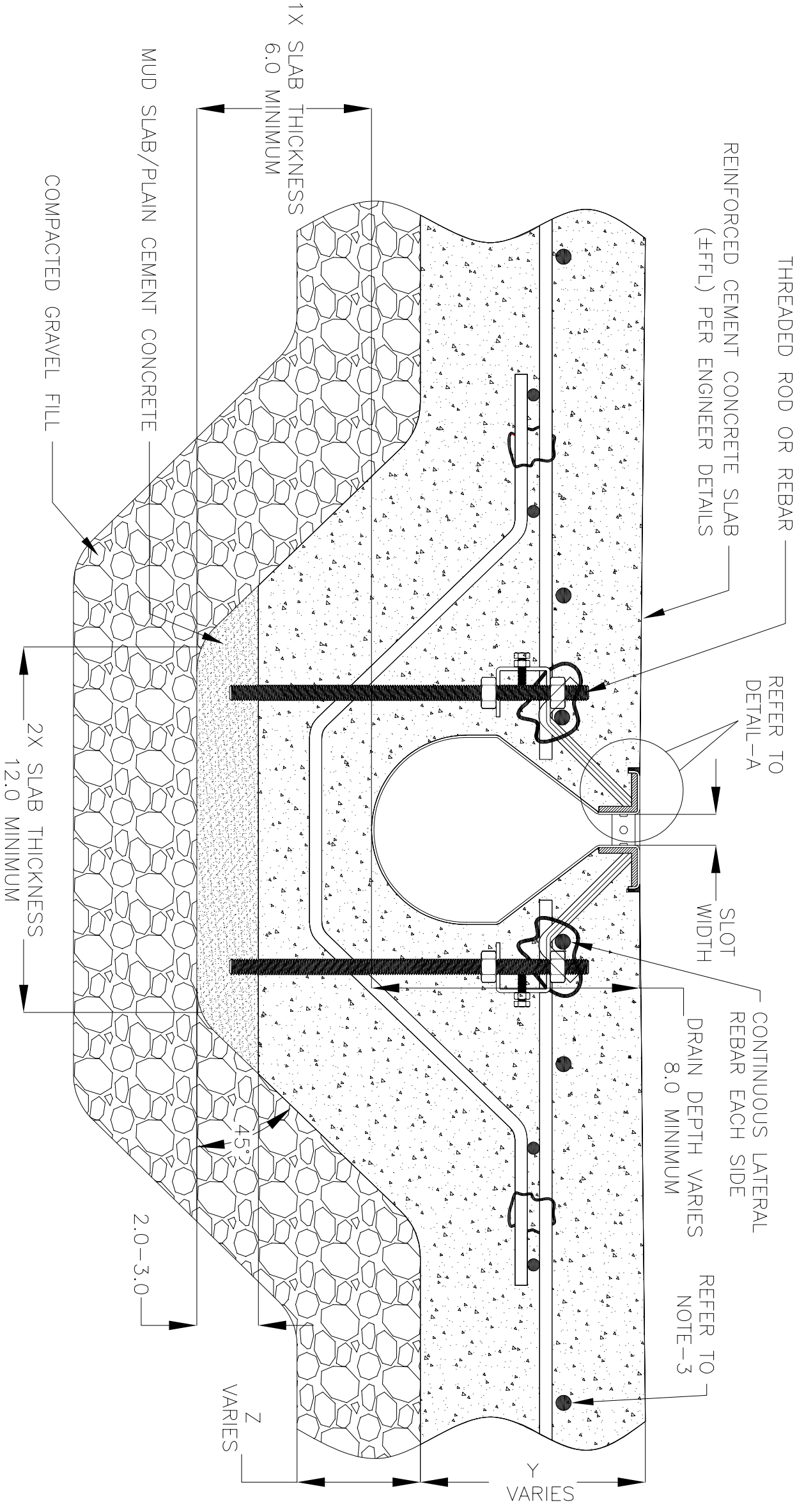


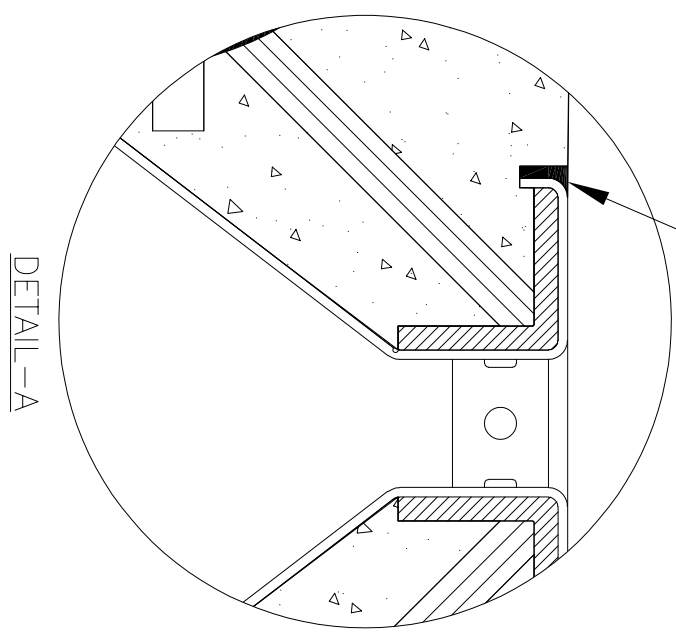
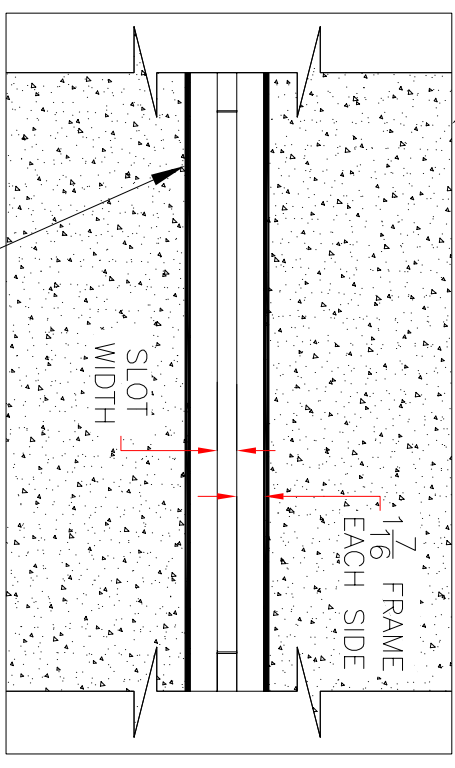
NOTES: UNLESS OTHERWISE SPECIFIED

1. ALL DIMENSIONS ARE IN INCHES.
2. DRAIN BODY MATERIAL: 14GA STAINLESS STEEL T304/T316
3. SPECIFYING ENGINEER IS RESPONSIBLE FOR CONCRETE ENCASUREMENT AND REINFORCING BASED UPON APPLICATION AND LOCAL CODES.
4. REFER TO <https://info.slotdrainsystems.com/installresources> FOR INSTALLATION INSTRUCTIONS.



10000 SERIES SLOT DRAIN INSTALLATION DETAILS

REINFORCED CEMENT CONCRETE SLAB (±FFL) PER ENGINEER DETAILS



| REVISIONS | | | |
|-----------|---------------------------|-----------|----|
| REV | DESCRIPTION | DATE | BY |
| 0 | INITIAL RELEASE - R0 | 6/8/2019 | DK |
| 1 | UPDATED DRAIN SECTIONS. | 12/2/2019 | DK |
| 2 | UPDATED DRAIN LAYOUT | 12/2/2020 | DK |
| 3 | UPDATED THE REBAR DETAILS | 7/13/2021 | DK |

ALL DRAWINGS ARE THE EXCLUSIVE PROPERTY OF SLOT DRAIN SYSTEMS. ANY REPRODUCTION IN PART OR IN WHOLE IS PROHIBITED WITHOUT PROPER CONSENT.

SLOT DRAIN SYSTEMS
 855.497.7508
 info@slotdrainsystems.com
 www.slotdrainsystems.com

| | | | |
|--|-------------------------|-------|--------|
| DRAWING TITLE | | | |
| CONCRETE FLOOR-NEW CONSTRUCTION INSTALLATION | | | |
| DRAIN SERIES | 10000 SERIES SLOT DRAIN | REV. | 3 |
| DWG NO. | IN-SD10000-003-R3 | SIZE | B |
| | | SCALE | NTS |
| | | SHEET | 1 OF 1 |