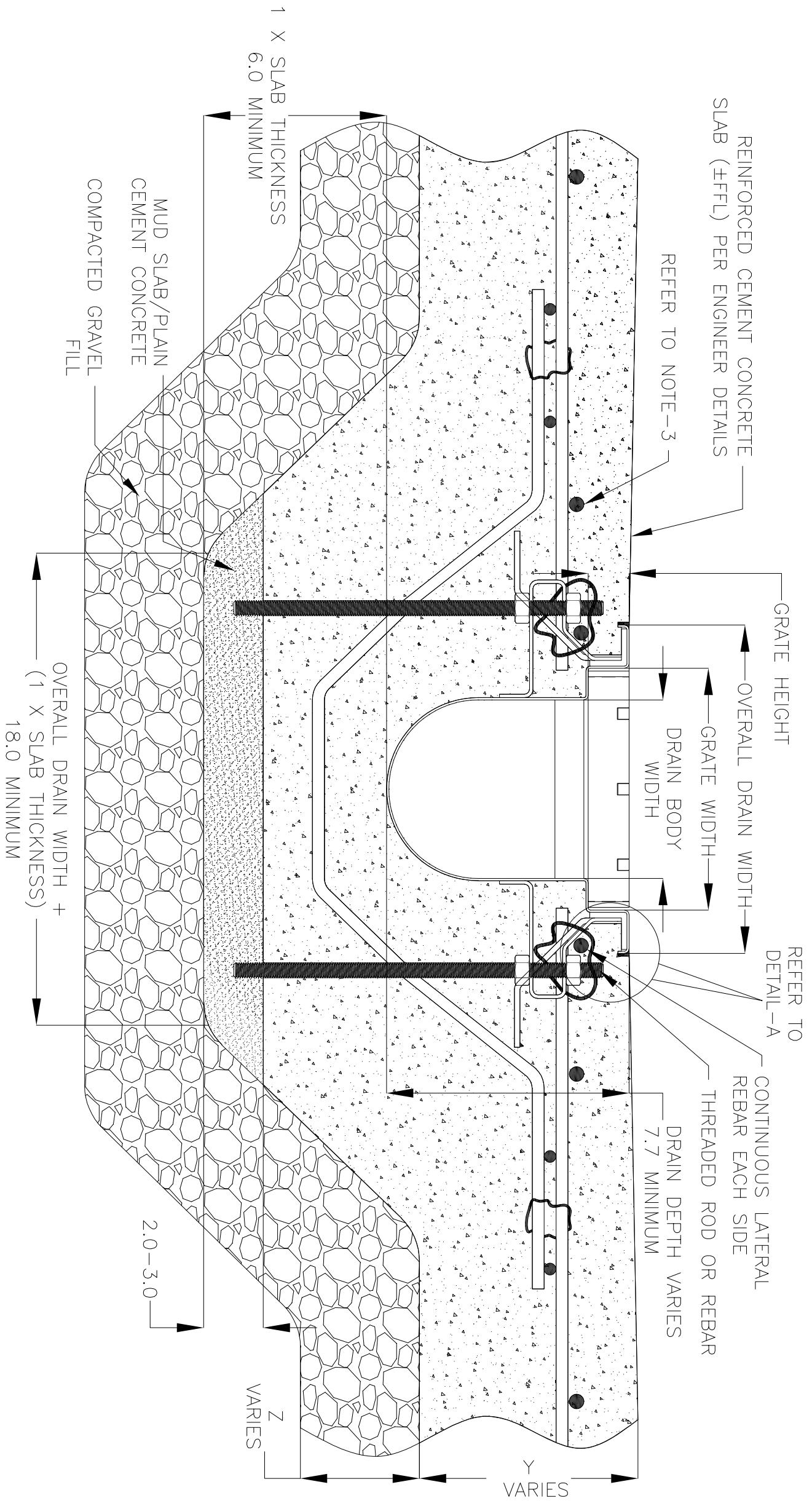
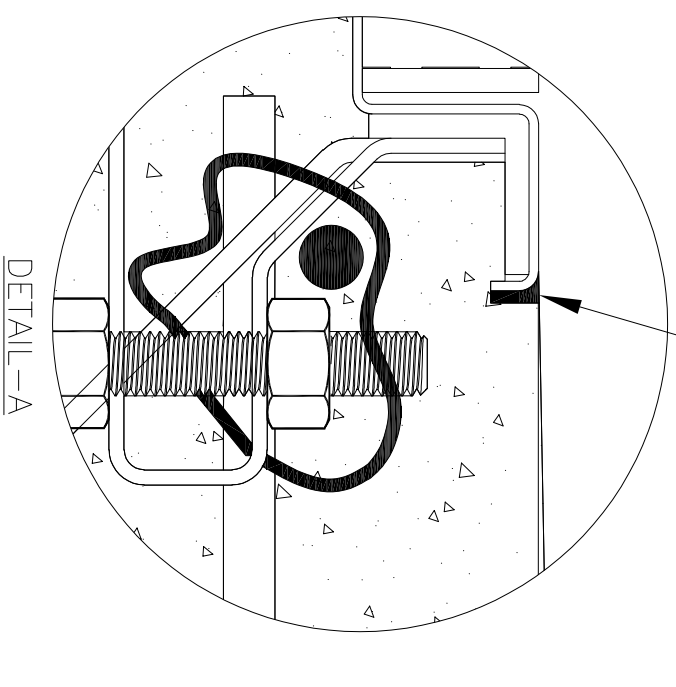
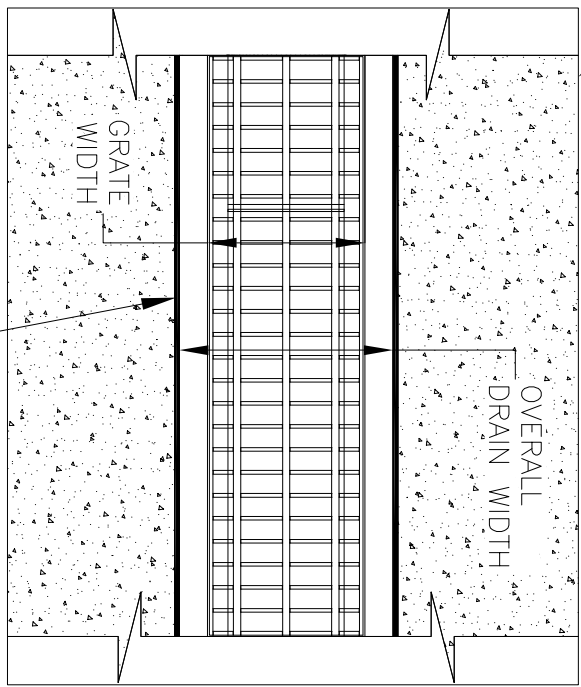


NOTES: UNLESS OTHERWISE SPECIFIED

1. ALL DIMENSIONS ARE IN INCHES.
2. DRAIN BODY MATERIAL: 14GA STAINLESS STEEL T304/T316
3. GRATING: PLAIN/SERRATED BAR GRATING, UPTO 'E' LOAD CLASS AVAILABLE.
4. SPECIFYING ENGINEER IS RESPONSIBLE FOR CONCRETE ENCASUREMENT AND REINFORCING BASED UPON APPLICATION AND LOCAL CODES.
5. REFER TO <https://info.slotdrainsystems.com/installresources> FOR INSTALLATION INSTRUCTIONS.



REINFORCED CEMENT CONCRETE SLAB (±FFL) PER ENGINEER DETAILS



FOOD SAFE ROUND BOTTOM TRENCH DRAIN INSTALLATION DETAILS

REVISIONS		DATE	BY
REV	DESCRIPTION		
0	INITIAL RELEASE - R0	2/3/2020	DK
1	UPDATED DRAIN LAYOUT & REBAR DETAILS	9/14/2021	DK

ALL DRAWINGS ARE THE EXCLUSIVE PROPERTY OF SLOT DRAIN SYSTEMS. ANY REPRODUCTION IN PART OR IN WHOLE IS PROHIBITED WITHOUT PROPER CONSENT.

SLOT DRAIN
SYSTEMS

855.497.7508
info@slotdrainsystems.com
www.slotdrainsystems.com

DRAWING TITLE		CONCRETE FLOOR-NEW CONSTRUCTION INSTALLATION	
DRAIN SERIES		FOOD SAFE ROUND BOTTOM TRENCH DRAIN	
DWG NO.	SIZE	SCALE	SHEET
IN-FTR-002-R1	B	NTS	1 OF 1
REV.			1