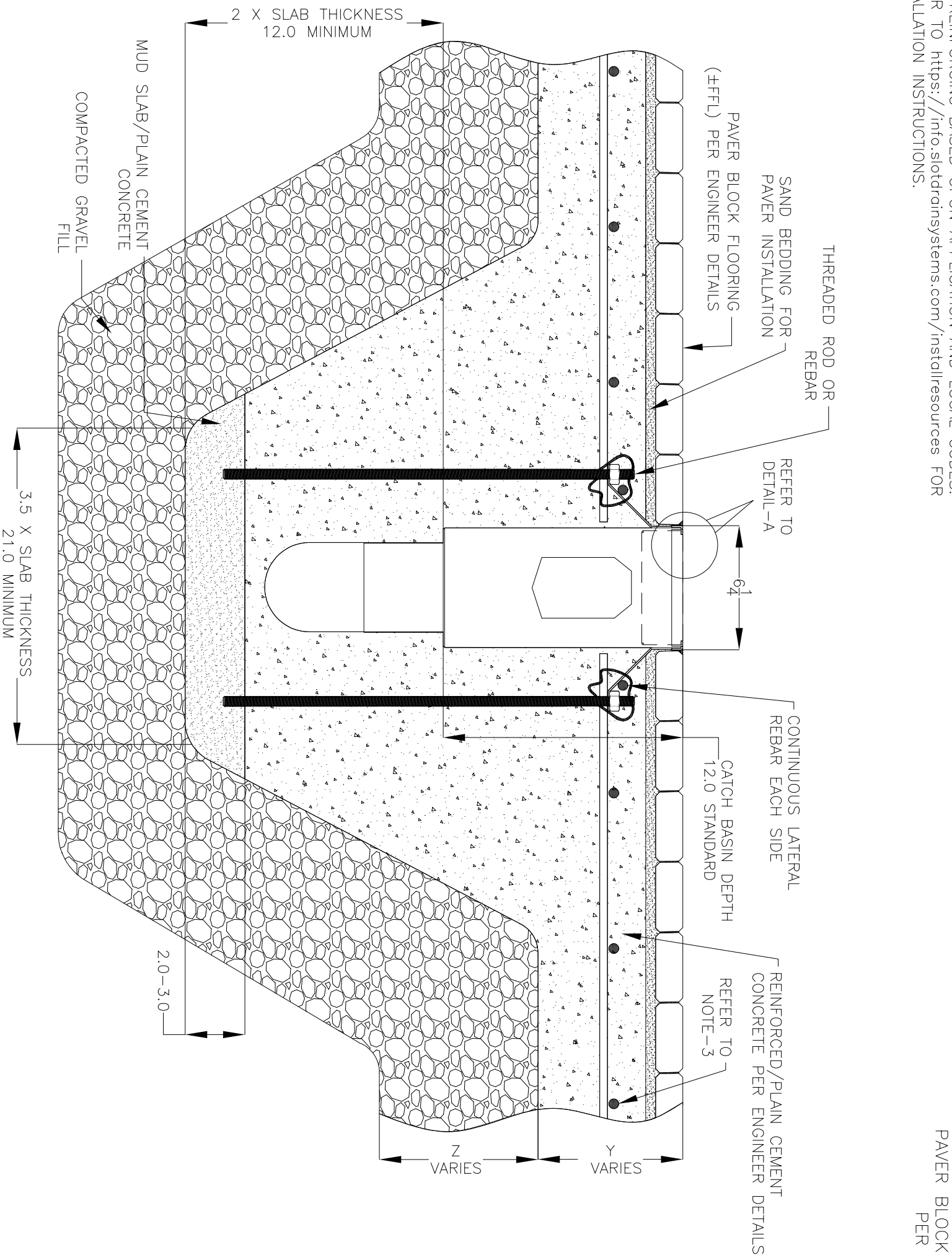
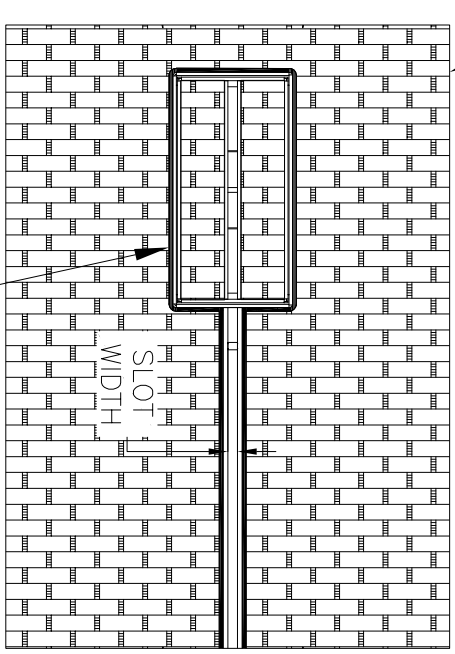


NOTES: UNLESS OTHERWISE SPECIFIED

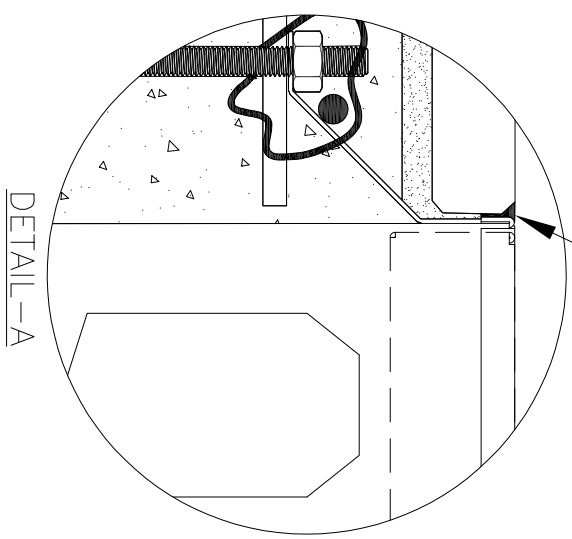
1. ALL DIMENSIONS ARE IN INCHES.
2. CATCH BASIN BODY MATERIAL: 14GA STAINLESS STEEL T304/T316
3. SPECIFYING ENGINEER IS RESPONSIBLE FOR CONCRETE ENCASEMENT AND REINFORCING BASED UPON APPLICATION AND LOCAL CODES.
4. REFER TO <https://info.slotdrainsystems.com/installresources> FOR INSTALLATION INSTRUCTIONS.



PAVER BLOCK FLOORING (FFFL) PER ENGINEER DETAILS



SEALANT BETWEEN FFFL AND CATCH BASIN TOP



6X12X12 NON FG CATCH BASIN INSTALLATION DETAILS

REVISIONS		DATE	BY
REV	DESCRIPTION	DATE	BY
0	INITIAL RELEASE - RO	11/20/2019	DK
1	UPDATED DRAWING LAYOUT & REBAR DETAILS	7/14/2021	DK

SLOT DRAIN SYSTEMS
855.497.7508
info@slotdrainsystems.com
www.slotdrainsystems.com

DRAWING TITLE: PAVEN BLOCK FLOOR-NEW CONSTRUCTION INSTALLATION
DRAIN SERIES: 6X12X12 NON FG CATCH BASIN WITH PANLID
DWG NO: IN-6X12X12PITPANLID-003-R1
SIZE: B
SCALE: NTS
SHEET: 1 OF 1
REV.:

ALL DRAWINGS ARE THE EXCLUSIVE PROPERTY OF SLOT DRAIN SYSTEMS. ANY REPRODUCTION IN PART OR IN WHOLE IS PROHIBITED WITHOUT PROPER CONSENT.