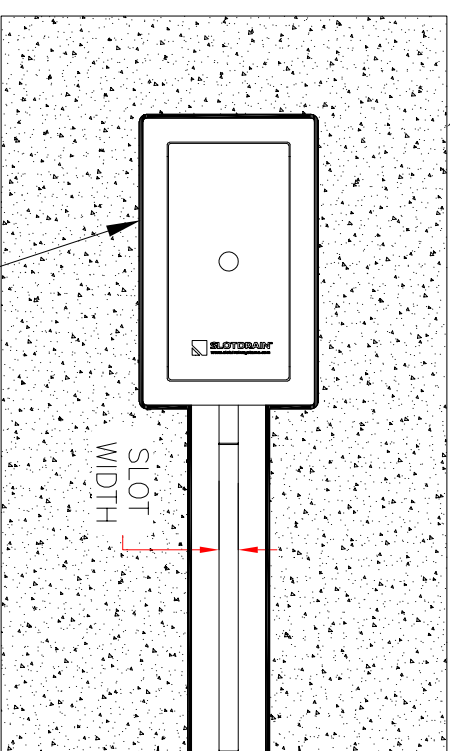
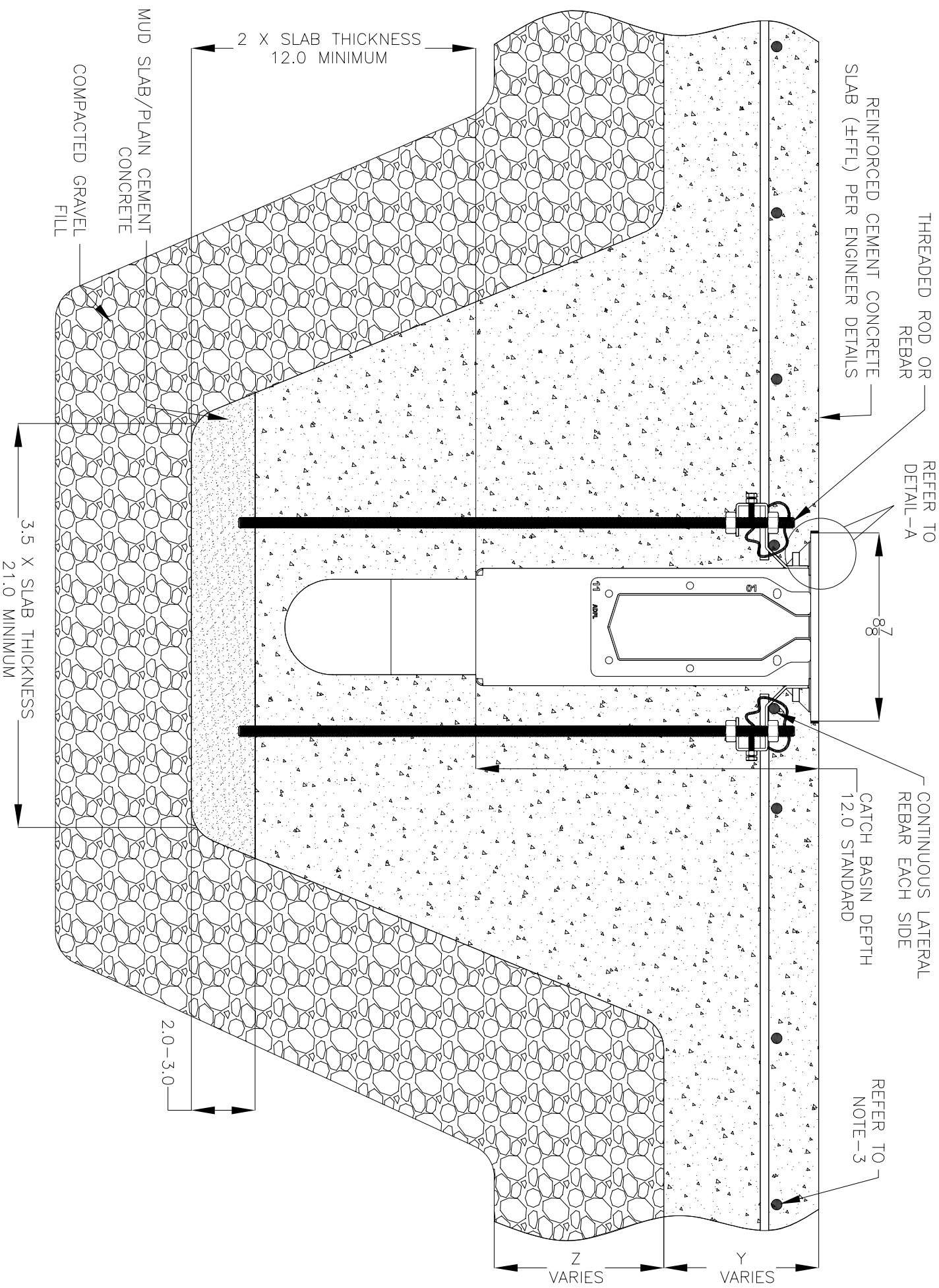


NOTES: UNLESS OTHERWISE SPECIFIED

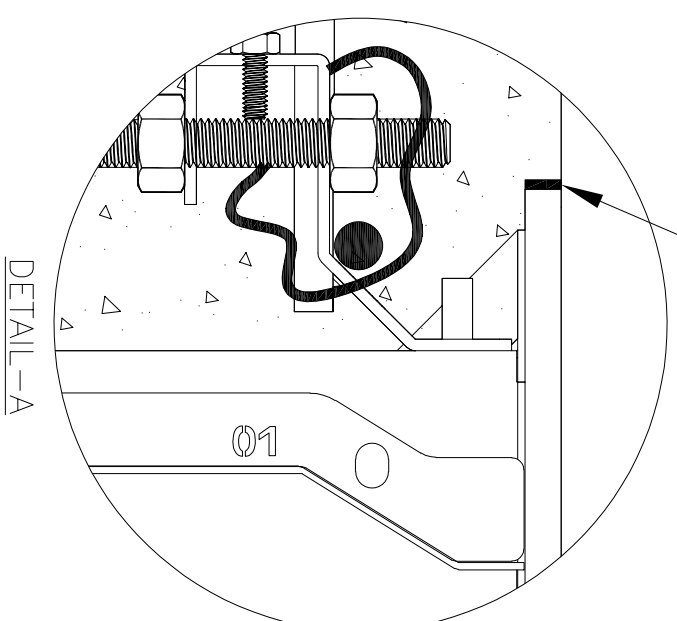
1. ALL DIMENSIONS ARE IN INCHES.
2. CATCH BASIN BODY MATERIAL: 14GA STAINLESS STEEL T304/T316
3. SPECIFYING ENGINEER IS RESPONSIBLE FOR CONCRETE ENCASEMENT AND REINFORCING BASED UPON APPLICATION AND LOCAL CODES.
4. REFER TO <https://info.slotdrainsystems.com/installresources> FOR INSTALLATION INSTRUCTIONS.

REINFORCED CEMENT CONCRETE SLAB
(±FFL) PER ENGINEER DETAILS

REVISIONS		DATE	BY
REV	DESCRIPTION		
0	INITIAL RELEASE - RO	11/20/2019	DK
1	UPDATED DRAWING LAYOUT & REBAR DETAILS	7/14/2021	DK



SEALANT BETWEEN ±FFL AND CATCH BASIN TOP



6X12X12 CATCH BASIN INSTALLATION DETAILS

SLOT DRAIN
SYSTEMS

855.497.7508
info@slotdrainsystems.com
www.slotdrainsystems.com

DRAWING TITLE
CONCRETE FLOOR-NEW CONSTRUCTION INSTALLATION

DRAIN SERIES

6X12X12 CATCH BASIN

DWG NO.	SIZE	SCALE	SHEET
IN-6X12X12FGPIT-001-R1	B	NTS	1 OF 1

ALL DRAWINGS ARE THE EXCLUSIVE PROPERTY OF SLOT DRAIN SYSTEMS. ANY REPRODUCTION IN PART OR IN WHOLE IS PROHIBITED WITHOUT PROPER CONSENT.