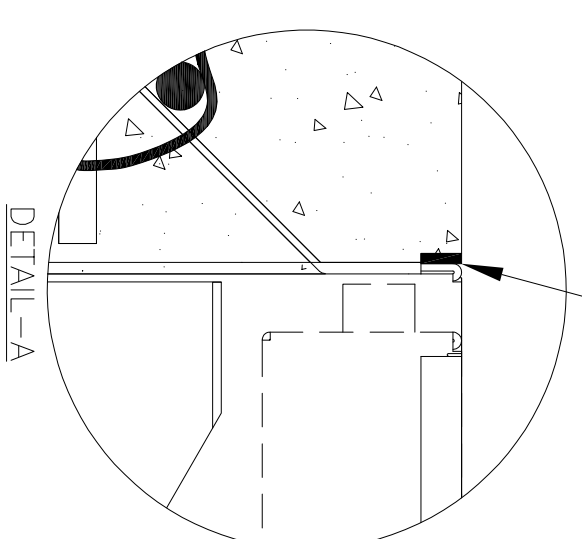
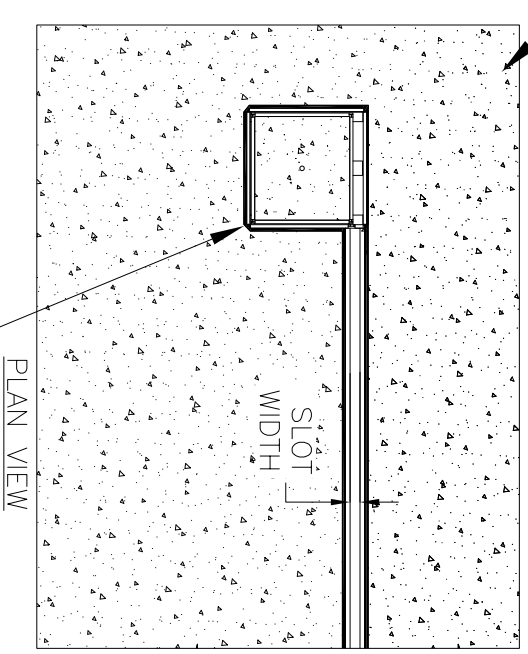
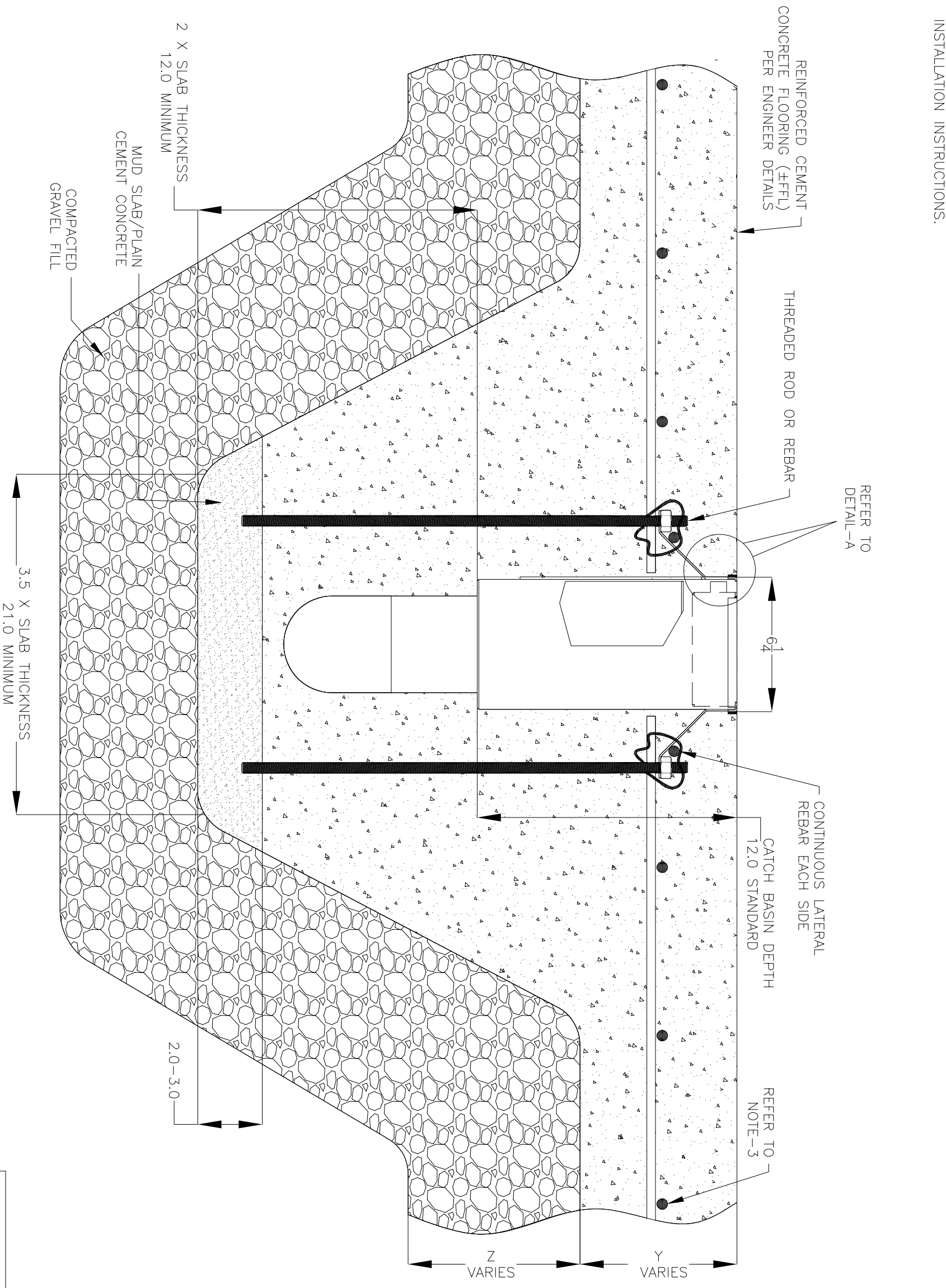


NOTES: UNLESS OTHERWISE SPECIFIED

1. ALL DIMENSIONS ARE IN INCHES.
2. CATCH BASIN BODY MATERIAL: 14GA STAINLESS STEEL T304/T316
3. SPECIFYING ENGINEER IS RESPONSIBLE FOR CONCRETE ENCASEMENT AND REINFORCING BASED UPON APPLICATION AND LOCAL CODES.
4. REFER TO <https://info.slotdrainsystems.com/installresources> FOR INSTALLATION INSTRUCTIONS.

REINFORCED CEMENT CONCRETE FLOORING  
(FFFL) PER ENGINEER DETAILS

REVISIONS		DATE	BY
REV	DESCRIPTION		
0	INITIAL RELEASE - R0	11/20/2019	DK
1	UPDATED DRAWING LAYOUT & REBAR DETAILS	7/14/2021	DK



6X6X12 NON FG 4000 CATCH BASIN INSTALLATION DETAILS

ALL DRAWINGS ARE THE EXCLUSIVE PROPERTY OF SLOT DRAIN SYSTEMS. ANY REPRODUCTION IN PART OR IN WHOLE IS PROHIBITED WITHOUT PROPER CONSENT.

**SLOT DRAIN SYSTEMS**  
855.497.7508  
info@slotdrainsystems.com  
www.slotdrainsystems.com

DRAWING TITLE		CONCRETE FLOOR-NEW CONSTRUCTION FLOOR INSTALL	
DRAIN SERIES		6X6X12 NON FG 4000 CATCH BASIN WITH PANLID	
DWG NO.	SIZE	SCALE	SHEET
IN-4000-6X6X12PITPANLID-011-R1	B	NTS	1 OF 1
REV.		1	