

**SPECIFICATIONS**
**GENERAL:**

The surface drainage system shall be 9000 Series Slot Drain complete with slotted linear trench opening as manufactured by Slot Drain Systems.

**MATERIALS:**

T304 Stainless Steel, T316 Stainless Steel, Galvanized Steel, Fiberglass

**SLOPE:**

0.5% Standard

**DESIGN OPTIONS:**

Material (\$): SS304(5), SS316(6), GS(0), FG(1)  
 Slot Opening (#): ½" (0), 1" (1), 1 ¼" (5)  
 End (\*): Open (0), End Cap (1), Flush Nipple (5)  
 Section Lengths: Full 9'8", Half 4'10"  
 Typical runs start with 102 or 102B (Half Section)  
 (Customize Lengths available).

**FLOW RATE:**

½" 11 gpm (per foot of drain)  
 1 18 gpm (per foot of drain)  
 1 ¼" 27 gpm (per foot of drain)

**LOAD CLASS:**

Load Class F (10,000 lbs.)

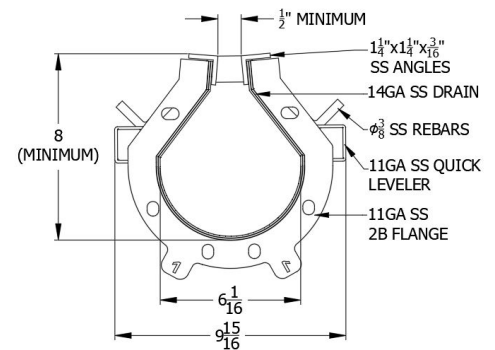
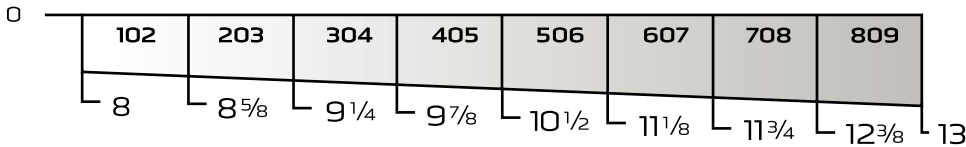
**ACCESSORIES:**

Cleaning paddle, Cleaning Brush, Flush Flo, CIP, Slot Hog, Tri-Clamp

**INSTALLATION:**

The 9000 Series Slot Drain System shall be installed in accordance with the manufacturer's installation instructions and recommendations.

TYPICAL MODULAR LAYOUT OF A 9,000 SERIES SLOT DRAIN® SYSTEM  
 (Sections fit together as illustrated below)


**DRAIN CHANNELS**

DESCRIPTION	PART NO.	INVERT SHALLOW		INVERT DEEP	
		INCHES	MM	INCHES	MM
9000 SERIES SS SLOT 102 HALF	SD9\$*-102B	8 5/16	211	8 5/8	219
9000 SERIES SS SLOT 102	SD9\$*-102	8	203	8 5/8	219
9000 SERIES SS SLOT 203	SD9\$*-203	8 5/8	219	9 1/4	234
9000 SERIES SS SLOT 304	SD9\$*-304	9 1/4	234	9 7/8	250
9000 SERIES SS SLOT 405	SD9\$*-405	9 7/8	250	10 1/2	266
9000 SERIES SS SLOT 506	SD9\$*-506	10 1/2	266	11 1/8	282
9000 SERIES SS SLOT 607	SD9\$*-607	11 1/8	282	11 3/4	298
9000 SERIES SS SLOT 708	SD9\$*-708	11 3/4	298	12 3/8	314
9000 SERIES SS SLOT 809	SD9\$*-809	12 3/8	314	13	330

**NOTE:**

Also available with 90° sections, 'T' sections, and Transition Pits for all of the depths specified above.

**CATCH BASIN**

DESCRIPTION	TOP WIDTH		TOP LENGTH		BOTTOM WIDTH		BOTTOM LENGTH		HEIGHT		OUTLET HEIGHT	
	INCHES	MM	INCHES	MM	INCHES	MM	INCHES	MM	INCHES	MM	INCHES	MM
9000 SS (OR) GS CB	12 3/8	314	12 3/8	314	12 3/8	314	12 3/8	305	20 3/16	508	4 or 6	102 - 152