

Installation and Operation Guide

Filtration Systems



Models- ATFSS6, ATFSP8, ATFSP6, ATFSSP8, ATFSV, ATFSWF

“IMPORTANT SAFETY INSTRUCTIONS”

When Installing and using this electrical equipment, basic safety precautions should always be followed, including the following:

“READ AND FOLLOW ALL INSTRUCTIONS”

WARNING – To reduce the risk of injury, do not permit children to use this product unless they are closely supervised at all times.

WARNING – Risk of Electric Shock. Connect only to a branch circuit protected by a ground fault circuit-interrupter (GFCI). Contact a qualified electrician if you cannot verify that the circuit is protected by a GFIC. The unit must be connected only to a supply circuit that is protected by a ground fault circuit interrupter (GFCI). Such a GFIC should be provided by the installer and should be tested on a routine basis. To test the GFCI push the test button. The GFIC should interrupt power. Push the reset button. Power should be restored. If the GFIC fails to operate in this manner, the GFIC is defective. If the GFIC interrupts power to the pump without the test button being pushed, a ground current is flowing, indicating the possibility of an electric shock. Do not use this pump. Disconnect the pump and have the problem corrected by a qualified service representative before using.

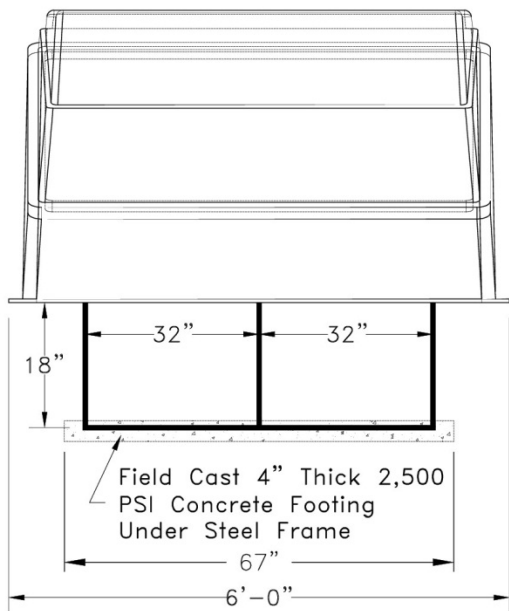
CAUTION - This Pump is for use with permanently installed pools and may also be used with hot tubs and spas if so marked. Do not use with storable pools. A permanently installed pool is constructed in or on the ground or in a building such that it cannot be readily disassembled for storage. A storage pool is constructed so that it is capable of being readily disassembled for storage and reassembled to its original integrity.

“SAVE THESE INSTRUCTIONS”

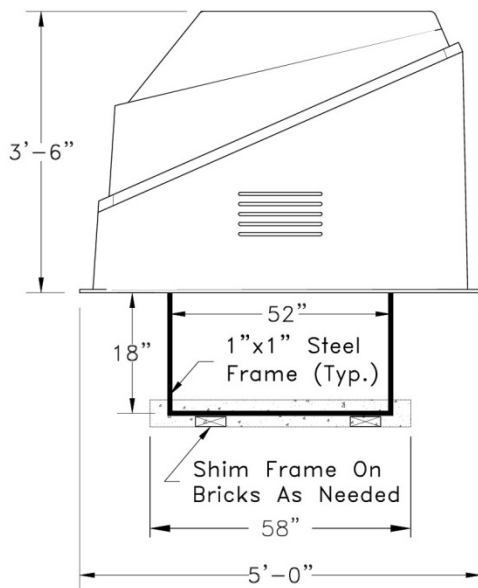
Fiberglass Maintenance

Fiberglass should be maintained on a regular basis. If the fiberglass is kept dry and away from the elements, then exposure is minimal and the fiberglass can be maintained about every 6 months or so with great results. However, if the fiberglass is kept out in the elements under constant exposure, then regular maintenance should be done every 3 months without fail. Without regular care and maintenance, fiberglass will begin to show signs of oxidizing in 4 to 12 months. Waxes cover the surface and provide a barrier between the elements and the gel coat surface. Choose a wax suitable for fiberglass, usually any regular paste car wax with UV Protectant. Regardless of the product you select, be sure to follow the application instructions to ensure that you get the best results and all the benefits that the product has to offer.

System Installation



FRONT ELEVATION



SIDE ELEVATION

ATFS SA Series Operating Instructions

TO OPERATE UNIT

START UP

Initial Start-up

1. On a new pool, clean the pool before filling the pool with water. Excessive dirt and large particles can cause damage to the pump and filter.
2. Ensure the backwash line is open so that water is free to come from the pool and flow out the backwash line. Set the valve position as follows:
 - a. If using a Multiport valve, set valve to backwash position.
 - b. If using a Two Position Slide Valve, push handle down to backwash position and engage lock by twisting handle.
3. Check pump strainer pot to be sure it is full of water.

Air entering a filter and tank closure not installed properly can cause the closure to separate and could cause severe bodily injury and/or property damage.

4. Check closure on filter for tightness.
5. Open the manual air bleeder on the filter closure. Stand clear of the filter and start the pump allowing it to prime.
6. Close the air bleeder on the closure when all the air is removed from the filter and a steady stream of water emerges.

NOTE: Pool filter sand is typically pre-washed and should not require extensive backwashing. However, the shipping process may cause excessive abrasion which could require an extended backwash cycle at initial start-up; continue to backwash until the backwash water is as clear as the pool water.

To prevent equipment damage and possible injury, always turn the pump off before changing the valve position.

7. Stop the pump. Set the valve position as follows:
 - a. If using a Multiport valve, set the valve to the filter position.
 - b. If using the Two Position Slide Valve, raise the handle to filter position and engage valve lock by twisting handle.
8. Ensure all suction and pool return lines are open so that water is free to come from the pool and return to the pool.
9. Open the manual air bleeder on the filter closure. Stand clear of the filter and start the pump.
10. Close the air bleeder on the filter closure when all the air is removed from the filter and a steady stream of water emerges.
11. The filter has now started its filtering cycle. You should ensure that water is returning to the pool and take note of the operating pressure when the filter is clean.

CLEANING

Frequency

1. The filter on a new pool should be backwashed, and cleaned after approximately 48 hours of operation to clean out plaster dust and/or construction debris.

2. There are three different ways to identify when the filter needs backwashing.
 - a. The most accurate indicator on pool systems with a flow meter is to backwash when the flow decreases 30% from the original (clean filter) flow. For example, if the original flow was 60 GPM, the filter should be backwashed when the flow is reduced by about 20 GPM (or 30%) to 40 GPM.
 - b. A more subjective and less accurate indicator is to observe the amount of water flowing from the flow directionals located in the wall of the pool. The filter should be backwashed once it is detected that the flow has been reduced by about 30%.
 - c. The most commonly used but less accurate indicator is to backwash when the filter gauge reading increases 10 PSI over the initial (clean filter) reading.
3. It is important not to backwash the filter solely on a timed basis such as every three days. It is also important to note that backwashing too frequently actually causes poor filtration. Factors like weather conditions, heavy rains, dust or pollen, and water temperature all affect the frequency of backwash. As you use your pool, you will become aware of these influences.
4. If at any time the starting pressure after backwashing the filter indicates 4 to 6 PSI higher than normal starting pressure, it is time to perform a chemical cleaning procedure.

Filter Backwash Procedure

To prevent equipment damage and possible injury, always turn off pump before changing valve positions.

1. Stop the pump.
2. Ensure that the suction and backwash lines are open so that water is free to come from the pool and flow out the backwash line. Set control valve position as follows:
 - a. If using a Multiport Valve, set valve to backwash position.
 - b. If using a Two Position Slide Valve, push handle down to backwash position and engage lock by twisting handle.
3. **Stand clear of the filter** and start pump.
4. Backwash filter for approximately 3 to 5 minutes or until backwash water is clean.
5. Stop the pump.
 - a. If using a Multiport Valve, set valve to rinse position and continue with remaining steps.
 - b. If using a Two Position Slide Valve, skip to step 8.
6. **Stand clear of the filter** and start pump.
7. Rinse filter for approximately 30 seconds.
8. Stop the pump and set valve as follows:
 - a. If using a Multiport Valve, set valve to filter position.
 - b. If using a Two Position Slide Valve, raise handle to filter position and engage valve lock by twisting handle.
9. Ensure that pool return line is open so that water may freely flow from the pool back to the pool.
10. Open manual air bleeder on Triton closure. Stand clear of filter and start pump.
11. Close manual air bleeder of the closure when all the air is removed and a steady stream of water emerges from the bleeder.

12. The filter has now started its filtering cycle. You should ensure that water is returning to the pool and take note of the filter pressure.
13. The filter pressure, in the above Step 12, should not exceed the pressure originally observed on the filter when it was initially started. If after backwashing, the pressure is 4 to 6 PSI above the start condition, it will be necessary to chemically clean the sand bed.

Aquaworx Inc.

Limited Warranty

Aquaworx Inc. warrants this product against defects in material or workmanship as follows:

One Year warranty on all parts and materials manufactured by Aquaworx Inc. commencing on the date of purchase. This to include all components that were on the original signed sales order.

This warranty does not include and does not extend to any of the following:

(a) Component failure caused by normal wear and tear, climatic conditions, misuse, neglect, lack of proper maintenance, accident, fire or other casualty damage, negligence, or modification without manufacturer's written approval. (b) Fading, chalking, or cosmetic cracking of any kind. Cost of removal or reinstallation of any component or the product itself.

Storage of any kind of chemical inside an AquaWorx cabinet will void this warranty for all components housed inside the cabinet as well as the cabinet. Stenners that fail will be subject to inspection from the manufacturer for chemical damage. If Stenner determines that the failure was due to chemical damage they will not be covered.

Limitations: The repair or replacement of defective parts shall be purchaser's sole and exclusive remedy and Aquaworx Inc. sole and exclusive liability under this warranty. Aquaworx obligation under this warranty is limited to the repair or replacement of any covered item found to be defective. Repair or replacement items are warranted as provided herein for the unexpired portion of the applicable warranty period.

This warranty and the rights and remedies under it, is exclusive and is given in place of all other warranties, whether express or implied, including and implied warranty of merchantability or fitness for a particular purpose. Purchaser's remedies shall be limited as stated herein and Aquaworx shall not be liable for any incidental, consequential or indirect damages or losses resulting from defects.

The selling dealer is not a co-warrantor and is not authorized by Aquaworx Inc. to amend or modify this Limited warranty in any manner.