

Installation and Operation Guide

AquaWorx Filtration Systems



Models- ATFSS6, ATFSP8, ATFSP6, ATFSSP8, ATFSV, ATFSWF, ATFSP8CA

“IMPORTANT SAFETY INSTRUCTIONS”

When Installing and using this electrical equipment, basic safety precautions should always be followed, including the following:

“READ AND FOLLOW ALL INSTRUCTIONS”

WARNING – To reduce the risk of injury, do not permit children to use this product unless they are closely supervised at all times.

WARNING – Risk of Electric Shock. Connect only to a branch circuit protected by a ground fault circuit-interrupter (GFCI). Contact a qualified electrician if you cannot verify that the circuit is protected by a GFIC. The unit must be connected only to a supply circuit that is protected by a ground fault circuit interrupter (GFCI). Such a GFIC should be provided by the installer and should be tested on a routine basis. To test the GFCI push the test button. The GFIC should interrupt power. Push the reset button. Power should be restored. If the GFIC fails to operate in this manner, the GFIC is defective. If the GFIC interrupts power to the pump without the test button being pushed, a ground current is flowing, indicating the possibility of an electric shock. Do not use this pump. Disconnect the pump and have the problem corrected by a qualified service representative before using.

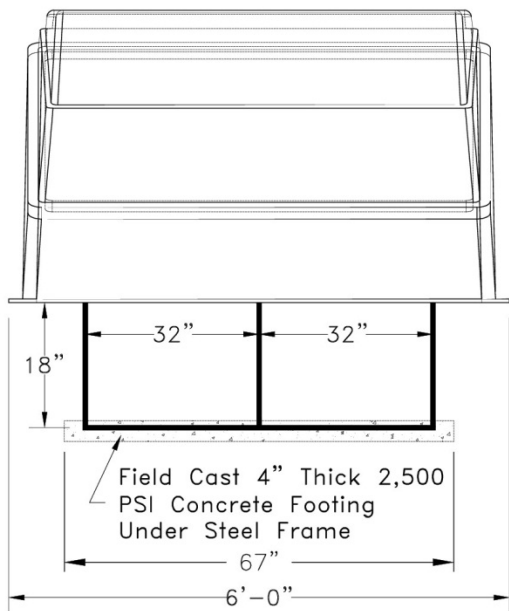
CAUTION - This Pump is for use with permanently installed pools and may also be used with hot tubs and spas if so marked. Do not use with storable pools. A permanently installed pool is constructed in or on the ground or in a building such that it cannot be readily disassembled for storage. A storage pool is constructed so that it is capable of being readily disassembled for storage and reassembled to its original integrity.

“SAVE THESE INSTRUCTIONS”

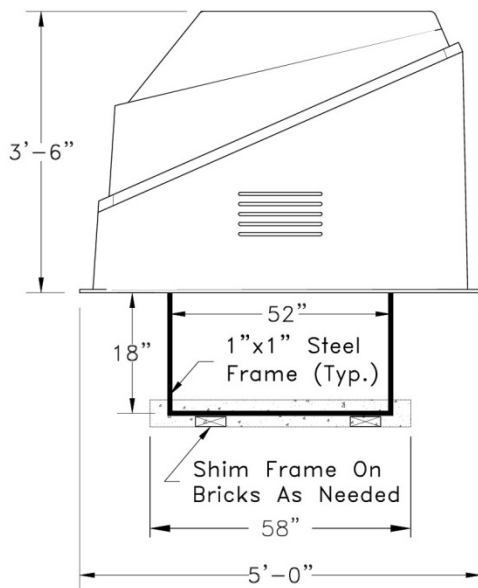
Fiberglass Maintenance

Fiberglass should be maintained on a regular basis. If the fiberglass is kept dry and away from the elements, then exposure is minimal and the fiberglass can be maintained about every 6 months or so with great results. However, if the fiberglass is kept out in the elements under constant exposure, then regular maintenance should be done every 3 months without fail. Without regular care and maintenance, fiberglass will begin to show signs of oxidizing in 4 to 12 months. Waxes cover the surface and provide a barrier between the elements and the gel coat surface. Choose a wax suitable for fiberglass, usually any regular paste car wax with UV Protectant. Regardless of the product you select, be sure to follow the application instructions to ensure that you get the best results and all the benefits that the product has to offer.

System Installation



FRONT ELEVATION



SIDE ELEVATION

ATFS Series Operating Instructions

TO OPERATE UNIT

START UP

1. Securely lock Posi-Lok™ ring in place by rotating the ring CLOCKWISE until it “clicks” past the safety latch. Stop turning as soon as the ring clicks past the latch on the filter (E).
2. Fill strainer basket on pump with water (H).
3. Open air release valve on top of filter (E).
4. Open valves (B and C).
5. Start recirculation pump (H).
6. When a steady stream of water comes from the valve on top of the filter (E), close the valve.
 - The ring will tighten up as pressure builds.
 - If leaking occurs from the ring stop pump.
 - Remove ring and make sure the top of the filter is seated completely on the housing.
 - Rotate the ring and lock in place.
 - Restart pump.
7. After the filter is operating record the pressure in the manual for future use.

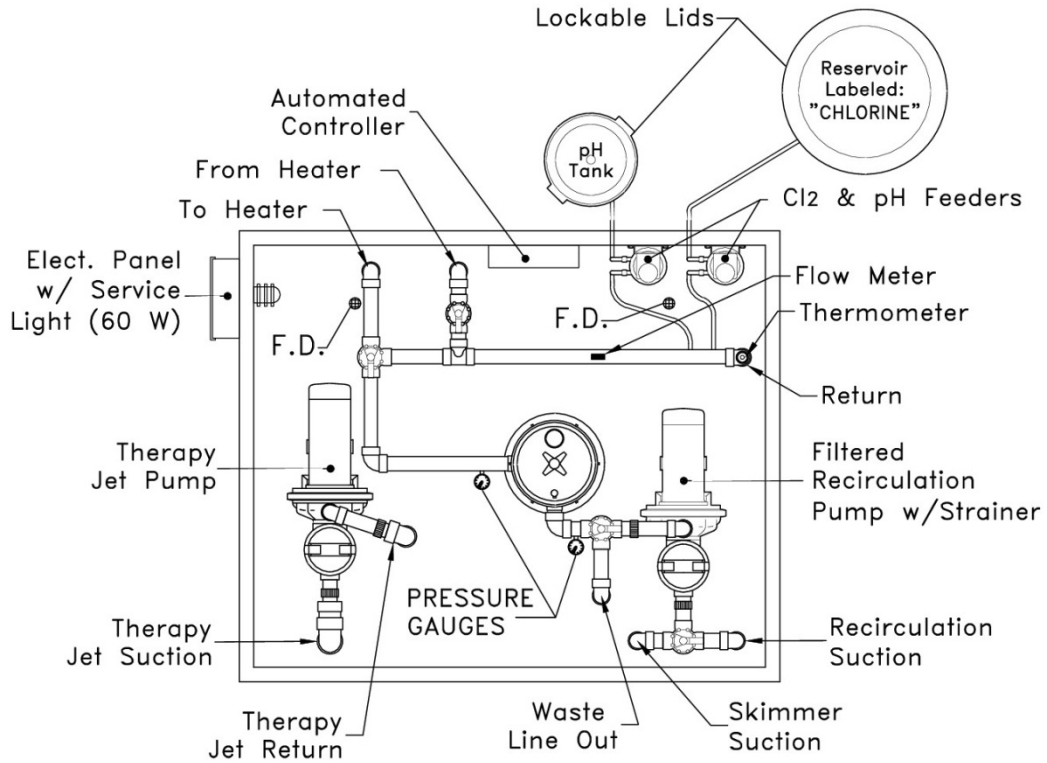
CLEANING

Cleaning should be done when the recorded pressure rises more than 10 psi above the startup pressure.

1. Stop pump (H).
2. Close isolation valves to prevent flooding (B and C)
3. Open air release valve on top of filter (E) to release all pressure from inside of tank.
4. Remove drain plug from rear of tank to drain all of the water (E).
5. Remove the Posi-Lok™ from the tank by pushing down on the safety latch and rotate the ring COUNTERCLOCKWISE.
6. Remove the top housing and lift out the filter module.
7. With a hose equipped with a soft flow nozzle, wash out as much dirt as possible from the filter module. Do not scrub filter module with any brushes.
8. Reinstall the module into the filter housing.
9. Follow the steps in the Startup section to restart the unit.

Replace filter module annually or as needed.

- A – RECIRCULATION SUCTION
- B – WASTE
- C – HEATER INLET PIPE
- D – HEATER OUTLET PIPE
- E – FILTERED RETURN
- F – CARTRIDGE FILTER
- G – THERAPY SUCTION
- H- THERAPY RETURN
- I – RECIRCULATION PUMP
- J – THERAPY PUMP



EQUIPMENT PLAN

Aquaworx Inc.

Limited Warranty

Aquaworx Inc. warrants this product against defects in material or workmanship as follows:

One Year warranty on all parts and materials manufactured by Aquaworx Inc. commencing on the date of purchase. This to include all components that were on the original signed sales order.

This warranty does not include and does not extend to any of the following:

(a) Component failure caused by normal wear and tear, climatic conditions, misuse, neglect, lack of proper maintenance, accident, fire or other casualty damage, negligence, or modification without manufactures written approval. (b) Fading, chalking, or cosmetic cracking of any kind. Cost of removal or reinstallation of any component or the product itself.

Storage of any kind of chemical inside an AquaWorx cabinet will void this warranty for all components housed inside the cabinet as well as the cabinet. Stenners that fail will be subject to inspection from the manufacturer for chemical damage. If Stenner determines that the failure was due to chemical damage they will not be covered.

Limitations: The repair or replacement of defective parts shall be purchaser's sole and exclusive remedy and Aquaworx Inc. sole and exclusive liability under this warranty. Aquaworx obligation under this warranty is limited to the repair or replacement of any covered item found to be defective. Repair or replacement items are warranted as provided herein for the unexpired portion of the applicable warranty period.

This warranty and the rights and remedies under it, is exclusive and is given in place of all other warranties, whether express or implied, including and implied warranty of merchantability or fitness for a particular purpose. Purchaser's remedies shall be limited as stated herein and Aquaworx shall not be liable for any incidental, consequential or indirect damages or losses resulting from defects.

The selling dealer is not a co-warrantor and is not authorized by Aquaworx Inc. to amend or modify this Limited warranty in any manner.