

Tracheostomy Catalogue

Airway Management



Percutaneous
Dilational
Tracheostomy Kits



Blue Line Ultra®
Tracheostomy Tubes



Bivona®
Tracheostomy Tubes



Cricothyroidotomy Kits
& Suction Therapy



Tracheostomy Ancillary
Products & Accessories



Smiths Medical is a leading global manufacturer of specialty medical devices that provide innovative and lifesaving solutions for the world’s healthcare markets.

Our Infusion Systems, Vascular Access, Vital Care, and Specialty Products are found in hospital, emergency, home, and specialty care environments.

Contents

- GRIGGS® Dilating Forceps Kits for Percutaneous Tracheostomy 6
 - GRIGGS® Blue Line Ultra® Suctionaid® Percutaneous Dilation Tracheostomy Kit without Guidewire Dilating Forceps 7
 - GRIGGS® Blue Line Ultra® Percutaneous Dilation Tracheostomy Kit with Guidewire Dilating Forceps..... 7
 - GRIGGS® Blue Line Ultra® Percutaneous Dilation Tracheostomy Kit without Guidewire Dilating Forceps 7
- UniPerc® Kits for Percutaneous Dilational Tracheostomy..... 8
 - UniPerc® Percutaneous Dilation Tracheostomy Kit..... 9
 - UniPerc® Extra Length Tube Adjustable Flange Tracheostomy Tubes without Cuff 9
 - UniPerc® Extra Length Tube Adjustable Flange Tracheostomy Tubes with SOFT-SEAL® Cuff 9
 - Replacement Inner Cannular for UniPerc®..... 9
 - UniPerc® Percutaneous Dilation Tracheostomy Accessories..... 9
- ULTRAPerc® Kits for Percutaneous Dilational Tracheostomy..... 10
 - Blue Line Ultra® Percutaneous Dilation Tracheostomy Kits with Single Stage Dilator..... 11
 - Blue Line Ultra® Suctionaid® Percutaneous Dilation Tracheostomy Kit with Single Stage Dilator..... 11
- Portex® Blue Line Ultra® Tracheostomy Tubes 12
 - Blue Line Ultra® Cuffed Tracheostomy Tubes..... 12
 - Blue Line Ultra® Cuffed Tracheostomy Tube Kit..... 12
 - Blue Line Ultra® Cuffed Fenestrated Tracheostomy Tubes 13
 - Blue Line Ultra® Cuffed Fenestrated Tracheostomy Tube Kit 13
 - Blue Line Ultra® Uncuffed Tracheostomy Tube Kit..... 13
 - Blue Line Ultra® Uncuffed Fenestrated Tracheostomy Tube Kit 14
 - Blue Line Ultra® Cuffed Fenestrated Orator Speaking Valve Kit 14
 - Blue Line Ultra® Cuffed Fenestrated Tracheostomy Tube Kit 14
 - Blue Line Ultra® Suctionaid® Tracheostomy Tube Kit 14
 - Blue Line Ultra® Suctionaid® Tracheostomy Tube Kit 15
 - Inner Cannula for Blue Line Ultra® Tracheostomy Tubes 15
 - Fenestrated Inner Cannula for Blue Line Ultra® Tracheostomy Tubes 15
 - Blue Line Ultra® Paediatric Tracheostomy Tubes..... 15
- Bivona® Adult Tracheostomy Tubes..... 16
 - Bivona® Mid-Range Aire-Cuf® Adjustable Neck Flange Hyperflex™ Tracheostomy Tubes..... 16
 - Bivona® TTS™ Adjustable Neck Flange Hyperflex™ Tracheostomy Tubes 16

Bivona® Uncuffed Extra Length Fixed Neck Flange Hyperflex™
Tracheostomy Tubes 16

Bivona® Uncuffed Extra Length Fixed Neck Flange Hyperflex™
Tracheostomy Tubes 17

Bivona® TTS™ Extra Length Fixed Neck Flange Hyperflex™
Tracheostomy Tubes 17

Bivona® Uncuffed Tracheostomy Tubes 17

Bivona® TTS™ Cuffed Tracheostomy Tubes 17

Bivona® Mid-Range Aire-Cuf® Tracheostomy Tubes 18

Bivona® Mid-Range Aire-Cuf® Tracheostomy Tubes with Talk Attachment 18

Bivona® Fome-Cuf® Tracheostomy Tubes 18

Bivona® Fome-Cuf® Tracheostomy Tubes with Talk Attachment 18

Bivona® Inner Cannula 19

Bivona® Sleep Apnea Tracheostomy Tubes 19

Bivona® Laryngectomy Tubes 19

Bivona® Paediatric Tracheostomy Tubes 20

 Bivona® Uncuffed Tube Adjustable Neck Flange Hyperflex™
 Paediatric “V” Neck Flange Tracheostomy Tubes* 20

 Bivona® Uncuffed FlexTend™ Paediatric “V”
 Neck Flange Tracheostomy Tubes* 20

 Bivona® Uncuffed FlexTend™ Plus (Extra Length)
 Paediatric “V” Neck Flange Tracheostomy Tubes* 21

 Bivona® Uncuffed FlexTend™ Paediatric
 “Straight” Neck Flange Tracheostomy Tubes* 21

 Bivona® Uncuffed FlexTend™ Plus Paediatric
 “Straight” Neck Flange Tracheostomy Tubes* 21

 Bivona® FlexTend™ with TTS™ Cuff Paediatric “V” Neck Tracheostomy Tubes* 21

 Bivona® FlexTend™ with TTS™ Cuff Paediatric “V” Neck Tracheostomy Tubes* 22

 Bivona® FlexTend™ with TTS™ Cuff Paediatric
 “Straight” Neck Tracheostomy Tubes* 22

 Bivona® FlexTend™ Plus (Extra Length) with TTS™
 Paediatric “V” Neck Cuff Tracheostomy Tubes* 22

 Bivona® FlexTend™ Plus (Extra Length) with TTS™ Paediatric
 “Straight” Neck Cuff Tracheostomy Tubes* 22

 Bivona® Uncuffed Paediatric “V” Neck Flange Tracheostomy Tubes* 23

 Bivona® Uncuffed Paediatric “Straight” Neck Flange Tracheostomy Tubes* 23

 Bivona® Aire-Cuf® Paediatric “V” Neck Flange Tracheostomy Tubes* 23

 Bivona® Aire-Cuf® Paediatric “Straight” Neck Flange Tracheostomy Tubes* 23

 Bivona® TTS™ Cuffed Paediatric “V” Neck Flange Tracheostomy Tubes* 24

 Bivona® TTS™ Cuffed Paediatric “Straight” Neck Tracheostomy Tubes* 24

* Packaged individually sterile with obturator, twill tie and disconnection wedge

Bivona® Fome-Cuf® Paediatric “V” Neck Flange Tracheostomy Tubes* 24

Bivona® Neonatal Tracheostomy Tubes 25

 Bivona® Uncuffed Neonatal “V” Neck Flange Tracheostomy Tubes* 25

 Bivona® Uncuffed Neonatal “Straight” Neck Flange Tracheostomy Tubes* 25

 Bivona® Uncuffed FlexTend™ Neonatal “V” Neck Flange Tracheostomy Tubes* 25

 Bivona® Uncuffed FlexTend™ Neonatal “Straight”
 Neck Flange Tracheostomy Tubes* 26

 Bivona FlexTend™ with TTS™ Cuff Neonatal
 “V” Neck Flange Tracheostomy Tubes* 26

 Bivona FlexTend™ with TTS™ Cuff Neonatal “Straight”
 Neck Flange Tracheostomy Tubes* 26

 Bivona® Aire-Cuf® Neonatal “V” Neck Flange Tracheostomy Tubes* 26

 Bivona® Aire-Cuf® Neonatal “Straight” Neck Flange Tracheostomy Tubes* 26

 Bivona® TTS™ Cuffed Neonatal “V” Neck Flange Tracheostomy Tubes* 27

 Bivona® TTS™ Cuffed Neonatal “Straight” Neck Flange Tracheostomy Tubes* 27

 Bivona® Fome-Cuf® Neonatal “V” Neck Flange Tracheostomy Tubes* 27

Bivona® Customised Tubes 28

Bivona® Tracheostoma Vents 29

 Tracheostoma Vents 29

Cricothyroidotomy Kits & Suction Therapy 30

 PCK Emergency Cricothyroidotomy Kit 30

 Mini-Trach® Seldinger II Kit 30

 Mini-Trach® II Kit 30

Tracheostomy Ancillary Products and Accessories 31

 Tracheostomy Tube Holders with VELCRO® Brand Fasteners 31

 Tracheostomy Tube Straps 31

 Tracheostomy Accessories 31

 Cuff Inflator Pressure Gauge 32

 Tracheostomy Mask and Connectors 32

 Training Demonstration Head 32

Index 33

GRIGGS® Dilating Forceps Kits for Percutaneous Tracheostomy

Based on the widely accepted Seldinger guidewire technique, these kits incorporate the unique and patented GRIGGS® guidewire dilating forceps.

The GRIGGS® forceps permits:

- Single step dilation
 - No need for repeated insertions, which may minimise tracheal trauma
 - One instrument for a wide range of adult sizes
- Retention of guidewire in situ throughout procedure

Smiths Medical kits for GRIGGS® technique percutaneous tracheostomy provide the option for immediate minimally invasive and minimally disruptive treatment, at the bedside or in theatre, which has been shown to have lower complications and morbidity rates versus the traditional surgical technique.^{1,2}

Only Portex® GRIGGS® kits include the unique, patented GRIGGS® guidewire dilating forceps:

- Lock over guidewire
- Allow single step dilation, which may minimise trauma
- Minimise tracheal trauma

Portex® GRIGGS® kits provide what you need:

- Full procedure pack - avoids delay and inconvenience
- Kits available with or without guidewire dilating forceps - for flexible economy
- Include a Smiths Medical tracheostomy tube with unique guidewire obturator - to ensure convenience and compatibility
- Choice of three tracheostomy tube sizes - to suit a wide range of patients
- Available with either a standard cuffed Blue Line Ultra® or Blue Line Ultra® Suctionaid® tracheostomy tube



100/891/070



100/893/070



100/541/070



100/543/070

ORDERING INFORMATION

GRIGGS® Blue Line Ultra® Suctionaid® Percutaneous Dilatation Tracheostomy Kit with Guidewire Dilating Forceps

Product Code	Tube Size	Tube I.D.	Tube O.D.	Tube Length	Units Per Case
100/891/070CZ	7.0 mm	7.0 mm	10.5 mm	70.0 mm	1
100/891/080CZ	8.0 mm	8.0 mm	11.9 mm	75.5 mm	1
100/891/090CZ	9.0 mm	9.0 mm	13.3 mm	81.0 mm	1

GRIGGS® Blue Line Ultra® Suctionaid® Percutaneous Dilatation Tracheostomy Kit without Guidewire Dilating Forceps

Product Code	Tube Size	Tube I.D.	Tube O.D.	Tube Length	Units Per Case
100/893/070CZ	7.0 mm	7.0 mm	10.5 mm	70.0 mm	1
100/893/080CZ	8.0 mm	8.0 mm	11.9 mm	75.5 mm	1
100/893/090CZ	9.0 mm	9.0 mm	13.3 mm	81.0 mm	1

GRIGGS® Blue Line Ultra® Percutaneous Dilatation Tracheostomy Kit with Guidewire Dilating Forceps

Product Code	Tube Size	Tube I.D.	Tube O.D.	Tube Length	Units Per Case
100/541/070CZ	7.0 mm	7.0 mm	10.5 mm	70.0 mm	1
100/541/080CZ	8.0 mm	8.0 mm	11.9 mm	75.5 mm	1
100/541/090CZ	9.0 mm	9.0 mm	13.3 mm	81.0 mm	1

GRIGGS® Blue Line Ultra® Percutaneous Dilatation Tracheostomy Kit without Guidewire Dilating Forceps

Product Code	Tube Size	Tube I.D.	Tube O.D.	Tube Length	Units Per Case
100/543/070CZ	7.0 mm	7.0 mm	10.5 mm	70.0 mm	1
100/543/080CZ	8.0 mm	8.0 mm	11.9 mm	75.5 mm	1
100/543/090CZ	9.0 mm	9.0 mm	13.3 mm	81.0 mm	1

References:

1. Griggs WM, Myburgh JA, Worthley LIG. A prospective comparison of a percutaneous tracheostomy technique with standard surgical tracheostomy. Int Care Med 1991; 17:261-263.
2. Leinhardt DJ, Mughal M, Bowles B, Glew R, Kishen R et al. Br J Surg 1992; 79:255-258.

UniPerc® Kits for Percutaneous Dilational Tracheostomy

The UniPerc® percutaneous dilation kit allows the percutaneous insertion of a reinforced adjustable flange tracheostomy tube using a Seldinger technique and a single stage dilator designed for use on patients with a large neck anatomy and where standard kits are inappropriate because the tracheostomy tube and procedural components are too short.

The UniPerc® kit is intended for patients with up to 50 mm of pretracheal depth. The unique distinctive 10 mm markings on the cannula, predilator and the single stage dilator enable to measure the pretracheal depth accurately and place all components safely. The same measurement can be used to pre set the adjustable flange on the UniPerc® adjustable tracheostomy flange to the correct distance.

UNIPERC® TUBE SIZE SELECTION

- The UniPerc® is the first tracheostomy tube designed with its sizing based on the inside diameter (I.D.) of the tube with its inner cannula in place
- The product is measured at the narrowest point (tip of the tube) However, the main inner diameter

is significantly larger and will completely accommodate the inner cannula. Other tracheostomy tubes quote an I.D. which is then significantly reduced by the insertion of an inner cannula.

- The tube without the inner cannula in place provides equivalent flow resistance to the next size up with its inner cannula in place

UNIPERC® TUBE SIZING RECOMMENDATIONS

- Size 7.0 mm and 8.0 mm will be the normal tubes of choice for the vast majority of patients
- Size 9.0 mm is available for use in very large tracheas, cases of enlarged trachea or tracheomalacia

THE UNIPERC® KIT – KEY POINTS

- Intended for patients with up to 50 mm pretracheal depth
- Components are longer than standard PDT kits
- Components must not be mixed with other percutaneous devices
- All components must be used in the correct sequence



100/597/070



100/899/080



100/897/080



100/890/070



100/549/200

ORDERING INFORMATION

UniPerc® Percutaneous Dilation Tracheostomy Kit					
Product Code	Tube Size	Tube I.D.	Tube O.D.	Tube Length	Units Per Case
100/597/070CZ	7.0 mm	7.0 mm	11.6 mm	70.0-115.0 mm	1
100/597/080CZ	8.0 mm	8.0 mm	12.6 mm	80.0-125.0 mm	1
100/597/090CZ	9.0 mm	9.0 mm	13.6 mm	80.0-135.0 mm	1

UniPerc® Extra Length Tube Adjustable Flange Tracheostomy Tubes without Cuff					
Product Code	Tube Size	Tube I.D.	Tube O.D.	Tube Length	Units Per Case
100/899/070CZ	7.0 mm	7.0 mm	11.6 mm	70.0-11500 mm	1
100/899/080CZ	8.0 mm	8.0 mm	12.6 mm	80.0-125.0 mm	1
100/899/090CZ	9.0 mm	9.0 mm	13.6 mm	80.0-135.0 mm	1

UniPerc® Extra Length Tube Adjustable Flange Tracheostomy Tubes with SOFT-SEAL® Cuff					
Product Code	Tube Size	Tube I.D.	Tube O.D.	Tube Length	Units Per Case
100/897/070CZ	7.0 mm	7.0 mm	11.6 mm	70.0-115.0 mm	1
100/897/080CZ	8.0 mm	8.0 mm	12.6 mm	80.0-125.0 mm	1
100/897/090CZ	9.0 mm	9.0 mm	13.6 mm	80.0-135.0 mm	1

Replacement Inner Cannula for UniPerc®		
Product Code	Tube Size	Units Per Case
100/890/070CZ	7.0 mm	10
100/890/080CZ	8.0 mm	10
100/890/090CZ	9.0 mm	10

UniPerc® Percutaneous Dilation Tracheostomy Accessories		
Product Code	Description	Units Per Case
100/549/000CZ	Spare Guidewires	5
100/892/200CZ	Foam Cleaning Swabs	20

ULTRAPerc® Kits for Percutaneous Dilational Tracheostomy

ULTRAPerc® provides the clinician with a range of totally integrated procedural kits for percutaneous dilational tracheostomy for use in intensive care or theatre.

Only ULTRAPerc® kits include every component required from initial incision to final tube insertion using a purpose designed introducer. Also, because ULTRAPerc® kits are available with Blue Line Ultra®, you will gain all the added benefits of this innovative and popular range of tracheostomy tubes.

ULTRAPerc® offers the clinician:

- Totally integrated components, with unique introducer
- The advantages of Blue Line Ultra®
- A wide choice of kits to meet individual requirements
- A convenient package including everything required for the procedure
- Cost-effective kits
- Option of a standard cuffed Blue Line Ultra® or Blue Line Ultra® Suctionaid® tracheostomy tube

A close fit — the ULTRAPerc® introducer is tailor made for Blue Line Ultra® tracheostomy tubes. The tapered tube tip fits the introducer to minimise trauma on insertion.

A convenient package - Only Portex® ULTRAPerc® PDT kits can offer the option of the unique introducer and Blue Line Ultra® tracheostomy tube all in one kit, avoiding the compromise of mismatched components.

The benefits of Blue Line Ultra® - ULTRAPerc® PDT kits with Blue Line Ultra include all the advantages of this tube range: SOFT-SEAL® cuff, flexible flange, tapered tip, thermo-sensitive PVC material intended for patient comfort and is radio-opaque for x-ray visualisation.

Also available — Smiths Medical has produced supporting educational material for users of the ULTRAPerc® kit. The “How to Guide: Percutaneous Tracheostomy” is produced in association with Care of the Critically Ill. The educational video demonstrates the technique for inserting Blue Line Ultra® tubes using the ULTRAPerc® system.



100/561/070



100/563/070

ORDERING INFORMATION

Blue Line Ultra® Percutaneous Dilational Tracheostomy Kits with Single Stage Dilator

Product Code	Tube Size	Tube I.D	Tube O.D	Tube Length	Units Per Case
100/561/070	7.0 mm	7.0 mm	10.5 mm	70.0 mm	1
100/561/080	8.0 mm	8.0 mm	11.9 mm	75.5 mm	1
100/561/090	9.0 mm	9.0 mm	13.3 mm	81.0 mm	1
100/562/000CZ	Without Tracheostomy Tube				1

Includes single stage dilator, introducer with handle, and procedural components.

Blue Line Ultra® Suctionaid® Percutaneous Dilational Tracheostomy Kit with Single Stage Dilator

Product Code	Tube Size	Tube I.D	Tube O.D	Tube Length	Units Per Case
100/563/070	7.0 mm	7.0 mm	10.5 mm	70.0 mm	1
100/563/080	8.0 mm	8.0 mm	11.9 mm	75.5 mm	1
100/563/090	9.0 mm	9.0 mm	13.3 mm	81.0 mm	1

Includes single stage dilator, introducer with handle, and procedural components.

Portex® Blue Line Ultra® Tracheostomy Tubes

The Blue Line Ultra® range has many benefits:

- Comprehensive range — available with or without inner cannula, cuffed or uncuffed, fenestrated or unfenestrated
- Thermosensitive PVC tubes provides sufficient rigidity for initial insertion, and then softens at body temperature to accommodate individual patient anatomy
- SOFT-SEAL® cuff — low pressure, high volume cuff that may help minimise trauma whilst providing an effective seal. When deflated, the cuff relaxes smoothly to tube minimising discomfort on insertion and removal
- Built-in 15 mm ISO connector for ventilation circuit connection with or without an inner cannula in place
- Clear markings on pilot balloon provide relevant information
- Flange is soft and clear to ensure aesthetic acceptability
- Tube material is radio-opaque to enable confirmation of tube position
- Multiple fenestrations that may help to to minimise risk of occlusions
- Obturator provides rigidity for tube insertion. Rounded obturator tip for insertion with minimal trauma
- Special clip design minimises obturator tip movement during tube insertion



100/802/060



100/812



100/811/070



100/800/060

Blue Line Ultra® Cuffed Tracheostomy Tubes					
Product Code	Tube Size	Tube I.D.	Tube O.D.	Tube Length	Units Per Case
100/800/060CZ	6.0 mm	6.0 mm	9.2 mm	64.5 mm	10
100/800/070CZ	7.0 mm	7.0 mm	10.5 mm	70.0 mm	10
100/800/075CZ	7.5 mm	7.5 mm	11.3 mm	73.0 mm	10
100/800/080CZ	8.0 mm	8.0 mm	11.9 mm	75.5 mm	10
100/800/085CZ	8.5 mm	8.5 mm	12.6 mm	78.0 mm	10
100/800/090CZ	9.0 mm	9.0 mm	13.3 mm	81.0 mm	10
100/800/100CZ	10.0 mm	10.0 mm	14.0 mm	87.5 mm	10



100/810/060

Blue Line Ultra® Cuffed Tracheostomy Tube Kit					
Product Code	Tube Size	Tube I.D.	Tube O.D.	Tube Length	Units Per Case
100/810/060CZ	6.0 mm	6.0 mm	9.2 mm	64.5 mm	1
100/810/070CZ	7.0 mm	7.0 mm	10.5 mm	70.0 mm	1
100/810/075CZ	7.5 mm	7.5 mm	11.3 mm	73.0 mm	1
100/810/080CZ	8.0 mm	8.0 mm	11.9 mm	75.5 mm	1
100/810/085CZ	8.5 mm	8.5 mm	12.6 mm	78.0 mm	1
100/810/090CZ	9.0 mm	9.0 mm	13.3 mm	81.0 mm	1
100/810/100CZ	10.0 mm	10.0 mm	14.0 mm	87.5 mm	1

Includes two inner cannula, tracheostomy tubes, introducer, disconnection wedge, tracheostomy tube holder, cleaning brush, and patient label.

ORDERING INFORMATION

Blue Line Ultra® Cuffed Fenestrated Tracheostomy Tubes					
Product Code	Tube Size	Tube I.D.	Tube O.D.	Tube Length	Units Per Case
100/802/060CZ	6.0 mm	6.0 mm	9.2 mm	64.5 mm	10
100/802/070CZ	7.0 mm	7.0 mm	10.5 mm	70.0 mm	10
100/802/075CZ	7.5 mm	7.5 mm	11.3 mm	73.0 mm	10
100/802/080CZ	8.0 mm	8.0 mm	11.9 mm	75.5 mm	10
100/802/085CZ	8.5 mm	8.5 mm	12.6 mm	78.0 mm	10
100/802/090CZ	9.0 mm	9.0 mm	13.3 mm	81.0 mm	10
100/802/100	10.0 mm	10.0 mm	14.0 mm	87.5 mm	10

Blue Line Ultra® Cuffed Fenestrated Tracheostomy Tube Kit					
Product Code	Tube Size	Tube I.D.	Tube O.D.	Tube Length	Units Per Case
100/812/060CZ	6.0 mm	6.0 mm	9.2 mm	64.5 mm	1
100/812/070CZ	7.0 mm	7.0 mm	10.5 mm	70.0 mm	1
100/812/075CZ	7.5 mm	7.5 mm	11.3 mm	73.0 mm	1
100/812/080CZ	8.0 mm	8.0 mm	11.9 mm	75.5 mm	1
100/812/085CZ	8.5 mm	8.5 mm	12.6 mm	78.0 mm	1
100/812/090CZ	9.0 mm	9.0 mm	13.3 mm	81.0 mm	1
100/812/100CZ	10.0 mm	10.0 mm	14.0 mm	87.5 mm	1

Includes inner cannula with stop ring, disconnection wedge, tracheostomy tube holder, cleaning brush, and patient label.

Blue Line Ultra® Uncuffed Tracheostomy Tube Kit					
Product Code	Tube Size	Tube I.D.	Tube O.D.	Tube Length	Units Per Case
100/811/060CZ	6.0 mm	6.0 mm	9.2 mm	64.5 mm	1
100/811/070CZ	7.0 mm	7.0 mm	10.5 mm	70.0 mm	1
100/811/075CZ	7.5 mm	7.5 mm	11.3 mm	73.0 mm	1
100/811/080CZ	8.0 mm	8.0 mm	11.9 mm	75.5 mm	1
100/811/085CZ	8.5 mm	8.5 mm	12.6 mm	78.0 mm	1
100/811/090CZ	9.0 mm	9.0 mm	13.3 mm	81.0 mm	1
100/811/100CZ	10.0 mm	10.0 mm	14.0 mm	87.5 mm	1

Includes inner cannula with stop ring, disconnection wedge, tracheostomy tube holder, cleaning brush, and patient label.

ORDERING INFORMATION



100/813/070

Blue Line Ultra® Uncuffed Fenestrated Tracheostomy Tube Kit					
Product Code	Tube Size	Tube I.D.	Tube O.D.	Tube Length	Units Per Case
100/813/060CZ	6.0 mm	6.0 mm	9.2 mm	64.5 mm	1
100/813/070CZ	7.0 mm	7.0 mm	10.5 mm	70.0 mm	1
100/813/075CZ	7.5 mm	7.5 mm	11.3 mm	73.0 mm	1
100/813/080CZ	8.0 mm	8.0 mm	11.9 mm	75.5 mm	1
100/813/085CZ	8.5 mm	8.5 mm	12.6 mm	78.0 mm	1
100/813/090CZ	9.0 mm	9.0 mm	13.3 mm	81.0 mm	1
100/813/100CZ	10.0 mm	10.0 mm	14.0 mm	87.5 mm	1

Includes inner cannula with disconnection wedge, tracheostomy tube holder, cleaning brush, and patient label.



100/832/070

Blue Line Ultra® Cuffed Fenestrated Orator Speaking Valve Kit					
Product Code	Tube Size	Tube I.D.	Tube O.D.	Tube Length	Units Per Case
100/832/070	7.0 mm	7.0 mm	10.5 mm	70.0 mm	1
100/832/080	8.0 mm	8.0 mm	11.9 mm	75.5 mm	1
100/832/090	9.0 mm	9.0 mm	13.3 mm	81.0 mm	1

Includes inner cannula with speaking valve, disconnection wedge, tracheostomy tube holder, cleaning brush, and patient label.



100/833/070

Blue Line Ultra® Cuffed Fenestrated Tracheostomy Tube Kit					
Product Code	Tube Size	Tube I.D.	Tube O.D.	Tube Length	Units Per Case
100/833/070CZ	7.0 mm	7.0 mm	10.5 mm	70.0 mm	1

Includes inner cannula with speaking valve, disconnection wedge, tracheostomy tube holder, cleaning brush, and patient label.



100/860/060

Blue Line Ultra® Suctionaid® Tracheostomy Tube Kit					
Product Code	Tube Size	Tube I.D.	Tube O.D.	Tube Length	Units Per Case
100/860/060CZ	6.0 mm	6.0 mm	9.2 mm	64.5 mm	10
100/860/070CZ	7.0 mm	7.0 mm	10.5 mm	70.0 mm	10
100/860/075CZ	7.5 mm	7.5 mm	11.3 mm	73.0 mm	10
100/860/080CZ	8.0 mm	8.0 mm	11.9 mm	75.5 mm	10
100/860/085CZ	8.5 mm	8.5 mm	12.6 mm	78.0 mm	10
100/860/090CZ	9.0 mm	9.0 mm	13.3 mm	81.0 mm	10
100/860/100CZ	10.0 mm	10.0 mm	14.0 mm	87.5 mm	10



100/870/060

ORDERING INFORMATION

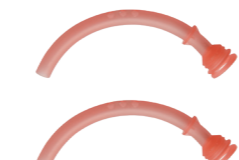
Blue Line Ultra® Suctionaid® Tracheostomy Tube Kit					
Product Code	Tube Size	Tube I.D.	Tube O.D.	Tube Length	Units Per Case
100/870/060CZ	6.0 mm	6.0 mm	9.2 mm	64.5 mm	1
100/870/070CZ	7.0 mm	7.0 mm	10.5 mm	70.0 mm	1
100/870/075CZ	7.5 mm	7.5 mm	11.3 mm	73.0 mm	1
100/870/080CZ	8.0 mm	8.0 mm	11.9 mm	75.5 mm	1
100/870/085CZ	8.5 mm	8.5 mm	12.6 mm	78.0 mm	1
100/870/090CZ	9.0 mm	9.0 mm	13.3 mm	81.0 mm	1
100/870/100CZ	10.0 mm	10.0 mm	14.0 mm	87.5 mm	1

Includes inner cannula with disconnection wedge, tracheostomy tube holder, cleaning brush, and patient label.



100/850/060

Inner Cannula for Blue Line Ultra® Tracheostomy Tubes			
Product Code	Description	Inner Cannula I.D.	Units Per Case
100/850/060CZ	Inner Cannula for 6.0 mm Tube	5.0 mm	2
100/850/070CZ	Inner Cannula for 7.0 mm Tube	6.0 mm	2
100/850/075CZ	Inner Cannula for 7.5 mm Tube	6.5 mm	2
100/850/080CZ	Inner Cannula for 8.0 mm Tube	7.0 mm	2
100/850/085CZ	Inner Cannula for 8.5 mm Tube	7.5 mm	2
100/850/090CZ	Inner Cannula for 9.0 mm Tube	8.0 mm	2
100/850/100CZ	Inner Cannula for 10.0 mm tube	8.5 mm	2



100/851/060

Fenestrated Inner Cannula for Blue Line Ultra® Tracheostomy Tubes			
Product Code	Description	Inner Cannula I.D.	Units Per Case
100/851/060CZ	Fenestrated Inner Cannula for 6.0 mm Tube	5.0 mm	2
100/851/070CZ	Fenestrated Inner Cannula for 7.0 mm Tube	6.0 mm	2
100/851/075CZ	Fenestrated Inner Cannula for 7.5 mm Tube	6.5 mm	2
100/851/080CZ	Fenestrated Inner Cannula for 8.0 mm Tube	7.0 mm	2
100/851/085CZ	Fenestrated Inner Cannula for 8.5 mm Tube	7.5 mm	2
100/851/090CZ	Fenestrated Inner Cannula for 9.0 mm Tube	8.0 mm	2
100/851/100CZ	Fenestrated Inner Cannula for 10.0 mm tube	8.5 mm	2

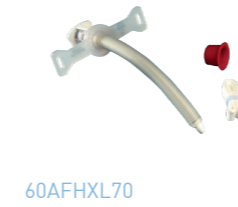


101/506/035

Blue Line Ultra® Paediatric Tracheostomy Tubes					
Product Code	Tube Size	Tube I.D.	Tube O.D.	Tube Length	Units Per Case
101/506/030	3.0 mm	3.0 mm	4.2 mm	35.8 mm	1
101/506/035	3.5 mm	3.5 mm	5.3 mm	39.3 mm	1
101/506/040	4.0 mm	4.0 mm	5.5 mm	42.7 mm	1
101/506/045	4.5 mm	4.5 mm	6.2 mm	46.2 mm	1
101/506/050	5.0 mm	5.0 mm	6.9 mm	49.7 mm	1

Bivona® Adult Tracheostomy Tubes

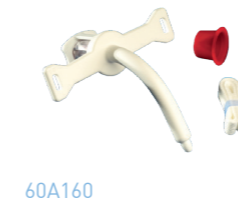
The forgiving nature of the silicone tube material allows the patient a greater range of mobility and more comfort than tubes made of more rigid materials. A comprehensive range of sizes are available for your patient.



60AFHXL70



67FHXL70



60A160



670180



750160

ORDERING INFORMATION

Bivona® Uncuffed Extra Length Fixed Neck Flange Hyperflex™ Tracheostomy Tubes

Product Code	Tube Size	Tube I.D.	Tube O.D.	Tube Length	Units Per Case
60AFHXL60	6.0 mm	6.0 mm	9.2 mm	100.0 mm	1
60AFHXL70	7.0 mm	7.0 mm	10.6 mm	110.0 mm	1
60AFHXL80	8.0 mm	8.0 mm	11.7 mm	120.0 mm	1
60AFHXL90	9.0 mm	9.0 mm	12.9 mm	130.0 mm	1

Bivona® TTS™ Extra Length Fixed Neck Flange Hyperflex™ Tracheostomy Tubes

Product Code	Tube Size	Tube I.D.	Tube O.D.	Tube Length	Units Per Case
67FHXL60	6.0 mm	6.0 mm	9.2 mm	100.0 mm	1
67FHXL70	7.0 mm	7.0 mm	10.6 mm	110.0 mm	1
67FHXL80	8.0 mm	8.0 mm	11.7 mm	120.0 mm	1
67FHXL90	9.0 mm	9.0 mm	12.9 mm	130.0 mm	1

Bivona® Uncuffed Tracheostomy Tubes

Product Code	Tube Size	Tube I.D.	Tube O.D.	Tube Length	Inner Cannula Compatible	Units Per Case
60A150	5.0 mm	5.0 mm	7.4 mm	60.0 mm		1
60A160	6.0 mm	6.0 mm	8.8 mm	70.0 mm		1
60A170	7.0 mm	7.0 mm	10.0 mm	80.0 mm	✓	1
60A180	8.0 mm	8.0 mm	11.0 mm	88.0 mm	✓	1
60A190	9.0 mm	9.0 mm	12.3 mm	98.0 mm	✓	1

Bivona® TTS™ Cuffed Tracheostomy Tubes

Product Code	Tube Size	Tube I.D.	Tube O.D.	Tube Length	Inner Cannula Compatible	Units Per Case
670150	5.0 mm	5.0 mm	7.4 mm	60.0 mm		1
670160	6.0 mm	6.0 mm	8.8 mm	70.0 mm		1
670170	7.0 mm	7.0 mm	10.0 mm	80.0 mm	✓	1
670175	7.5 mm	7.5 mm	10.5 mm	80.0 mm	✓	1
670180	8.0 mm	8.0 mm	11.0 mm	88.0 mm	✓	1
670185	8.5 mm	8.5 mm	11.8 mm	88.0 mm	✓	1
670190	9.0 mm	9.0 mm	12.3 mm	98.0 mm	✓	1

Bivona® Mid-Range Aire-Cuf® Tracheostomy Tubes

Product	Tube Size	Tube I.D.	Tube O.D.	Tube Length	Inner Cannula Compatible	Units Per Case
750150	5.0 mm	5.0 mm	7.4 mm	60.0 mm		1
750160	6.0 mm	6.0 mm	8.8 mm	70.0 mm		1
750170	7.0 mm	7.0 mm	10.0 mm	80.0 mm	✓	1
750180	8.0 mm	8.0 mm	11.0 mm	88.0 mm	✓	1
750190	9.0 mm	9.0 mm	12.3 mm	98.0 mm	✓	1
750195	9.5 mm	9.5 mm	13.3 mm	98.0 mm		1

Bivona® Mid-Range Aire-Cuf® Adjustable Neck Flange Hyperflex™ Tracheostomy Tubes

Product	Tube Size	Tube I.D.	Tube O.D.	Tube Length	Units Per Case
75HA60	6.0 mm	6.0 mm	9.2 mm	110.0 mm	1
75HA70	7.0 mm	7.0 mm	10.6 mm	120.0 mm	1
75HA80	8.0 mm	8.0 mm	11.7 mm	130.0 mm	1
75HA90	9.0 mm	9.0 mm	12.9 mm	140.0 mm	1

Bivona® TTS™ Adjustable Neck Flange Hyperflex™ Tracheostomy Tubes

Product	Tube Size	Tube I.D.	Tube O.D.	Tube Length	Units Per Case
67HA60	6.0 mm	6.0 mm	9.2 mm	110.0 mm	1
67HA70	7.0 mm	7.0 mm	10.6 mm	120.0 mm	1
67HA80	8.0 mm	8.0 mm	11.7 mm	130.0 mm	1
67HA90	9.0 mm	9.0 mm	12.9 mm	140.0 mm	1

Bivona® Uncuffed Extra Length Fixed Neck Flange Hyperflex™ Tracheostomy Tubes

Product	Tube Size	Tube I.D.	Tube O.D.	Tube Length	Units Per Case
75FHXL60	6.0 mm	6.0 mm	9.2 mm	100.0 mm	1
75FHXL70	7.0 mm	7.0 mm	10.6 mm	110.0 mm	1
75FHXL80	8.0 mm	8.0 mm	11.7 mm	120.0 mm	1
75FHXL90	9.0 mm	9.0 mm	12.9 mm	130.0 mm	1



75HA70



67HA60



75FHXL60

ORDERING INFORMATION



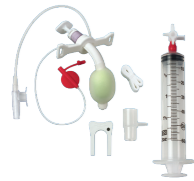
755180

Bivona® Mid-Range Aire-Cuf® Tracheostomy Tubes with Talk Attachment					
Product	Tube Size	Tube I.D.	Tube O.D.	Tube Length	Units Per Case
755150	5.0 mm	5.0 mm	7.3 mm	60.0 mm	1
755160	6.0 mm	6.0 mm	8.7 mm	70.0 mm	1
755170	7.0 mm	7.0 mm	10.0 mm	80.0 mm	1
755180	8.0 mm	8.0 mm	11.0 mm	88.0 mm	1
755190	9.0 mm	9.0 mm	12.3 mm	98.0 mm	1
755195	9.5 mm	9.5 mm	13.3 mm	98.0 mm	1



850180

Bivona® Fome-Cuf® Tracheostomy Tubes					
Product	Tube Size	Tube I.D.	Tube O.D.	Tube Length	Units Per Case
850150	5.0 mm	5.0 mm	7.3 mm	60.0 mm	1
850160	6.0 mm	6.0 mm	8.7 mm	70.0 mm	1
850170	7.0 mm	7.0 mm	10.0 mm	80.0 mm	1
850180	8.0 mm	8.0mm	11.0 mm	88.0 mm	1
850190	9.0 mm	9.0 mm	12.3 mm	98.0 mm	1
850195	9.5 mm	9.5 mm	13.3 mm	98.0 mm	1



855180

Bivona® Fome-Cuf® Tracheostomy Tubes with Talk Attachment					
Product	Tube Size	Tube I.D.	Tube O.D.	Tube Length	Units Per Case
855150	5.0 mm	5.0 mm	7.3 mm	60.0 mm	1
855160	6.0 mm	6.0 mm	8.7 mm	70.0 mm	1
855170	7.0 mm	7.0 mm	10.0 mm	80.0 mm	1
855180	8.0 mm	8.0 mm	11.0 mm	88.0 mm	1
855190	9.0 mm	9.0 mm	12.3 mm	98.0 mm	1



BRCA90

Bivona® Inner Cannula			
Product	Description	Inner Cannula Compatible	Units Per Case
BRCA70	Inner Cannula for 7.0 mm tube	5.5 mm	10
BRCA75	Inner Cannula for 7.5 mm tube	6.0 mm	10
BRCA80	Inner Cannula for 8.0 mm tube	6.5 mm	10
BRCA85	Inner Cannula for 8.5 mm tube	7.0 mm	10
BRCA90	Inner Cannula for 9.0 mm tube	7.5 mm	10
BRC270	Inner Cannula for 7.0 mm tube	5.5 mm	2
BRC275	Inner Cannula for 7.5 mm tube	6.0 mm	2
BRC280	Inner Cannula for 8.0 mm tube	6.5 mm	2
BRC285	Inner Cannula for 8.5 mm tube	7.0 mm	2
BRC290	Inner Cannula for 9.0 mm tube	7.5 mm	2



SAT656

ORDERING INFORMATION

Bivona® Sleep Apnea Tracheostomy Tubes					
Product	Tube Size	Tube I.D.	Tube O.D.	Tube Length	Units Per Case
SAT605	6.0 mm	6.0 mm	9.0 mm	68.0 mm	1
SAT656	6.5 mm	6.5 mm	10.0 mm	73.0 mm	1
SAT757	7.5 mm	7.5 mm	11.0 mm	79.0 mm	1



BOSL5L

Bivona® Laryngectomy Tubes					
Product	Tube Size	Tube I.D.	Tube O.D.	Tube Length	Units Per Case
BOSL1L	9.5 mm	9.5 mm	12.0 mm	85.0 mm	1
BOSL1S	9.5 mm	9.5 mm	12.0 mm	55.0 mm	1
BOSL3L	11.0 mm	11.0 mm	14.0 mm	105.0 mm	1
BOSL3S	11.0 mm	11.0 mm	14.0 mm	55.0 mm	1
BOSL5L	13.0 mm	13.0 mm	16.0 mm	85.0 mm	1
BOSL5S	13.0 mm	13.0 mm	16.0 mm	55.0 mm	1

Bivona® Paediatric Tracheostomy Tubes

Soft, flexible silicone tracheostomy tubes that are for the paediatric anatomy. Available in standard, reinforced, Aire-Cuf® and Fome-Cuf® versions with a choice of flanges to suit your patient's needs.



60HA35



60PFS40

Bivona® Uncuffed Tube Adjustable Neck Flange Hyperflex™ Paediatric “V” Neck Flange Tracheostomy Tubes*

Product	Tube Size	Tube I.D.	Tube O.D.	Maximum Usable Tube Length	Units Per Case
60HA25	2.5 mm	2.5 mm	4.0 mm	55.0 mm	1
60HA30	3.0 mm	3.0 mm	4.7 mm	60.0 mm	1
60HA35	3.5 mm	3.5 mm	5.3 mm	65.0 mm	1
60HA40	4.0 mm	4.0 mm	6.0 mm	70.0 mm	1
60HA45	4.5 mm	4.5 mm	6.7 mm	75.0 mm	1
60HA50	5.0 mm	5.0 mm	7.3 mm	80.0 mm	1
60HA55	5.5 mm	5.5 mm	8.0 mm	85.0 mm	1

Bivona® Uncuffed FlexTend™ Paediatric “V” Neck Flange Tracheostomy Tubes*

Product	Tube Size	Tube I.D.	Tube O.D.	Proximal Length	Distal Length	Units Per Case
60PFS25	2.5 mm	2.5 mm	4.0 mm	20.0 mm	38.0 mm	1
60PFS30	3.0 mm	3.0 mm	4.7 mm	20.0 mm	39.0 mm	1
60PFS35	3.5 mm	3.5 mm	5.3 mm	20.0 mm	40.0 mm	1
60PFS40	4.0 mm	4.0 mm	6.0 mm	20.0 mm	41.0 mm	1
60PFS45	4.5 mm	4.5 mm	6.7 mm	30.0 mm	42.0 mm	1
60PFS50	5.0 mm	5.0 mm	7.3 mm	30.0 mm	44.0 mm	1
60PFS55	5.5 mm	5.5 mm	8.0 mm	30.0 mm	46.0 mm	1

ORDERING INFORMATION

Bivona® Uncuffed FlexTend™ Plus (Extra Length) Paediatric “V” Neck Flange Tracheostomy Tubes*

Product	Tube Size	Tube I.D.	Tube O.D.	Proximal Length	Distal Length	Units Per Case
60PFP40	4.0 mm	4.0 mm	6.0 mm	30.0 mm	44.0 mm	1
60PFP45	4.5 mm	4.5 mm	6.7 mm	30.0 mm	48.0 mm	1
60PFP50	5.0 mm	5.0 mm	7.3 mm	30.0 mm	50.0 mm	1
60PFP55	5.5 mm	5.5 mm	8.0 mm	30.0 mm	52.0 mm	1
60PFP60	6.0 mm	6.0 mm	8.7 mm	30.0 mm	56.0 mm	1

Bivona® Uncuffed FlexTend™ Paediatric “Straight” Neck Flange Tracheostomy Tubes*

Product	Tube Size	Tube I.D.	Tube O.D.	Proximal Length	Distal Length	Units Per Case
60PFSS25	2.5 mm	2.5 mm	4.0 mm	20.0 mm	38.0 mm	1
60PFSS30	3.0 mm	3.0 mm	4.7 mm	20.0 mm	39.0 mm	1
60PFSS35	3.5 mm	3.5 mm	5.3 mm	20.0 mm	40.0 mm	1
60PFSS40	4.0 mm	4.0 mm	6.0 mm	20.0 mm	41.0 mm	1
60PFSS45	4.5 mm	4.5 mm	6.7 mm	30.0 mm	42.0 mm	1
60PFSS50	5.0 mm	5.0 mm	7.3 mm	30.0 mm	44.0 mm	1
60PFSS55	5.5 mm	5.5 mm	8.0 mm	30.0 mm	46.0 mm	1

Bivona® Uncuffed FlexTend™ Plus Paediatric “Straight” Neck Flange Tracheostomy Tubes*

Product	Tube Size	Tube I.D.	Tube O.D.	Proximal Length	Distal Length	Units Per Case
60PFPS40	4.0 mm	4.0 mm	6.0 mm	30.0 mm	44.0 mm	1
60PFPS45	4.5 mm	4.5 mm	6.7 mm	30.0 mm	48.0 mm	1
60PFPS50	5.0 mm	5.0 mm	7.3 mm	30.0 mm	50.0 mm	1
60PFSS55	5.5 mm	5.5 mm	8.0 mm	30.0 mm	52.0 mm	1
60PFSS60	6.0 mm	6.0 mm	8.7 mm	30.0 mm	56.0 mm	1

Bivona® FlexTend™ with TTS™ Cuff Paediatric “V” Neck Tracheostomy Tubes*

Product	Tube Size	Tube I.D.	Tube O.D.	Proximal Length	Distal Length	Units Per Case
67PFS25	2.5 mm	2.5 mm	4.0 mm	20.0 mm	38.0 mm	1
67PFS30	3.0 mm	3.0 mm	4.7 mm	20.0 mm	39.0 mm	1
67PFS35	3.5 mm	3.5 mm	5.3 mm	20.0 mm	40.0 mm	1
67PFS40	4.0 mm	4.0 mm	6.0 mm	20.0 mm	41.0 mm	1
67PFS45	4.5 mm	4.5 mm	6.7 mm	30.0 mm	42.0 mm	1
67PFS50	5.0 mm	5.0 mm	7.3 mm	30.0 mm	44.0 mm	1
67PFS55	5.5 mm	5.5 mm	8.0 mm	30.0 mm	46.0 mm	1

* Packaged individually sterile with obturator, twill tie and disconnection wedge

ORDERING INFORMATION

Bivona® FlexTend™ with TTS™ Cuff Paediatric “V” Neck Tracheostomy Tubes*

Product	Tube Size	Tube I.D.	Tube O.D.	Proximal Length	Distal Length	Units Per Case
67PFSS25	2.5 mm	2.5 mm	4.0 mm	20.0 mm	38.0 mm	1
67PFSS30	3.0 mm	3.0 mm	4.7 mm	20.0 mm	39.0 mm	1
67PFSS35	3.5 mm	3.5 mm	5.3 mm	20.0 mm	40.0 mm	1
67PFSS40	4.0 mm	4.0 mm	6.0 mm	20.0 mm	41.0 mm	1
67PFSS45	4.5 mm	4.5 mm	6.7 mm	30.0 mm	42.0 mm	1
67PFSS50	5.0 mm	5.0 mm	7.3 mm	30.0 mm	44.0 mm	1
67PFSS55	5.5 mm	5.5 mm	8.0 mm	30.0 mm	46.0 mm	1



67PFSS45

Bivona® FlexTend™ with TTS™ Cuff Paediatric “Straight” Neck Tracheostomy Tubes*

Product	Tube Size	Tube I.D.	Tube O.D.	Proximal Length	Distal Length	Units Per Case
67PFSS25	2.5 mm	2.5 mm	4.0 mm	20.0 mm	38.0 mm	1
67PFSS30	3.0 mm	3.0 mm	4.7 mm	20.0 mm	39.0 mm	1
67PFSS35	3.5 mm	3.5 mm	5.3 mm	20.0 mm	40.0 mm	1
67PFSS40	4.0 mm	4.0 mm	6.0 mm	20.0 mm	41.0 mm	1
67PFSS45	4.5 mm	4.5 mm	6.7 mm	30.0 mm	42.0 mm	1
67PFSS50	5.0 mm	5.0 mm	7.3 mm	30.0 mm	44.0 mm	1
67PFSS55	5.5 mm	5.5 mm	8.0 mm	30.0 mm	46.0 mm	1



67PFSS45

Bivona® FlexTend™ Plus (Extra Length) with TTS™ Paediatric “V” Neck Cuff Tracheostomy Tubes*

Product	Tube Size	Tube I.D.	Tube O.D.	Proximal Length	Distal Length	Units Per Case
67PFP40	4.0 mm	4.0 mm	6.0 mm	30.0 mm	44.0 mm	1
67PFP45	4.5 mm	4.5 mm	6.7 mm	30.0 mm	48.0 mm	1
67PFP50	5.0 mm	5.0 mm	7.3 mm	30.0 mm	50.0 mm	1
67PFP55	5.5 mm	5.5 mm	8.0 mm	30.0 mm	52.0 mm	1
67PFP60	6.0 mm	6.0 mm	8.7 mm	30.0 mm	56.0 mm	1



67PFP40

Bivona® FlexTend™ Plus (Extra Length) with TTS™ Paediatric “Straight” Neck Cuff Tracheostomy Tubes*

Product	Tube Size	Tube I.D.	Tube O.D.	Proximal Length	Distal Length	Units Per Case
67PFPS40	4.0 mm	4.0 mm	6.0 mm	30.0 mm	44.0 mm	1
67PFPS45	4.5 mm	4.5 mm	6.7 mm	30.0 mm	48.0 mm	1
67PFPS50	5.0 mm	5.0 mm	7.3 mm	30.0 mm	50.0 mm	1
67PFPS55	5.5 mm	5.5 mm	8.0 mm	30.0 mm	52.0 mm	1
67PFPS60	6.0 mm	6.0 mm	8.7 mm	30.0 mm	56.0 mm	1



67PFPS45

* Packaged individually sterile with obturator, twill tie and disconnection wedge

ORDERING INFORMATION

Bivona® Uncuffed Paediatric “V” Neck Flange Tracheostomy Tubes*

Product	Tube Size	Tube I.D.	Tube O.D.	Tube Length	Units Per Case
60P025	2.5 mm	2.5 mm	4.0 mm	38.0 mm	1
60P030	3.0 mm	3.0 mm	4.7 mm	39.0 mm	1
60P035	3.5 mm	3.5 mm	5.3 mm	40.0 mm	1
60P040	4.0 mm	4.0 mm	6.0 mm	41.0 mm	1
60P045	4.5 mm	4.5 mm	6.7 mm	42.0 mm	1
60P050	5.0 mm	5.0 mm	7.3 mm	44.0 mm	1
60P055	5.5 mm	5.5 mm	8.0 mm	46.0 mm	1



60P040

Bivona® Uncuffed Paediatric “Straight” Neck Flange Tracheostomy Tubes*

Product	Tube Size	Tube I.D.	Tube O.D.	Tube Length	Units Per Case
60SP025	2.5 mm	2.5 mm	4.0 mm	38.0 mm	1
60SP030	3.0 mm	3.0 mm	4.7 mm	39.0 mm	1
60SP035	3.5 mm	3.5 mm	5.3 mm	40.0 mm	1
60SP040	4.0 mm	4.0 mm	6.0 mm	41.0 mm	1
60SP045	4.5 mm	4.5 mm	6.7 mm	42.0 mm	1
60SP050	5.0 mm	5.0 mm	7.3 mm	44.0 mm	1
60SP055	5.5 mm	5.5 mm	8.0 mm	46.0 mm	1



60SP040

Bivona® Aire-Cuf® Paediatric “V” Neck Flange Tracheostomy Tubes*

Product	Tube Size	Tube I.D.	Tube O.D.	Tube Length	Units Per Case
65P025	2.5 mm	2.5 mm	4.0 mm	38.0 mm	1
65P030	3.0 mm	3.0 mm	4.7 mm	39.0 mm	1
65P035	3.5 mm	3.5 mm	5.3 mm	40.0 mm	1
65P040	4.0 mm	4.0 mm	6.0 mm	41.0 mm	1
65P045	4.5 mm	4.5 mm	6.7 mm	42.0 mm	1
65P050	5.0 mm	5.0 mm	7.3 mm	44.0 mm	1
65P055	5.5 mm	5.5 mm	8.0 mm	46.0 mm	1



65P030

Bivona® Aire-Cuf® Paediatric “Straight” Neck Flange Tracheostomy Tubes*

Product	Tube Size	Tube I.D.	Tube O.D.	Tube Length	Units Per Case
65SP025	2.5 mm	2.5 mm	4.0 mm	38.0 mm	1
65SP030	3.0 mm	3.0 mm	4.7 mm	39.0 mm	1
65SP035	3.5 mm	3.5 mm	5.3 mm	40.0 mm	1
65SP040	4.0 mm	4.0 mm	6.0 mm	41.0 mm	1
65SP045	4.5 mm	4.5 mm	6.7 mm	42.0 mm	1
65SP050	5.0 mm	5.0 mm	7.3 mm	44.0 mm	1
65SP055	5.5 mm	5.5 mm	8.0 mm	46.0 mm	1



65SP030

ORDERING INFORMATION

Bivona® TTS™ Cuffed Paediatric “V” Neck Flange Tracheostomy Tubes*

Product	Tube Size	Tube I.D.	Tube O.D.	Tube Length	Units Per Case
67P025	2.5 mm	2.5 mm	4.0 mm	38.0 mm	1
67P030	3.0 mm	3.0 mm	4.7 mm	39.0 mm	1
67P035	3.5 mm	3.5 mm	5.3 mm	40.0 mm	1
67P040	4.0 mm	4.0 mm	6.0 mm	41.0 mm	1
67P045	4.5 mm	4.5 mm	6.7 mm	42.0 mm	1
67P050	5.0 mm	5.0 mm	7.3 mm	44.0 mm	1
67P055	5.5 mm	5.5 mm	8.0 mm	46.0 mm	1



Bivona® TTS™ Cuffed Paediatric “Straight” Neck Tracheostomy Tubes*

Product	Tube Size	Tube I.D.	Tube O.D.	Tube Length	Units Per Case
67SP025	2.5 mm	2.5 mm	4.0 mm	38.0 mm	1
67SP030	3.0 mm	3.0 mm	4.7 mm	39.0 mm	1
67SP035	3.5 mm	3.5 mm	5.3 mm	40.0 mm	1
67SP040	4.0 mm	4.0 mm	6.0 mm	41.0 mm	1
67SP045	4.5 mm	4.5 mm	6.7 mm	42.0 mm	1
67SP050	5.0 mm	5.0 mm	7.3 mm	44.0 mm	1
67SP055	5.5 mm	5.5 mm	8.0 mm	46.0 mm	1



Bivona® Fome-Cuf® Paediatric “V” Neck Flange Tracheostomy Tubes*

Product	Tube Size	Tube I.D.	Tube O.D.	Tube Length	Units Per Case
85P025	2.5 mm	2.5 mm	4.0 mm	38.0 mm	1
85P030	3.0 mm	3.0 mm	4.7 mm	39.0 mm	1
85P035	3.5 mm	3.5 mm	5.3 mm	40.0 mm	1
85P040	4.0 mm	4.0 mm	6.0 mm	41.0 mm	1
85P045	4.5 mm	4.5 mm	6.7 mm	42.0 mm	1
85P050	5.0 mm	5.0 mm	7.3 mm	44.0 mm	1
85P055	5.5 mm	5.5 mm	8.0 mm	46.0 mm	1



Bivona® Neonatal Tracheostomy Tubes

Bivona® silicone neonatal tracheostomy tubes are gentle on the sensitive tissues of the stoma and trachea of these special patients. Wire-reinforced silicone shaft minimizes the risk of kinking while providing a soft, flexible material intended to improve patient comfort.



ORDERING INFORMATION

Bivona® Uncuffed Neonatal “V” Neck Flange Tracheostomy Tubes*

Product	Tube Size	Tube I.D.	Tube O.D.	Tube Length	Units Per Case
60N025	2.5 mm	2.5 mm	4.0 mm	30.0 mm	1
60N030	3.0 mm	3.0 mm	4.7 mm	32.0 mm	1
60N035	3.5 mm	3.5 mm	5.3 mm	34.0 mm	1
60N040	4.0 mm	4.0 mm	6.0 mm	36.0 mm	1



Bivona® Uncuffed Neonatal “Straight” Neck Flange Tracheostomy Tubes*

Product	Tube Size	Tube I.D.	Tube O.D.	Tube Length	Units Per Case
60SN025	2.5 mm	2.5 mm	4.0 mm	30.0 mm	1
60SN030	3.0 mm	3.0 mm	4.7 mm	32.0 mm	1
60SN035	3.5 mm	3.5 mm	5.3 mm	34.0 mm	1
60SN040	4.0 mm	4.0 mm	6.0 mm	36.0 mm	1



Bivona® Uncuffed FlexTend™ Neonatal “V” Neck Flange Tracheostomy Tubes*

Product	Tube Size	Tube I.D.	Tube O.D.	Proximal Length	Distal Length	Units Per Case
60NFP25	2.5 mm	2.5 mm	4.0 mm	20.0 mm	30.0 mm	1
60NFP30	3.0 mm	3.0 mm	4.7 mm	20.0 mm	32.0 mm	1
60NFP35	3.5 mm	3.5 mm	5.3 mm	20.0 mm	34.0 mm	1
60NFP40	4.0 mm	4.0 mm	6.0 mm	20.0 mm	36.0 mm	1



* Packaged individually sterile with obturator, twill tie and disconnection wedge

ORDERING INFORMATION

Bivona® Uncuffed FlexTend™ Neonatal “Straight” Neck Flange Tracheostomy Tubes*

Product	Tube Size	Tube I.D.	Tube O.D.	Proximal Length	Distal Length	Units Per Case
60NFPS25	2.5 mm	2.5 mm	4.0 mm	20.0 mm	30.0 mm	1
60NFPS30	3.0 mm	3.0 mm	4.7 mm	20.0 mm	32.0 mm	1
60NFPS35	3.5 mm	3.5 mm	5.3 mm	20.0 mm	34.0 mm	1
60NFPS40	4.0 mm	4.0 mm	6.0 mm	20.0 mm	36.0 mm	1



Bivona FlexTend™ with TTS™ Cuff Neonatal “V” Neck Flange Tracheostomy Tubes*

Product	Tube Size	Tube I.D.	Tube O.D.	Proximal Length	Distal Length	Units Per Case
67NFP25	2.5 mm	2.5 mm	4.0 mm	20.0 mm	30.0 mm	1
67NFP30	3.0 mm	3.0 mm	4.7 mm	20.0 mm	32.0 mm	1
67NFP35	3.5 mm	3.5 mm	5.3 mm	20.0 mm	34.0 mm	1
67NFP40	4.0 mm	4.0 mm	6.0 mm	20.0 mm	36.0 mm	1



Bivona FlexTend™ with TTS™ Cuff Neonatal “Straight” Neck Flange Tracheostomy Tubes*

Product	Tube Size	Tube I.D.	Tube O.D.	Proximal Length	Distal Length	Units Per Case
67NFPS25	2.5 mm	2.5 mm	4.0 mm	20.0 mm	30.0 mm	1
67NFPS30	3.0 mm	3.0 mm	4.7 mm	20.0 mm	32.0 mm	1
67NFPS35	3.5 mm	3.5 mm	5.3 mm	20.0 mm	34.0 mm	1
67NFPS40	4.0 mm	4.0 mm	6.0 mm	20.0 mm	36.0 mm	1



Bivona® Aire-Cuf® Neonatal “V” Neck Flange Tracheostomy Tubes*

Product	Tube Size	Tube I.D.	Tube O.D.	Tube Length	Units Per Case
65N025	2.5 mm	2.5 mm	4.0 mm	30.0 mm	1
65N030	3.0 mm	3.0 mm	4.7 mm	32.0 mm	1
65N035	3.5 mm	3.5 mm	5.3 mm	34.0 mm	1
65N040	4.0 mm	4.0 mm	6.0 mm	36.0 mm	1



Bivona® Aire-Cuf® Neonatal “Straight” Neck Flange Tracheostomy Tubes*

Product	Tube Size	Tube I.D.	Tube O.D.	Tube Length	Units Per Case
65SN025	2.5 mm	2.5 mm	4.0 mm	30.0 mm	1
65SN030	3.0 mm	3.0 mm	4.7 mm	32.0 mm	1
65SN035	3.5 mm	3.5 mm	5.3 mm	34.0 mm	1
65SN040	4.0 mm	4.0 mm	6.0 mm	36.0 mm	1



* Packaged individually sterile with obturator, twill tie and disconnection wedge

ORDERING INFORMATION

Bivona® TTS™ Cuffed Neonatal “V” Neck Flange Tracheostomy Tubes*

Product	Tube Size	Tube I.D.	Tube O.D.	Tube Length	Units Per Case
67N025	2.5 mm	2.5 mm	4.0 mm	30.0 mm	1
67N030	3.0 mm	3.0 mm	4.7 mm	32.0 mm	1
67N035	3.5 mm	3.5 mm	5.3 mm	34.0 mm	1
67N040	4.0 mm	4.0 mm	6.0 mm	36.0 mm	1



Bivona® TTS™ Cuffed Neonatal “Straight” Neck Flange Tracheostomy Tubes*

Product	Tube Size	Tube I.D.	Tube O.D.	Tube Length	Units Per Case
67SN025	2.5 mm	2.5 mm	4.0 mm	30.0 mm	1
67SN030	3.0 mm	3.0 mm	4.7 mm	32.0 mm	1
67SN035	3.5 mm	3.5 mm	5.3 mm	34.0 mm	1
67SN040	4.0 mm	4.0 mm	6.0 mm	36.0 mm	1



Bivona® Fome-Cuf® Neonatal “V” Neck Flange Tracheostomy Tubes*

Product	Tube Size	Tube I.D.	Tube O.D.	Tube Length	Units Per Case
85N030	3.0 mm	3.0 mm	4.7 mm	32.0 mm	1
85N035	3.5 mm	3.5 mm	5.3 mm	34.0 mm	1
85N040	4.0 mm	4.0 mm	6.0 mm	36.0 mm	1



Bivona® Customised Tubes

Special problems require special solutions. At Smiths Medical we understand the need to put your patient first. We can craft a comprehensive range of tubes from sizes and features from which you choose.

Together we review your patient's requirements, provide you with convenient order templates and, upon your written approval, we will assemble a tracheostomy tube to address your patient needs.

Our broad range of customisation options:

TUBE SHAFT STYLE

- Standard Silicone
- Hyperflex™ Wire Reinforced Silicone

CURVATURE

- Standard Anatomical
- Pre-Curve Shaft
- Hyperflex™ Wire Reinforced Flexible

LENGTH

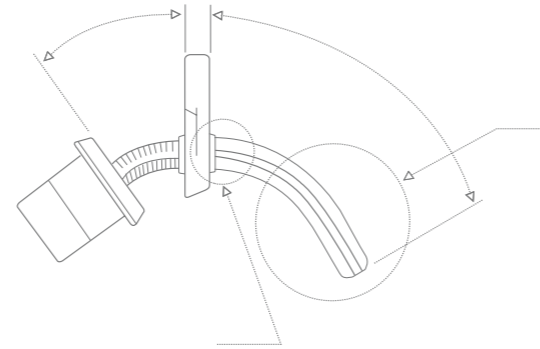
- Standard Extensive Range
- I.D./O.D.
- Comprehensive range to choose from

CUFF DESIGN

- Fome-Cuf® Cuff
- Aire-Cuf® Cuff
- TTS™ Cuff
- Cuffless

NECK FLANGE

- Adult
- Neonatal ("V" and "Straight")
- Paediatric ("V" and "Straight")
- Fixed
- Adjustable



Bivona® Tracheostoma Vents



BV0818

ORDERING INFORMATION

Tracheostoma Vents					
Product	Tube Size	Tube I.D.	Tube O.D.	Tube Length	Units Per Case
BV0818	8	9.5 mm	12.0 mm	18.0 mm	1
BV0827	8	9.5 mm	12.0 mm	27.0 mm	1
BV0836	8	9.5 mm	12.0 mm	36.0 mm	1
BV0855	8	9.5 mm	12.0 mm	55.0 mm	1
BV0918	9	10.5 mm	13.5 mm	18.0 mm	1
BV0927	9	10.5 mm	13.5 mm	27.0 mm	1
BV0936	9	10.5 mm	13.5 mm	36.0 mm	1
BV0955	9	10.5 mm	13.5 mm	55.0 mm	1
BV1018	10	12.0 mm	15.0 mm	18.0 mm	1
BV1027	10	12.0 mm	15.0 mm	27.0 mm	1
BV1036	10	12.0 mm	15.0 mm	36.0 mm	1
BV1055	10	12.0 mm	15.0 mm	55.0 mm	1
BV1227	12	13.5 mm	17.0 mm	27.0 mm	1
BV1236	12	13.5 mm	17.0 mm	36.0 mm	1
BV1255	12	13.5 mm	17.0 mm	55.0 mm	1

Cricothyroidotomy Kits & Suction Therapy

ORDERING INFORMATION



PCK Emergency Cricothyroidotomy Kit		
Product	Description	Units Per Case
100/465/060CZ	PCK emergency cricothyroidotomy kit	1



Mini-Trach® Seldinger II Kit		
Product	Description	Units Per Case
100/461/000	Mini-Trach®-Set II Seldinger	5



Mini-Trach® II Kit		
Product	Description	Units Per Case
100/462/000	Mini-Trach®-Set II	10

Tracheostomy Ancillary Products and Accessories

ORDERING INFORMATION



100/503/200

Tracheostomy Tube Holders with VELCRO® Brand Fasteners		
Product	Description	Units Per Case
520000	Adult	100
520001	Pediatric	100
520002	Infant	100
100/503/200	Width 25 mm	10



100/503/200

Tracheostomy Tube Straps			
Product Code	Description	Max Neck Size (mm)	Units Per Case
69-0600TS	Child to Adult Standard One-Piece. 1 3/8" wide extra cushioned	559	100
69-0675TS	Child to Adult 38.1 (mm) wide extra cushioned	610	100
69-0680TS	Child to Adult 25.4 (mm) wide extra cushioned	457	100
69-0685TS	Tracheostomy Strap	508	100



51900



REDCAP



100/555/100



CON15S

Tracheostomy Accessories		
Product Code	Description	Per Case
519000	Portex® Decannulation Cap	10
REDCAP	Bivona® Decannulation Cap	26
100/550/000	Orator Tracheostomy Speaking Valve	2
DRYPORT	DryPort Kit™	1
525350	PEEP-Keep™ Dual Axis Swivel Adapter (non-sterile)	50
525351	PEEP-Keep™ Dual Axis Swivel Adapter (sterile)	50
DWG300	Bivona® 15 mm Disconnection Wedge	25
100/555/100	Tracheostomy Tube Disconnection Wedge	10
CMD006	Cuff Maintenance Device with 60 cc Syringe and Stopcock	6
100/544/000CZ	Spare Guidewires for use with GRIGGS® and ULTRAPerc® PDT Kits	5
100/549/000CZ	Spare Guidewires for use with UniPerc® PDT Kits	5
100/892/200CZ	Foam cleaning swabs	40
BICSWB	Bivona® Inner Cannula Cleaning Swab	30
100/855/000CZ	Blue Line Ultra® Inner Cannula Cleaning Brushes	40
CON15S	SidePort™ Connectors	50
EP0050	Epistaxis Catheter	1



100/855/000



100/892/200

ORDERING INFORMATION



100/568/000

Cuff Inflator Pressure Gauge		
Product	Description	Units Per Case
100/568/000	Cuff Inflator Pressure Gauge with Connecting Tubes	1
100/569/000	Separate Connecting Tubes	10



002400

Tracheostomy Mask and Connectors		
Product	Description	Units Per Case
002400	Tracheostomy Mask, vinyl, adult	50
002640	Venturi aerosol tracheostomy mask, adult, 24-50%	25
001575	Tracheostomy T-piece. 15 mm I.D./22 mm O.D.	50



UNI100

Training Demonstration Head		
Product	Description	Units Per Case
UNI100	UniPerc® trainer and case	1
UNI101	UniPerc® trauma kit (2 tracheas and 4 skins)	1
UNI102	UniPerc® replacement neck foam	2
UNI103	UniPerc® Replacement Case	1



TOT100

Training Demonstration Head		
Product	Description	Units Per Case
TOT100	Tracheostomy Trainer & Case	1
TOT101	Trauma Kit (2 Tracheas & 4 skins)	1
TOT102	Replacement Thyroid	1
TOT104	Black Carry Case	1
TOT106	4 Replacement Skins	1
TOT107	4 Replacement Tracheas	1



CYT100

Training Demonstration Head		
Product	Description	Units Per Case
CYT100SM	Cricotracheostomy Trainer & Case	1
CYT101SM	Trauma Kit (2 Tracheas & 4 skins)	1
CYT102SM	Tracheal Rings	1
CYT103SM	Neck Muscle	1
CYT104SM	2 Replacement Tracheas	1
CYT105SM	2 Replacement Skins	1
CYT106SM	Silver Aluminum Carry Case	1

Index

SYMBOLS

60A150..... 17	60PFS30..... 20	65SP045..... 23	67PFS45..... 21	100/462/000..... 30
60A160..... 17	60PFS35..... 20	65SP050..... 23	67PFS50..... 21	100/465/060..... 30
60A170..... 17	60PFS40..... 20	65SP055..... 23	67PFS55..... 21	100/503/200..... 31
60A180..... 17	60PFS45..... 20	67FHXL60..... 17	67PFSS25..... 22	100/506/030..... 15
60A190..... 17	60PFS50..... 20	67FHXL70..... 17	67PFSS30..... 22	100/506/035..... 15
60AFHXL60..... 17	60PFS55..... 20	67FHXL80..... 17	67PFSS35..... 22	100/506/040..... 15
60AFHXL70..... 17	60PFSS25..... 21	67FHXL90..... 17	67PFSS40..... 22	100/506/045..... 15
60AFHXL80..... 17	60PFSS30..... 21	67HA60..... 16	67PFSS45..... 22	100/506/050..... 15
60AFHXL90..... 17	60PFSS35..... 21	67HA70..... 16	67PFSS50..... 22	100/541/070..... 7
60HA25..... 20	60PFSS40..... 21	67HA80..... 16	67PFSS55..... 22	100/541/080..... 7
60HA30..... 20	60PFSS45..... 21	67HA90..... 16	67SN025..... 27	100/541/090..... 7
60HA35..... 20	60PFSS50..... 21	67N025..... 27	67SN030..... 27	100/543/070..... 7
60HA40..... 20	60PFSS55..... 21	67N030..... 27	67SN035..... 27	100/543/080..... 7
60HA45..... 20	60PFSS60..... 21	67N035..... 27	67SN040..... 27	100/543/090..... 7
60HA50..... 20	60SN025..... 25	67N040..... 27	67SP025..... 24	100/544/000CZ..... 31
60HA55..... 20	60SN030..... 25	67NFP25..... 26	67SP030..... 24	100/549/000CZ..... 31
60N025..... 25	60SN035..... 25	67NFP30..... 26	67SP035..... 24	100/550/000..... 31
60N030..... 25	60SN040..... 25	67NFP35..... 26	67SP040..... 24	100/555/100..... 31
60N035..... 25	60SP025..... 23	67NFP40..... 26	67SP045..... 24	100/561/070..... 11
60N040..... 25	60SP030..... 23	67NFPS25..... 26	67SP050..... 24	100/561/080..... 11
60NFP25..... 25	60SP035..... 23	67NFPS30..... 26	67SP055..... 24	100/561/090..... 11
60NFP30..... 25	60SP040..... 23	67NFPS35..... 26	69-0600TS..... 31	100/562/000..... 11
60NFP35..... 25	60SP045..... 23	67NFPS40..... 26	69-0675TS..... 31	100/563/070..... 11
60NFP40..... 25	60SP050..... 23	67P025..... 24	69-0680TS..... 31	100/563/080..... 11
60NFPS25..... 26	60SP055..... 23	67P030..... 24	69-0685TS..... 31	100/563/090..... 11
60NFPS30..... 26	65N025..... 26	67P035..... 24	75FHXL60..... 16	100/568/000..... 32
60NFPS35..... 26	65N030..... 26	67P040..... 24	75FHXL70..... 16	100/569/000..... 32
60NFPS40..... 26	65N035..... 26	67P045..... 24	75FHXL80..... 16	100/597/070..... 9
60P025..... 23	65N040..... 26	67P050..... 24	75FHXL90..... 16	100/597/080..... 9
60P030..... 23	65P025..... 23	67P055..... 24	75HA60..... 16	100/597/090..... 9
60P035..... 23	65P030..... 23	67PFP40..... 22	75HA70..... 16	100/800/060..... 12
60P040..... 23	65P035..... 23	67PFP45..... 22	75HA80..... 16	100/800/070..... 12
60P045..... 23	65P040..... 23	67PFP50..... 22	75HA90..... 16	100/800/075..... 12
60P050..... 23	65P045..... 23	67PFP55..... 22	85N030..... 27	100/800/080..... 12
60P055..... 23	65P050..... 23	67PFP60..... 22	85N035..... 27	100/800/085..... 12
60PFP40..... 21	65P055..... 23	67PFPS40..... 22	85N040..... 27	100/800/090..... 12
60PFP45..... 21	65SN025..... 26	67PFPS45..... 22	85P025..... 24	100/800/100..... 12
60PFP50..... 21	65SN030..... 26	67PFPS50..... 22	85P030..... 24	100/802/060..... 13
60PFP55..... 21	65SN035..... 26	67PFPS55..... 22	85P035..... 24	100/802/070..... 13
60PFP60..... 21	65SN040..... 26	67PFPS60..... 22	85P040..... 24	100/802/075..... 13
60PFPS40..... 21	65SP025..... 23	67PFS25..... 21	85P045..... 24	100/802/080..... 13
60PFPS45..... 21	65SP030..... 23	67PFS30..... 21	85P050..... 24	100/802/085..... 13
60PFPS50..... 21	65SP035..... 23	67PFS35..... 21	85P055..... 24	100/802/090..... 13
60PFS25..... 20	65SP040..... 23	67PFS40..... 21	100/461/000..... 30	100/802/100..... 13

100/810/060.....	12	100/860/090.....	14	755150.....	18	BV1227.....	29
100/810/070.....	12	100/860/100.....	14	755160.....	18	BV1236.....	29
100/810/075.....	12	100/870/060.....	15	755170.....	18	BV1255.....	29
100/810/080.....	12	100/870/070.....	15	755180.....	18	C	
100/810/085.....	12	100/870/075.....	15	755190.....	18	CMD006.....	31
100/810/090.....	12	100/870/080.....	15	755195.....	18	CON15S.....	31
100/810/100.....	12	100/870/085.....	15	850150.....	18	CYT100SM.....	32
100/811/060.....	13	100/870/090.....	15	850160.....	18	CYT101SM.....	32
100/811/070.....	13	100/870/100.....	15	850170.....	18	CYT102SM.....	32
100/811/075.....	13	100/890/070.....	9	850180.....	18	CYT103SM.....	32
100/811/080.....	13	100/890/080.....	9	850190.....	18	CYT104SM.....	32
100/811/085.....	13	100/890/090.....	9	850195.....	18	CYT105SM.....	32
100/811/090.....	13	100/891/070.....	7	855150.....	18	CYT106SM.....	32
100/811/100.....	13	100/891/080.....	7	855160.....	18	D	
100/812/060.....	13	100/891/090.....	7	855170.....	18	DRYPORT.....	31
100/812/070.....	13	100/892/200.....	9	855180.....	18	DWG300.....	31
100/812/075.....	13	100/892/200CZ.....	31	855190.....	18	E	
100/812/080.....	13	100/893/070.....	7	B		EP0050.....	31
100/812/085.....	13	100/893/080.....	7	BICSWB.....	31	R	
100/812/090.....	13	100/893/090.....	7	BOSL1L.....	19	REDCAP.....	31
100/812/100.....	13	100/897/070.....	9	BOSL1S.....	19	S	
100/813/060.....	14	100/897/080.....	9	BOSL3L.....	19	SAT605.....	19
100/813/070.....	14	100/897/090.....	9	BOSL3S.....	19	SAT656.....	19
100/813/075.....	14	100/899/070.....	9	BOSL5L.....	19	SAT757.....	19
100/813/080.....	14	100/899/080.....	9	BOSL5S.....	19	T	
100/813/085.....	14	100/899/090.....	9	BRC270.....	18	TOT100.....	32
100/813/090.....	14	001575.....	32	BRC275.....	18	TOT101.....	32
100/813/100.....	14	002400.....	32	BRC280.....	18	TOT102.....	32
100/850/060CZ.....	15	002640.....	32	BRC285.....	18	TOT104.....	32
100/850/070CZ.....	15	519000.....	31	BRC290.....	18	TOT106.....	32
100/850/075CZ.....	15	520000.....	31	BRCA70.....	18	TOT107.....	32
100/850/080CZ.....	15	520001.....	31	BRCA75.....	18	U	
100/850/085CZ.....	15	520002.....	31	BRCA80.....	18	UNI100.....	32
100/850/090CZ.....	15	525350.....	31	BRCA85.....	18	UNI101.....	32
100/850/100CZ.....	15	525351.....	31	BRCA90.....	18	UNI102.....	32
100/851/060CZ.....	15	670150.....	17	BV0818.....	29	UNI103.....	32
100/851/070CZ.....	15	670160.....	17	BV0827.....	29		
100/851/075CZ.....	15	670170.....	17	BV0836.....	29		
100/851/080CZ.....	15	670175.....	17	BV0855.....	29		
100/851/085CZ.....	15	670180.....	17	BV0918.....	29		
100/851/090CZ.....	15	670185.....	17	BV0927.....	29		
100/851/100CZ.....	15	670190.....	17	BV0936.....	29		
100/855/000CZ.....	31	750150.....	17	BV0955.....	29		
100/860/060.....	14	750160.....	17	BV1018.....	29		
100/860/070.....	14	750170.....	17	BV1027.....	29		
100/860/075.....	14	750180.....	17	BV1036.....	29		
100/860/080.....	14	750190.....	17	BV1055.....	29		
100/860/085.....	14	750195.....	17				

References

1. Griggs WM, Myburgh JA, Worthley LIG. A prospective comparison of a percutaneous tracheostomy technique with standard surgical tracheostomy. *Int Care Med* 1991; 17: 261-263.
2. Leinhardt DJ, Mughal M, Bowles B, Glew R, Kishen R et al. *Br J Surg* 1992; 79: 255-258.

For more information visit our website at www.smiths-medical.com

PRODUCT(S) DESCRIBED MAY NOT BE LICENSED OR AVAILABLE FOR SALE IN CANADA AND OTHER COUNTRIES

Smiths Medical Australasia Pty, Ltd.

Suite 2.03, 97 Waterloo Road
Macquarie Park NSW 2113 Australia
Tel AU: 1800 654 949

www.smiths-medical.com

Distributed by

USL Medical
494 Rosebank Road
Avondale, 1026 New Zealand
Tel NZ: 0800 658 814

MHYTCA-1261

smiths medical

Find your local contact information at: www.smiths-medical.com/customer-support

Smiths Medical is part of the global technology business Smiths Group plc. Please see the Instructions for Use/Operator's Manual for a complete listing of the indications, contraindications, warnings and precautions. Bivona, ULTRAperc, GRIGGS, UniPerc, Blue Line Ultra, Suctionaid, Trach-Talk, TTS, Hyperflex, Aire-Cuf, Fome-Cuf, FlexTend, Mini-Trach, SidePort, DryPort Kit, PEEP-Keep, SOFT SEAL, Saf T Flo and the Smiths Medical and design mark are trademarks of Smiths Medical. The symbol ® indicates the trademark is registered in the U.S. Patent and Trademark Office and certain other countries. All other names and marks mentioned are the trademarks or service marks of their respective owners. The products referenced are CE-marked.
©2018 Smiths Medical. All rights reserved. SM196406GBAUS-072018