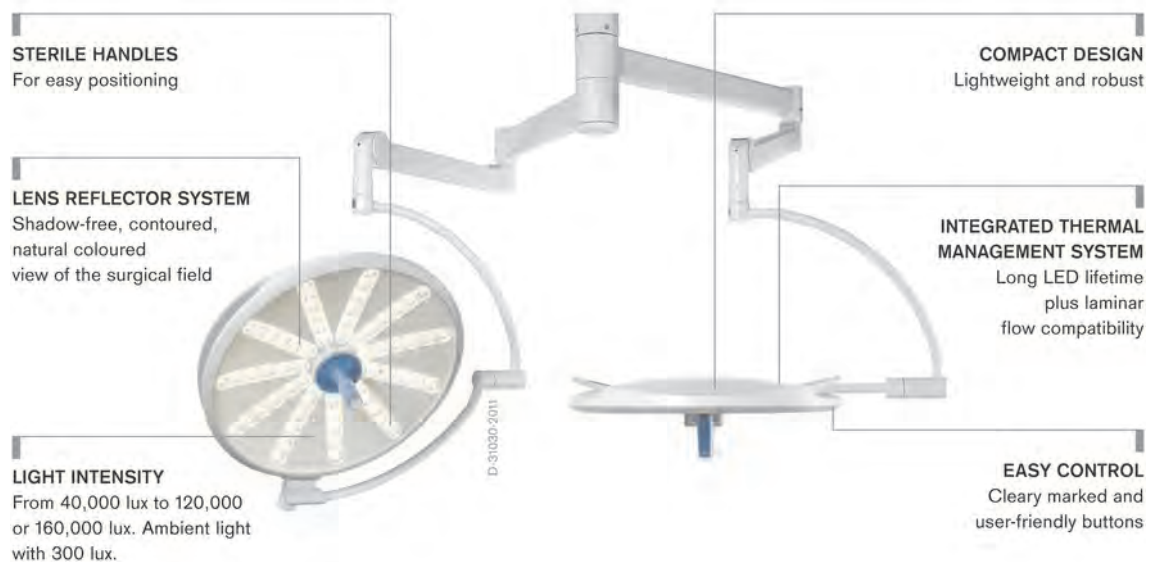


Polaris® 100/200 Medical Lights and Video

In the operating room, the right illumination is essential for success. The Polaris® 100/200 surgical illumination systems provide cool light with natural colours and rich-contrast for thousands of hours of carefree operation without straining on your hospital's budget.



Benefits

LED technology in the OR

LEDs are highly efficient light sources for surgical applications. Dräger has now combined the advantages of this innovative light source with a new, extremely compact, lightweight yet robust design that includes individual lens reflectors for enhanced output and shadow control. Even the little heat produced by the LEDs is regulated and dissipated by an integrated Thermal Management System. The maximum light head temperature (upper surface) will not exceed 35 °C*. With an average operational lifetime of 50,000 hours, this LED technology is as reliable as affordable.

* At a room temperature of 20 °C.

The Polaris 100

The all new, highly compact Polaris 100 features 48 LEDs with an output range of 40,000 to 120,000 lux. A special mode provides ambient light from a single LED to support minimal invasive procedures. The sleek yet very sturdy light head weights just 13 kg and makes positioning extremely easy and comfortable. Without any moving parts in the light head this system requires almost no maintenance. With a color temperature of 5,600 K, which corresponds to natural sunlight at noon, this OR light achieves a color rendering index of Ra 95 and a color rendition index of R9 93, which ensure rich contrast and natural color image without compromising the red tones.

The Polaris 200

Without changing the external dimensions or design, the Polaris 200 gives you additional 18 LEDs for a total of 66. This translates to a maximum output of 160,000 lux. The light intensity can be easily dimmed down to 40,000 lux. Color temperature and rendering index are identical to those of the Polaris 100.

Each LED is equipped with its own lens reflector system. The homogenous light column of both lights provides the surgeon with a shadow-controlled, contour-rich, natural color view of the surgical field.

Compact design, simple operation

The classic round design includes integrated handles for nonsterile personnel and touch panel controls for easy handling and operation. Sterile personnel can position the Polaris 100/200 easily with the central sterile handle. Each of the four clearly marked control buttons performs a single function, and an optional, wall-mounted control panel is also available. The smooth, seamless casing makes cleaning quick and simple, while its lightweight construction ensures practically effortless positioning.

Easy installation and maintenance

The straightforward design philosophy of the Polaris 100/200 makes installation and maintenance very easy. The light heads are controlled by the proven Powerline Communication (PLC) system.

Benefits

The Polaris 100/200: Simply good light!

The Polaris 100/200 surgical illumination system is an economical, high-performance solution for your daily surgical routine. This workhorse is designed for years of carefree operation and minimal maintenance. Its exceptional reliability and price/performance ratio will help you reduce investment costs today as well as maintenance and operating costs tomorrow.

High-performance light head

With the Polaris light your hospital is equipped with state of the art, high performance LED technology combined with a functional, high quality design. The Polaris is approved as both a surgical light and a treatment light and is available with a choice of light intensity and colour temperature. With up to 160,000 lux and a smooth cardanic mounting for exact positioning, the mobile version has no functional limitations.

Height adjustment for ideal working conditions

Height adjustment supported by pneumatic springs allows for effortless adaptation to transport and operating conditions. In the fully extended position a working height of 2,175 mm is reached under the light head – ideal also for tall surgeons. The transport height of the Polaris 100/200 Mobile, however, is only 1,850 mm.

Powerful battery backup

In the event of a mains power failure, the integrated battery provides uninterrupted power to the light with at least three hours guaranteed supply. As soon as the battery falls below a charging state of 25 % – this equals a remaining operating time of approx. 45 minutes – you will be warned by an integrated, acoustic reminder message. LED status indicators on the trolley also show the status of the power supply and state of charge of the battery.

Natural colours

With a colour-rendering index Ra of 95 and a colour-rendering index R9 93, the Polaris system offers you a contrast-rich and natural illumination without compromising red tones. The Polaris 100/200 lighting system can be equipped with warm white, neutral white or cold white (4,400 K, 5,000 K or 5,600 K) LED lights.

Application areas of the Polaris 100/200 Mobile

The mobile Polaris light can be used as an additional single light in the OR – for example, for cardiovascular interventions where the patient has to undergo several procedures at the same time. Of course the high-quality mobile light can also be used in the ER or in treatment rooms. The mobile Polaris 100/200 is especially useful when it is not possible to install a fixed, ceiling-mounted light due to unsuitable infrastructure. The trolley features a fully closed cover, which ensures the light is easy to clean. The rear double castors are equipped with locking brakes.

Related Products



D-17428-2014

Dräger Polaris® 600

Our OR light is state of the art: The Dräger Polaris® 600 makes your working day a lot easier – with intuitive controls and versatile configuration options. The future-proof system concept remains true to the philosophy of the product family providing you with simply good light.



Polaris® 50

The Polaris® 50 is ideal for everyday hospital life, which is becoming more and more challenging. Whether it is in the examination room, in intensive care or in the OR-induction room – the Polaris® 50 always provides high-contrast, colour-stable light. In addition, the treatment light is flexible to handle and easy to use so that you can make the right decisions more quickly.



MT-5877-2008

Agila® Ceiling Supply Unit

Featuring a wide range of configurations and options to choose from, the compact and highly ergonomic Dräger Agila® family uses a minimum of precious care care-area.



MT-6363-2008

Movita® Ceiling Supply Unit

Featuring a wide range of configurations and options to choose from, the versatile Dräger Movita® family gives you enhanced loading capacity together with virtually unlimited positioning capability.

Technical Data

DRÄGER POLARIS® 100/200

	Polaris® 100	Polaris® 200
Diameter of light heads	620 mm	620 mm
Illuminance in 1 m distance at 5,600 K	40,000 lux to 120,000 lux	40,000 lux to 160,000 lux
Light field diameter	200 mm	200 mm
Colour temperature	4,400 K / 5,000 K / 5,600 K ¹	4,400 K / 5,000 K / 5,600 K ¹
Colour rendering-index Ra	95	95
Colour rendition index (red) R9	93	93
Depth of illumination (L1 + L2 (20 %))	1,300 mm	1,300 mm
Light source	48 LED	66 LED
Lifetime LED ² [h]	approx. 50,000 h	approx. 50,000 h
Power supply / power consumption ³ (typ.)	at 100 – 240 V (AC) 100 VA at 24 V (AC) 70 VA at 24 V (DC) 56 W	at 100 – 240 V (AC) 120 VA at 24 V (AC) 90 VA at 24 V (DC) 69 W

¹ Lights are produced with the desired colour temperature.

² All LEDs loose 20 % of their intensity during this time.

³ The typical power consumption comprises of the entire lighting system, including power supply component and light head and is measured at the highest light intensity.

MOBILE TROLLEY

Trolley width	760 mm
Trolley height in transport position	1,850 mm
Working height under the light head in operating position	2,175 mm
Height adjustment telescopic tube	400 mm
Horizontal swivel range of the spring arm	± 15°
Battery charging time	24 h
Bridging time in case of power supply failure (for fully charged battery)	≥ 180 min
Weight mobile trolley (incl. spring arm and light head)	130 kg

All specifications include tolerances.

Notes

Notes

Notes

CORPORATE HEADQUARTERS

Drägerwerk AG & Co. KGaA
Moislinger Allee 53–55
23558 Lübeck, Germany
www.draeger.com

Manufacturer:

Drägerwerk AG & Co. KGaA
Moislinger Allee 53-55
23558 Lübeck, Germany

REGION EUROPE CENTRAL AND EUROPE NORTH

Drägerwerk AG & Co. KGaA
Moislinger Allee 53-55
23558 Lübeck, Germany
Tel +49 451 882 0
Fax +49 451 882 2080
info@draeger.com

REGION EUROPE SOUTH

Dräger Médical S.A.S.
Parc de Haute Technologie
d'Antony 2
25, rue Georges Besse
92182 Antony Cedex, France
Tel +33 1 46 11 56 00
Fax +33 1 40 96 97 20
d1mfr-contact@draeger.com

REGION MIDDLE EAST, AFRICA

Drägerwerk AG & Co. KGaA
Branch Office
P.O. Box 505108
Dubai, United Arab Emirates
Tel +971 4 4294 600
Fax +971 4 4294 699
contactuae@draeger.com

REGION ASIA / PACIFIC

Draeger Medical
South East Asia Pte Ltd.
25 International Business Park
#04-27/29 German Centre
Singapore 609916, Singapore
Tel +65 6572 4388
Fax +65 6572 4399
asia.pacific@draeger.com

REGION CENTRAL AND SOUTH AMERICA

Dräger Panama Comercial
S. de R.L.
Complejo Business Park,
V tower, 10th floor
Panama City
Tel +507 377 9100
Fax +507 377 9130
contactcsa@draeger.com

Locate your Regional Sales
Representative at:
www.draeger.com/contact

