

# VESTABOARD

## Place this installation template on the wall to visualize placement of your Vestaboard

Estimate the approximate location of your Vestaboard, then trace the slots to mark locations for wall outlet and included wall mount plate based on determined stud location. Remove the pre-applied adhesive from the back of this template before placing on the wall.

### We recommend one of the following outlet orientations for optimal presentation

You are responsible for hiring a licensed electrician capable of installing a power source in the matter you determine appropriate for your setting. Longer accessory power cables are available for other installations where the outlet is below the Vestaboard. Scan the QR code for more information.

### ⚠ Please be careful!

**Important - Plug the power cord into your Vestaboard after mounting and after placing the frame by gently lifting the frame from the bottom**

This product is intended for indoor use only. This product was designed to be installed on wood stud, solid concrete or cinder block walls. Before installing, make sure the supporting surface will support the combined load of the equipment and hardware. If you are unsure about the construction of the wall, please contact a professional installer. Or, our nationwide network of trained providers are here to help. When installing, screws must be tightly secured. Do not overtighten screws or damage can occur and product may fail. Never exceed the mount's maximum load capacity of 55 lbs or 25 kg. Always use an assistant to safely lift and position equipment. Be careful not to pinch fingers when opening and closing mount from the wall. It is the responsibility of the installer to ensure no parts are damaged or missing and that all components are properly assembled and installed using the instructions provided. Failure to follow these instructions could lead to product failure or personal injury. For support, please email us at [support@vestaboard.com](mailto:support@vestaboard.com)

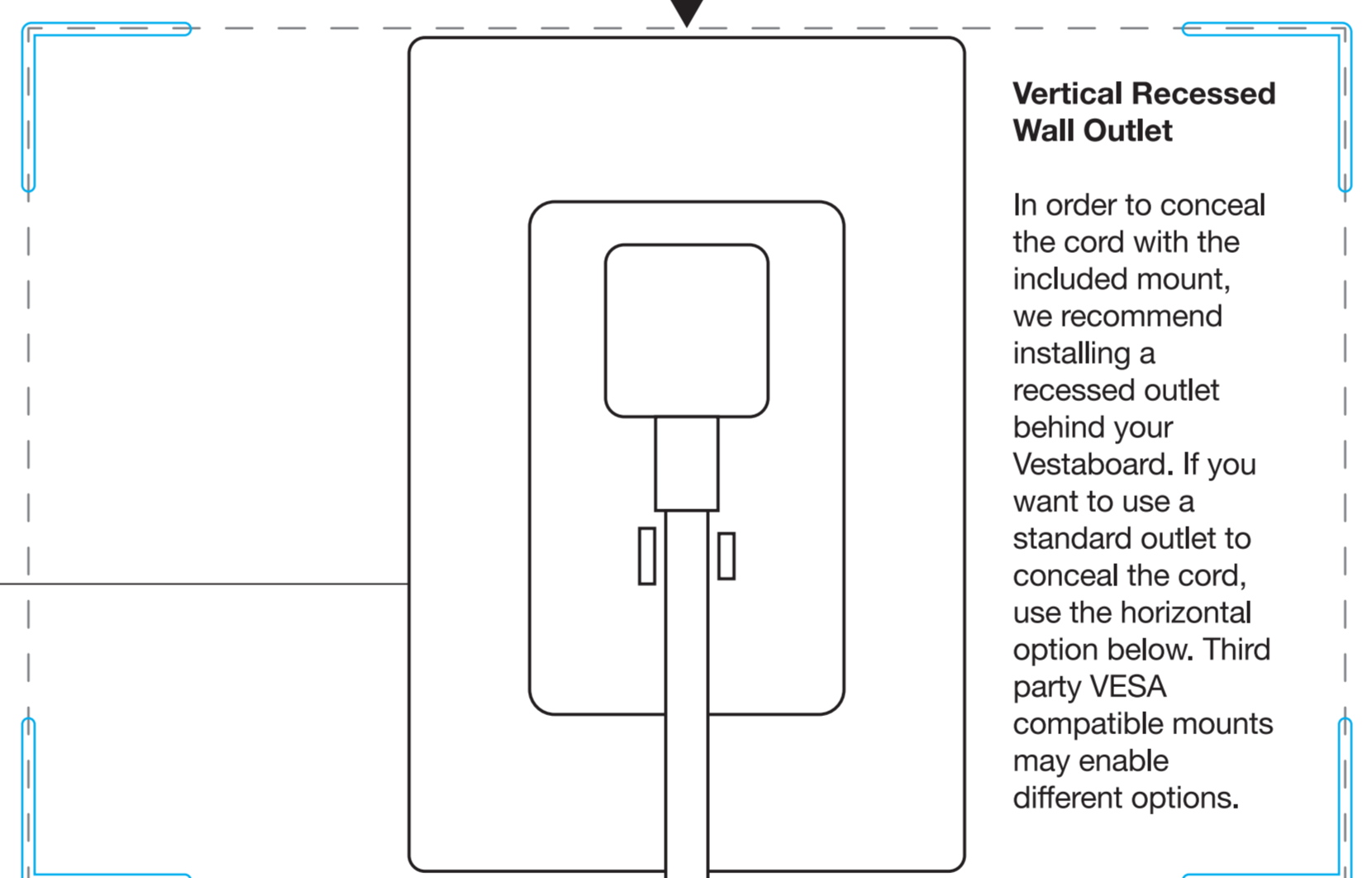
Regarding the information contained in this document, Vestaboard makes no representation of warranty, expressed or implied, and assumes no responsibility for accuracy, sufficiency or completeness of information.

center



78 mm  
3"

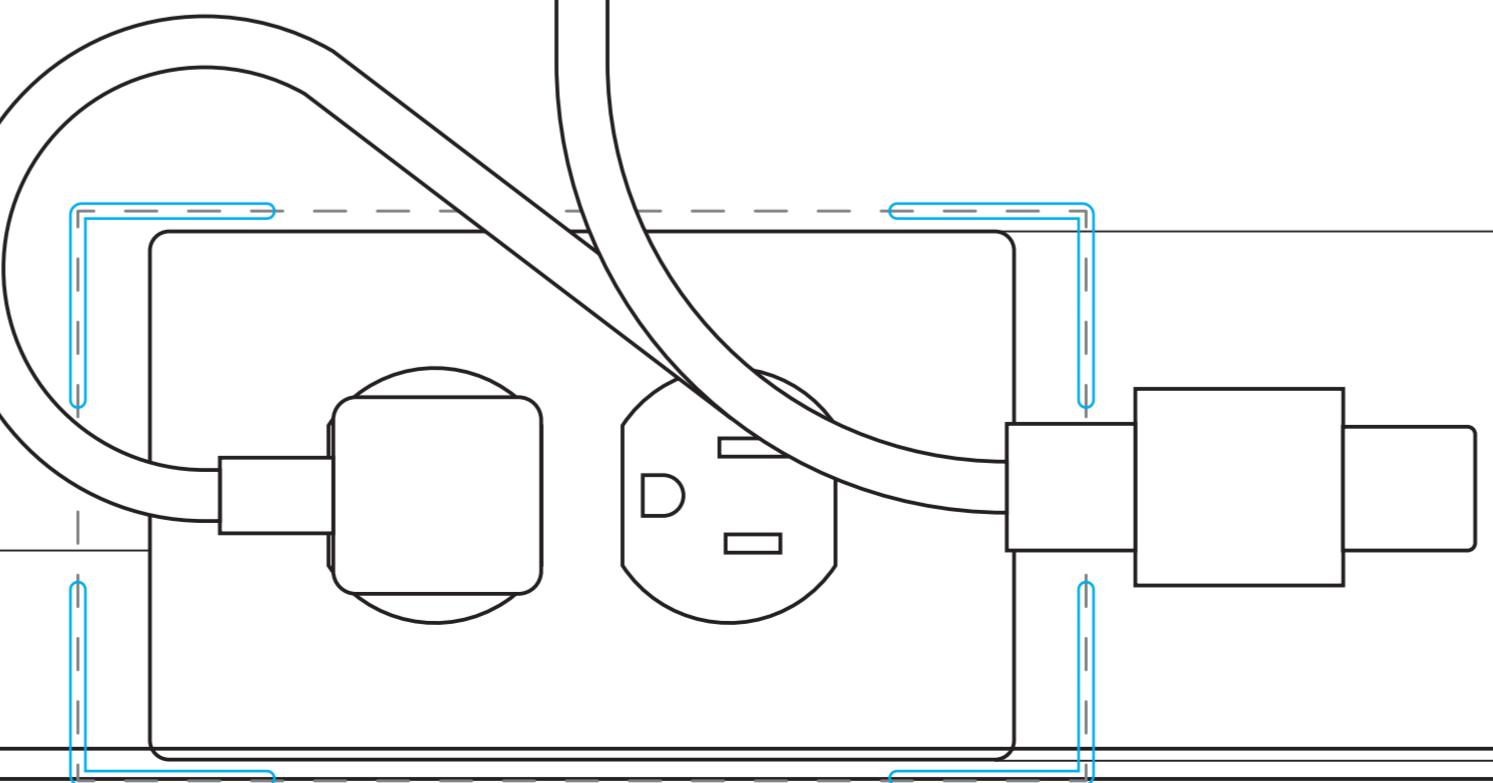
center



### Vertical Recessed Wall Outlet

In order to conceal the cord with the included mount, we recommend installing a recessed outlet behind your Vestaboard. If you want to use a standard outlet to conceal the cord, use the horizontal option below. Third party VESA compatible mounts may enable different options.

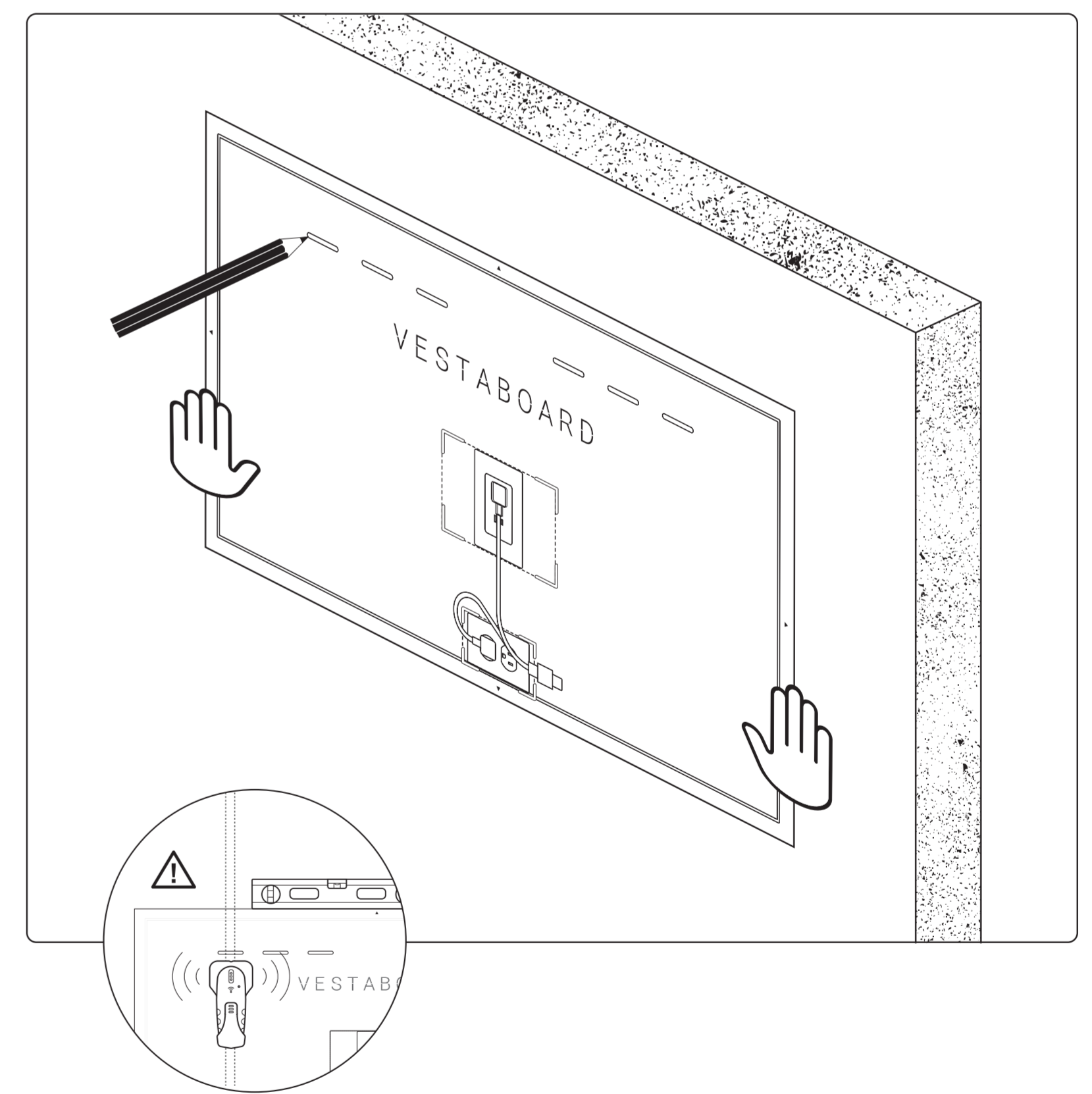
410 mm  
16 1/2"



### Horizontal Standard Wall Outlet

It is also possible to conceal power by placing a standard wall outlet horizontally at the bottom of your Vestaboard.

70 mm  
2 3/4"



For more detailed information on installation, support and warranty, please scan the QR code and follow the instructions included in the wall mount box.



[vestaboard.com/support](https://vestaboard.com/support)

center