

rev.
247

WORKSPACE
REINVENTED

REV247

Conference Table

This REV247 Conference Table is the solution that makes meeting tables both flexible and accessible. This table is designed for seated meetings for up to six people. A durable steel base, center opening for cable management, and ADA-accessibility criteria allows this table to work in any space.

STANDARD FEATURES:

- Load Capacity: 300 lbs
- 72"W x 42"D x 30.5"H
- Durable steel base with charcoal finish
- Optional locking casters
- Grommet hole for cable management
- (4) Leveling feet
- Assembles quickly and easily

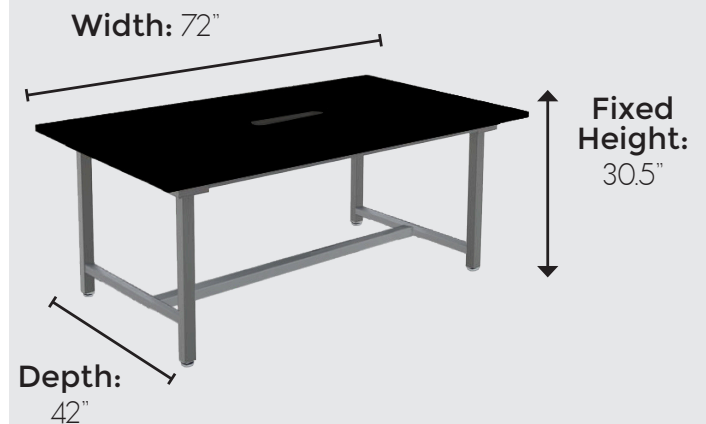


Load Capacity: 300 lbs.

CONFERENCE Table



rev5000



CONFERENCE Table

Name: _____

Email: _____

Organization: _____

Sales Rep: _____

Phone: _____

Quote: _____

STANDARD TABLE SIZE:

- REV5000**
72"W x 42"D x 30.5"H
Qty _____

OPTION:

- RE525** - (4) Locking Casters (Adds 2.25" to height)

TOP COLORS:

- | | | | | | | | |
|--------------------------|---|--------------------------|---|--------------------------|---|--------------------------|---|
| <input type="checkbox"/> |  | <input type="checkbox"/> |  | <input type="checkbox"/> |  | <input type="checkbox"/> |  |
| | Brushed
Concrete | | Weathered
Grey | | Mineral Grey | | Briarsmoke |
| <input type="checkbox"/> |  | <input type="checkbox"/> |  | <input type="checkbox"/> |  | <input type="checkbox"/> |  |
| | Cocoa Bean | | Nightshade | | Sandlewood | | White Wood
Grain |

**Other top materials available upon request.*