

# RUBY'S LITTLE PANTRIES

## TABLE OF CONTENTS

C	COVER SHEET
F1	FOUNDATION & FLOOR PLAN
E1	SINGLE PANTRY SECTION PLAN
E2	SINGLE PANTRY ELEVATIONS
F2	LITTLE PANTRY 2 FOUNDATION
E1.1	LITTLE PANTRY 2 SECTION PLAN
E2.2	LITTLE PANTRY 2 ELEVATIONS

CLARK CONSTRUCTION  
OF RIDGEFIELD, INC.

51 ETHAN ALLEN HIGHWAY  
RIDGEFIELD, CT



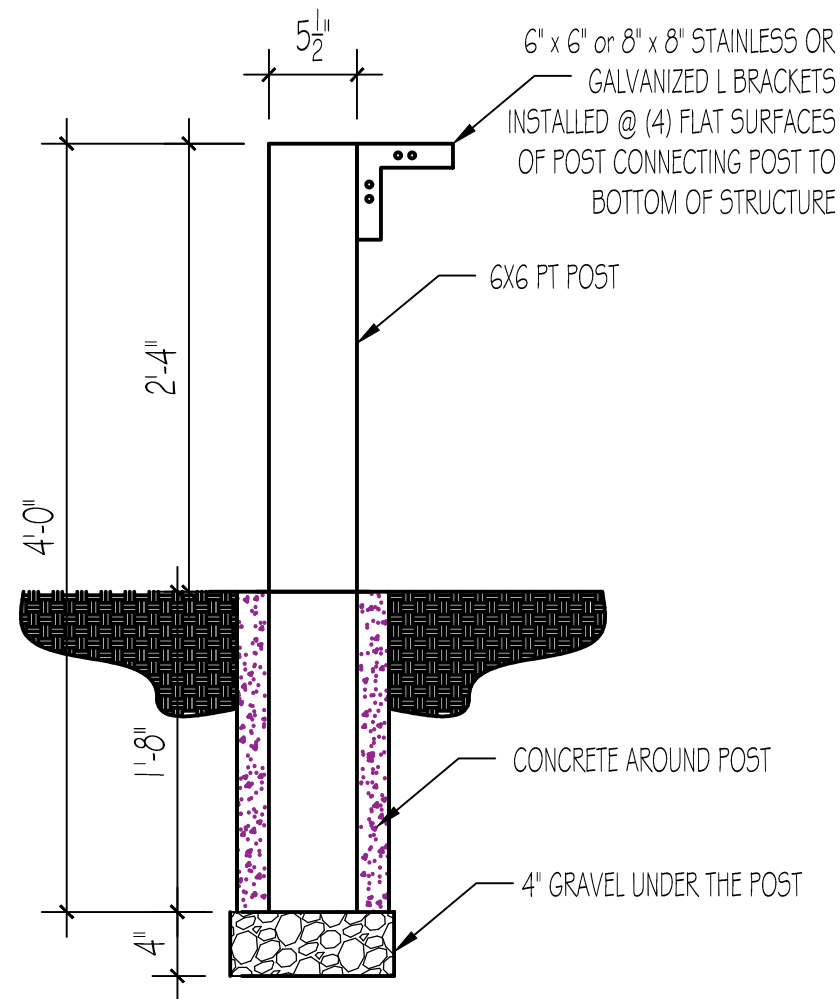
## RUBYS LITTLE PANTRIES

### REVISIONS

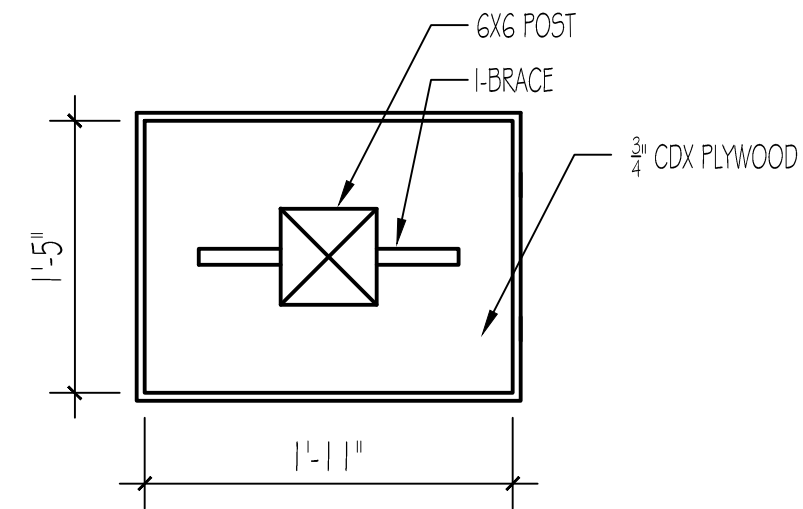
DATE	BY	DESCRIPTION
4.6.21	-	-CONSTRUCTION
...	..	-SET
...	..	-SET
...	..	-SET
...	..	-SET
...	..	-SET
...	..	-SET
...	..	-SET
...	..	-SET
...	..	-SET
...	..	-SET

COVER

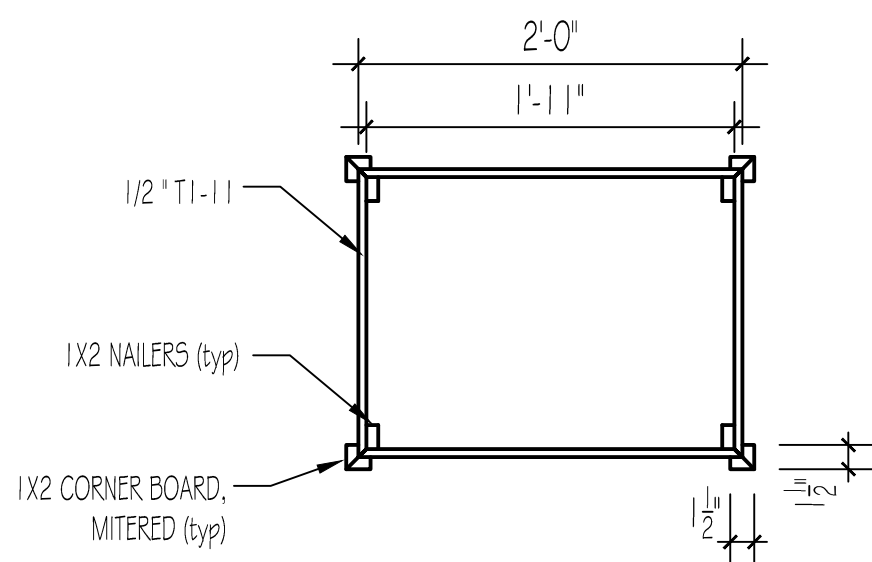
C



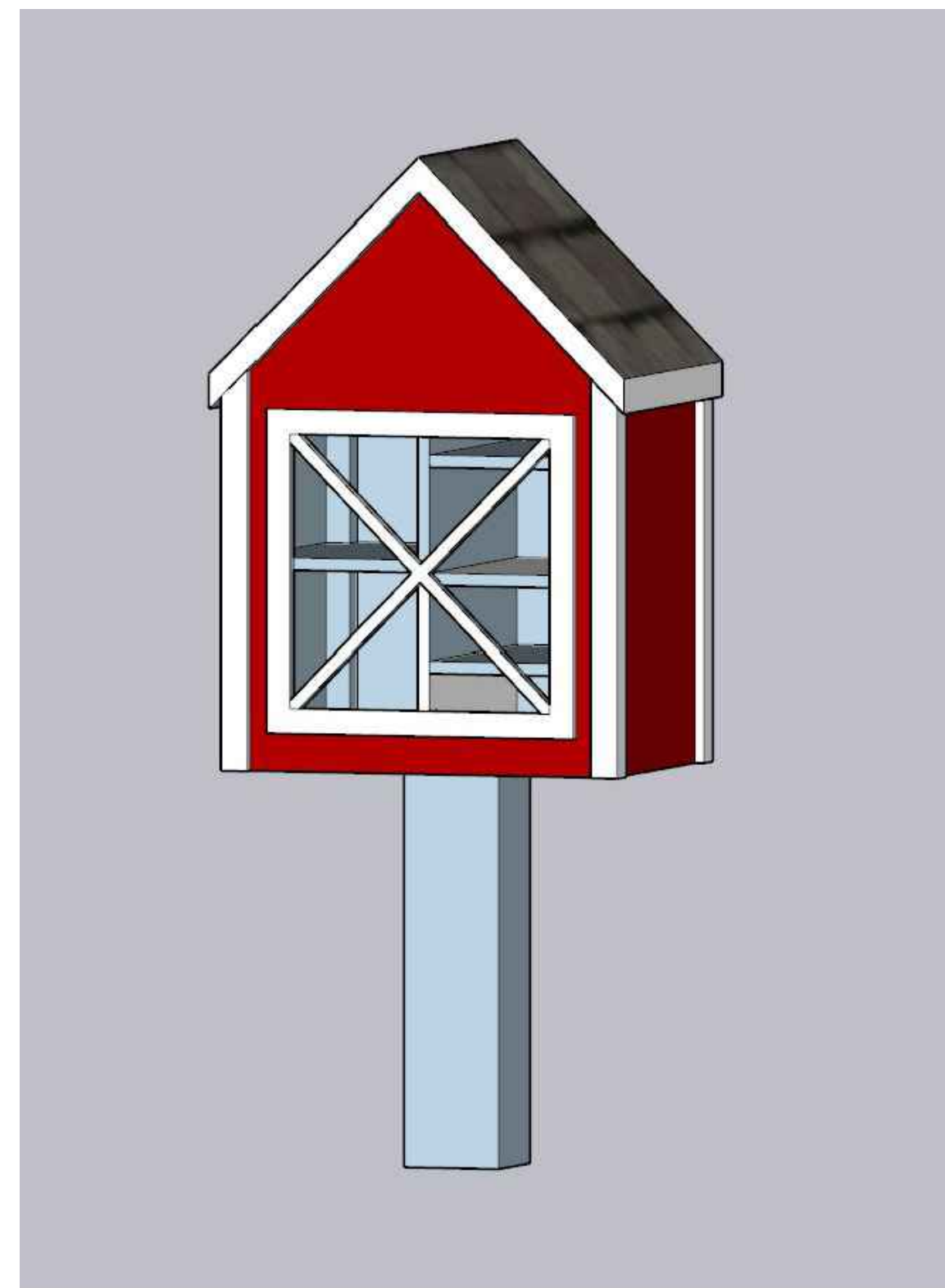
FOUNDATION PLAN  
 F1 SCALE: 1" = 1'-0"



FOUNDATION PLAN  
 F1 SCALE: 1" = 1'-0"



FOUNDATION PLAN  
 F1 SCALE: 1" = 1'-0"

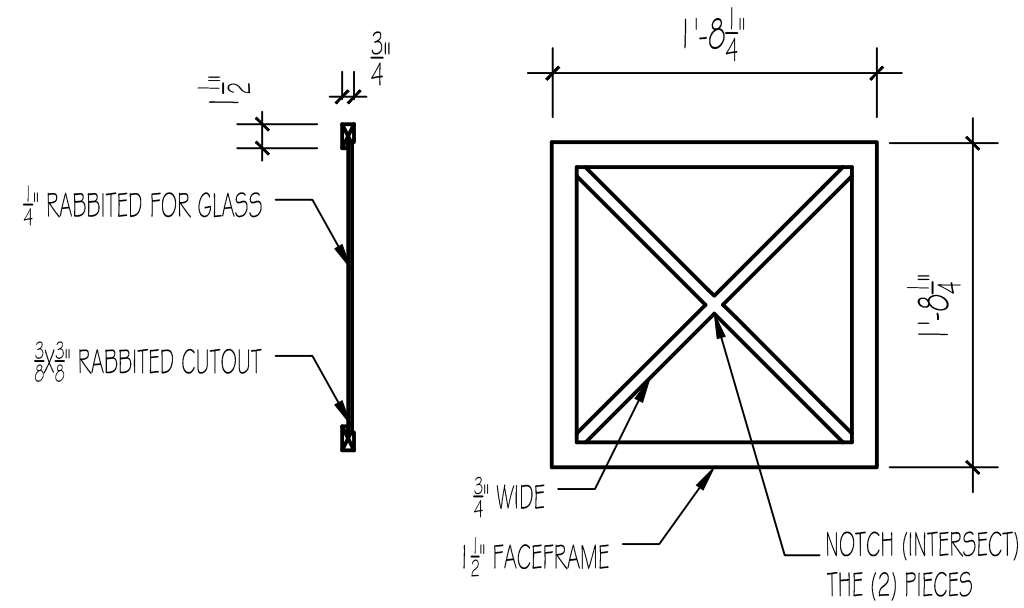
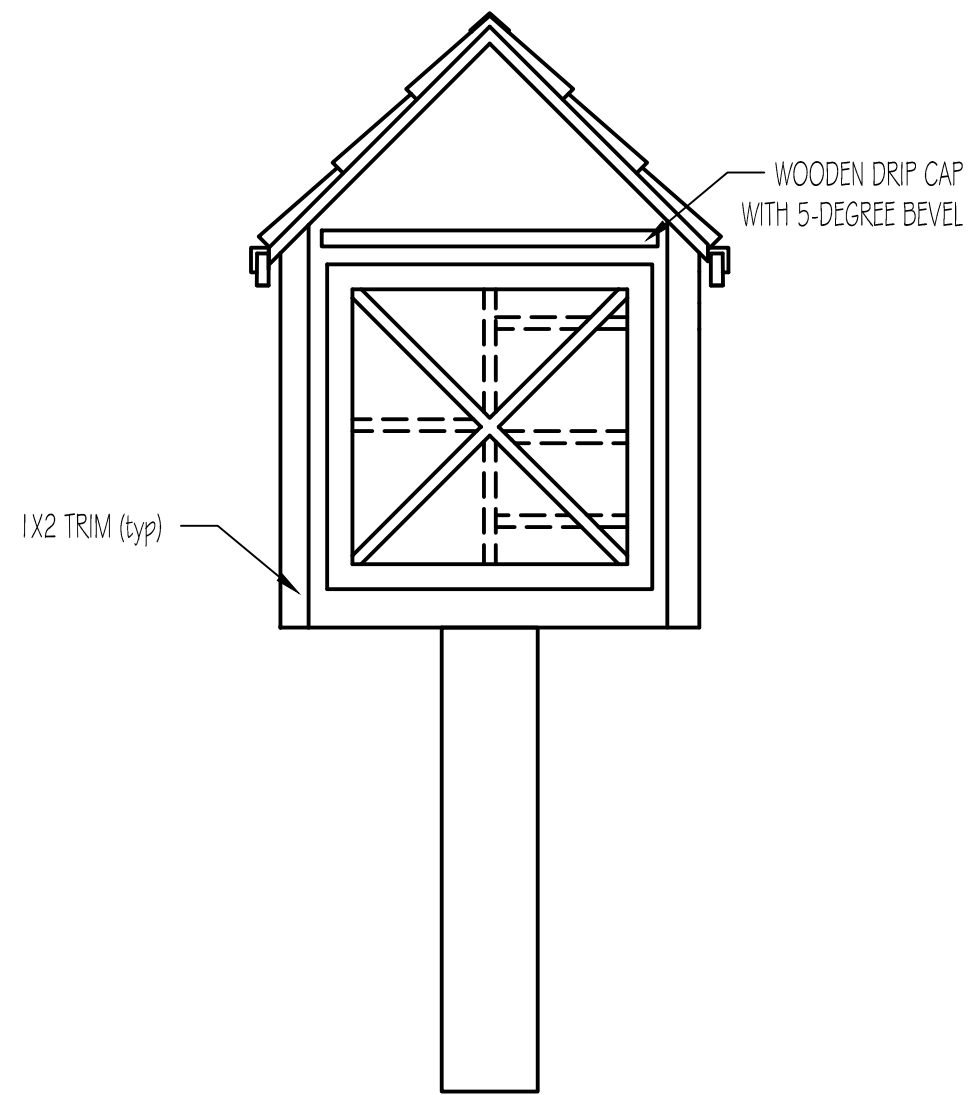


RUBY'S LITTLE PANTRIES

REVISIONS		
DATE	BY	DESCRIPTION
4.6.21	-	-CONSTRUCTION
...	..	-SET
...	..	-SET
...	..	-SET
...	..	-SET
...	..	-SET
...	..	-SET
...	..	-SET
...	..	-SET

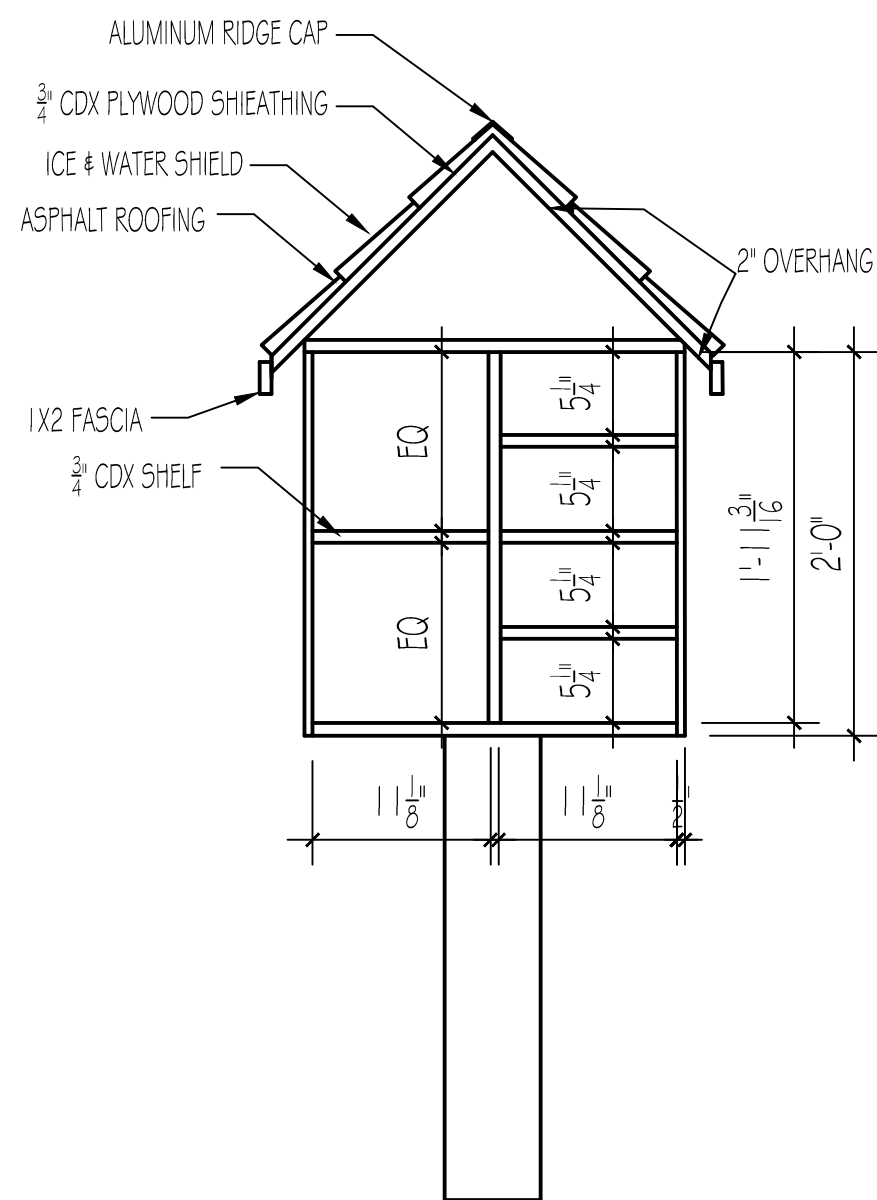
FOUNDATION & FLOOR PLAN

F1

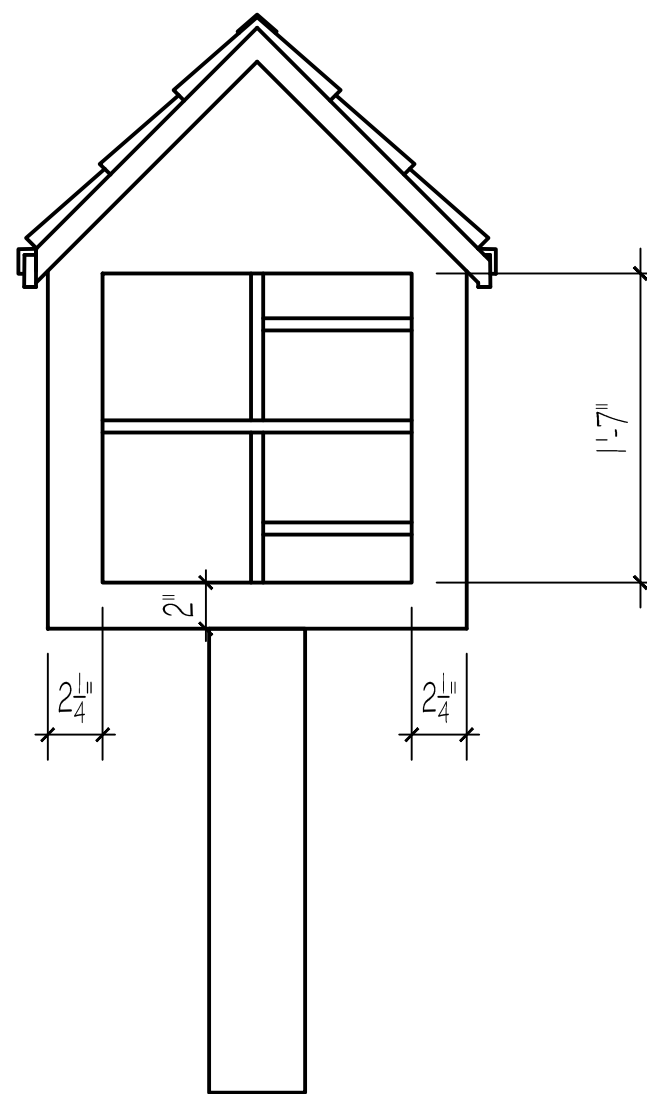


1 FRONT ELEVATION  
E1 SCALE: 1" = 1'-0"

2 DOOR DETAIL  
E1 SCALE: 1" = 1'-0"



3 FRONT SECTION  
E1 SCALE: 1" = 1'-0"



4 FRONT WITHOUT DOOR ELEVATION  
E1 SCALE: 1" = 1'-0"

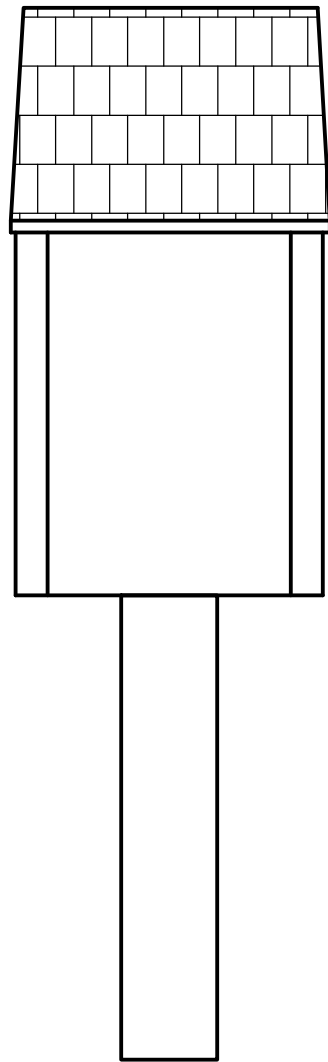
CLARK CONSTRUCTION  
OF RIDGEFIELD, INC.  
51 ETHAN ALLEN HIGHWAY  
RIDGEFIELD, CT

RUBY'S LITTLE PANTRIES

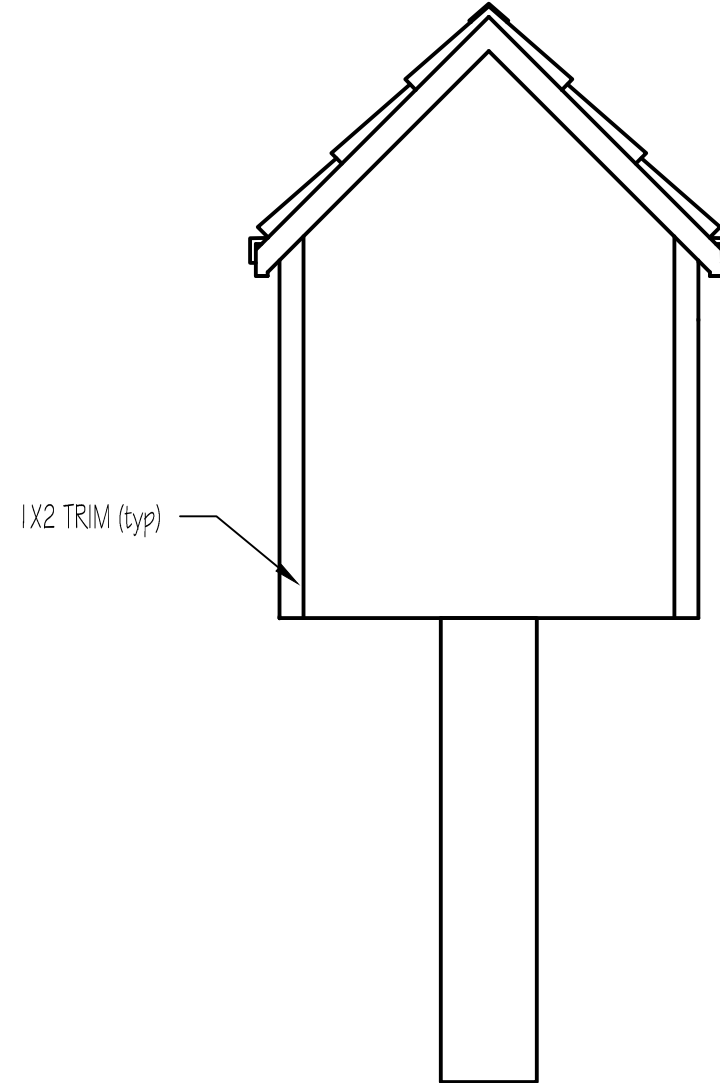
REVISIONS		
DATE	BY	DESCRIPTION
4.6.21	-	-CONSTRUCTION
...	-	-SET
...	-	-SET
...	-	-SET
...	-	-SET
...	-	-SET
...	-	-SET
...	-	-SET
...	-	-SET

SINGL PANTRY  
SECTION PLAN

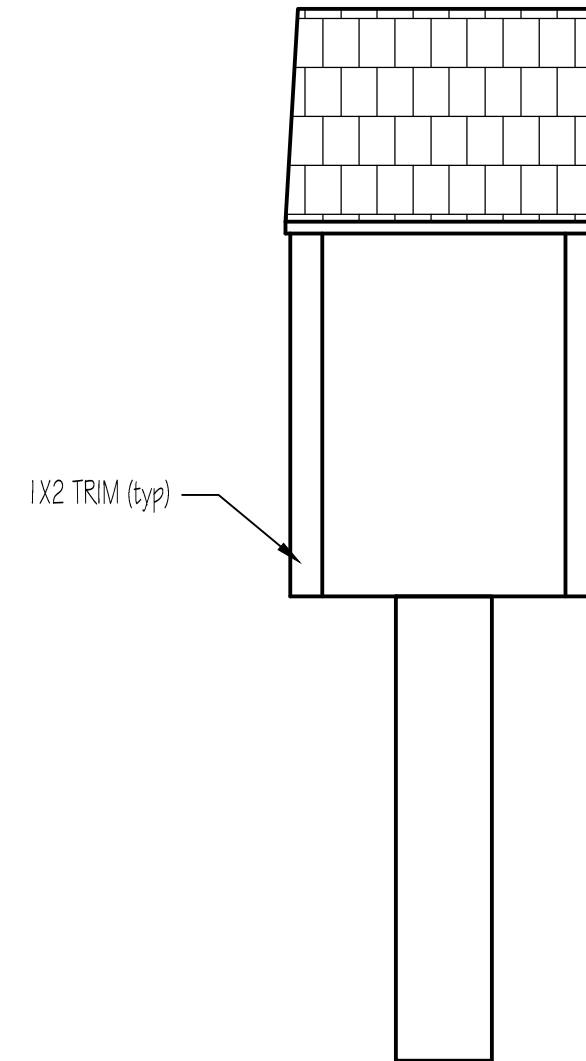
E1



1 RIGHT ELEVATION  
E2 SCALE: 1" = 1'-0"



2 BACK ELEVATION  
E2 SCALE: 1" = 1'-0"



3 LEFT ELEVATION  
E2 SCALE: 1" = 1'-0"

CLARK CONSTRUCTION  
OF RIDGEFIELD, INC.

51 ETHAN ALLEN HIGHWAY  
RIDGEFIELD, CT



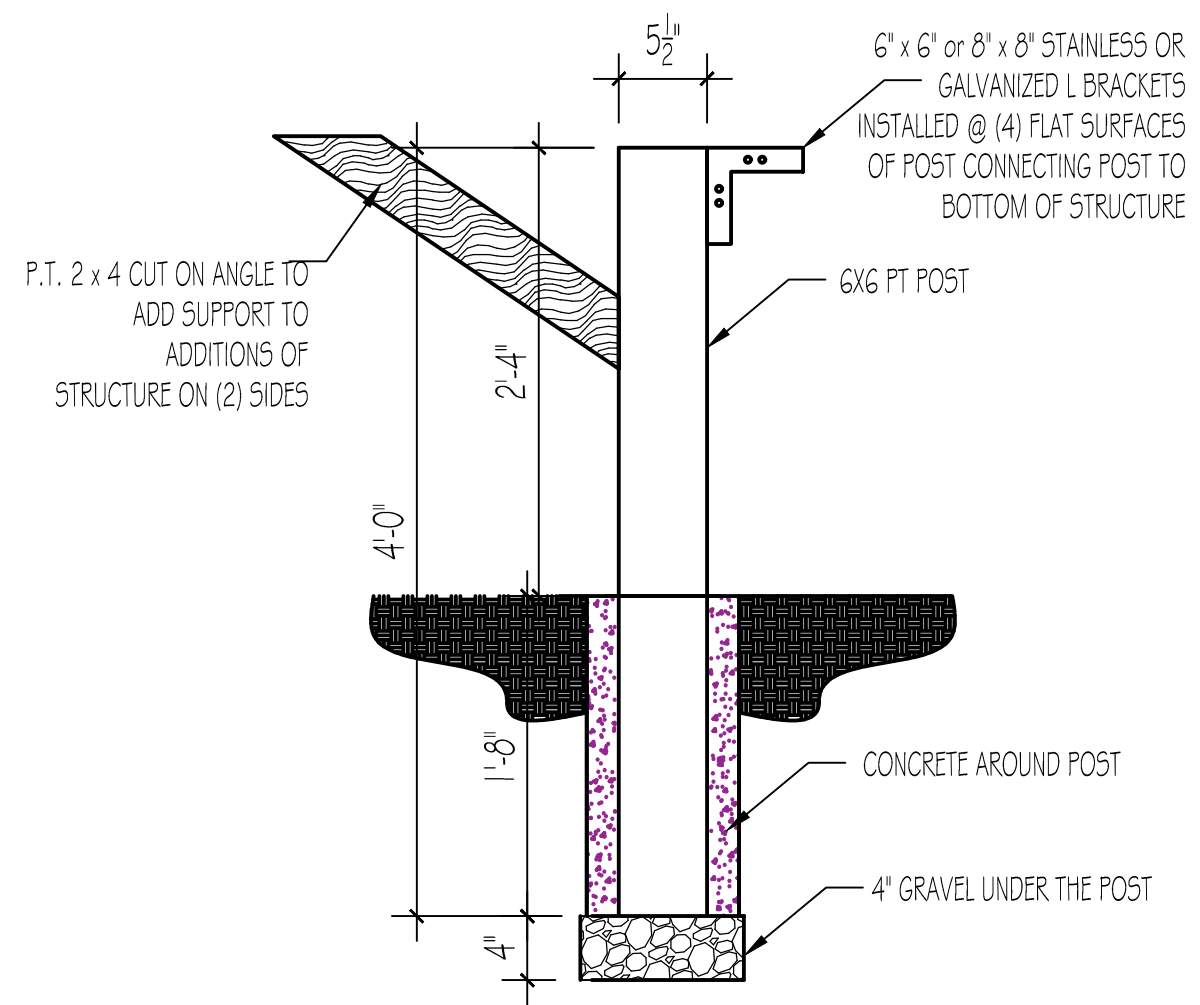
RUBYS LITTLE PANTRIES

REVISIONS

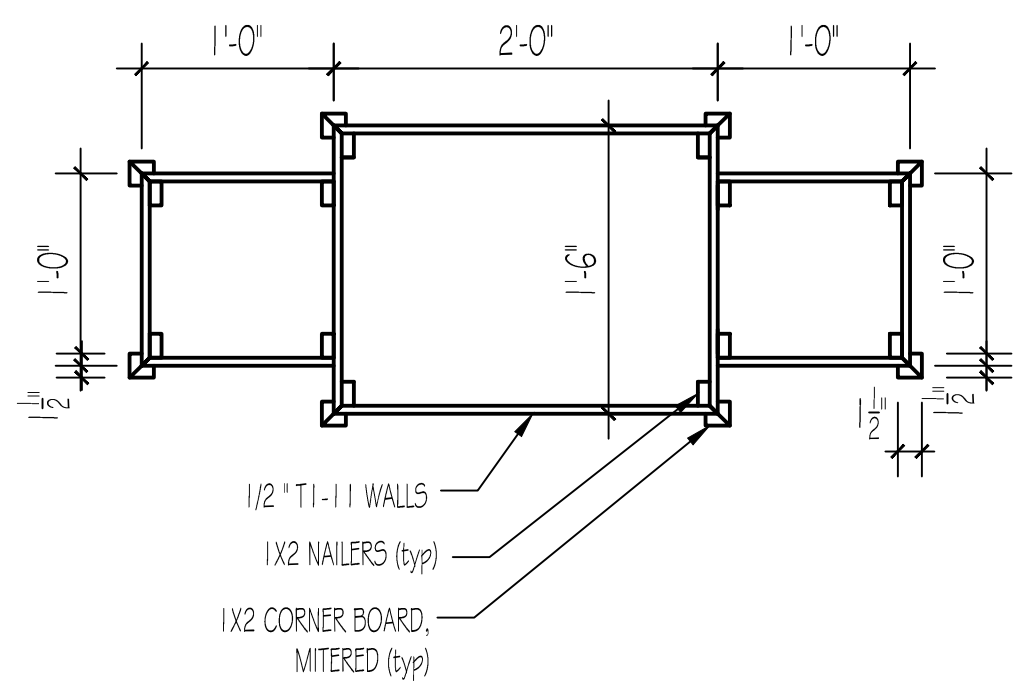
DATE	BY	DESCRIPTION
4.6.21	-	-CONSTRUCTION
...	-	-SET
...	-	-SET
...	-	-SET
...	-	-SET
...	-	-SET
...	-	-SET
...	-	-SET
...	-	-SET
...	-	-SET

SINGLE PANTRY  
ELEVATIONS

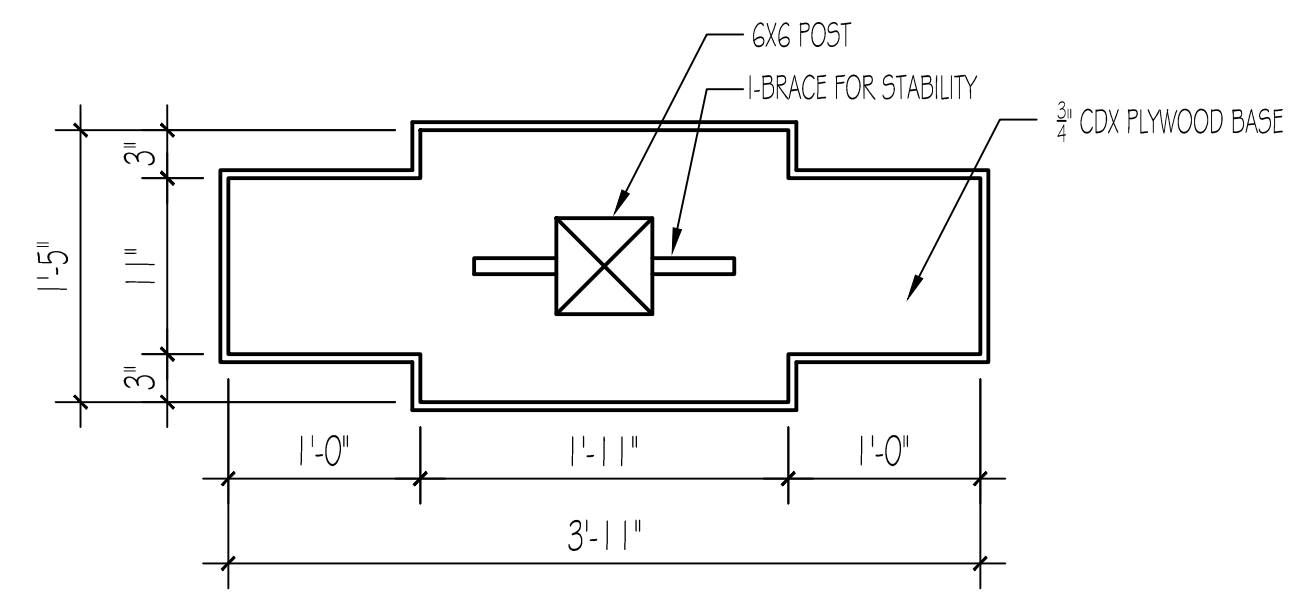
E2



FOUNDATION PLAN  
 F1 SCALE: 1" = 1'-0"



FOUNDATION PLAN  
 F1 SCALE: 1" = 1'-0"



FOUNDATION PLAN  
 F1 SCALE: 1" = 1'-0"



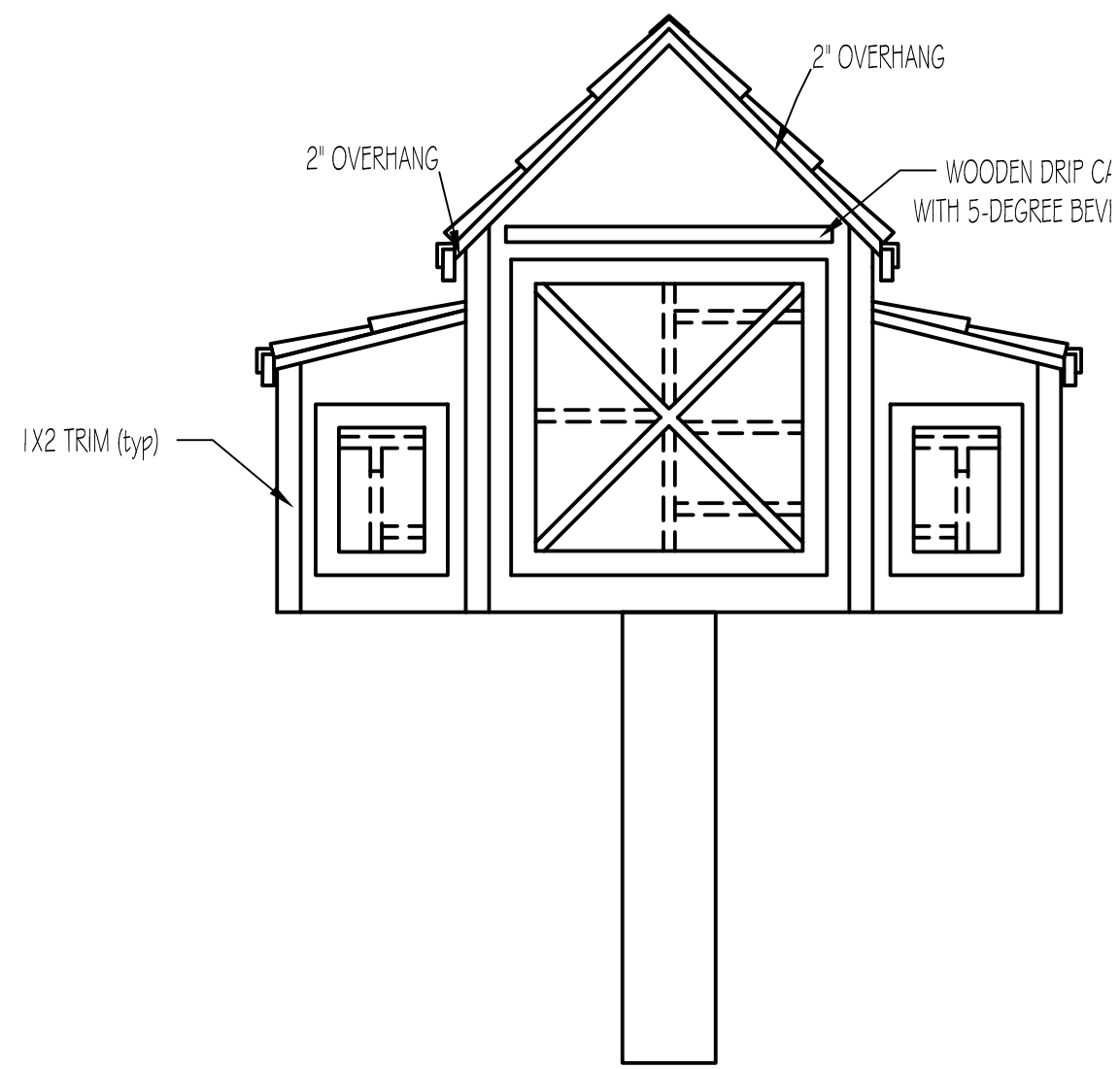
CLARK CONSTRUCTION  
 OF RIDGEFIELD, INC.  
 51 ETHAN ALLEN HIGHWAY  
 RIDGEFIELD, CT

RUBY'S LITTLE PANTRIES

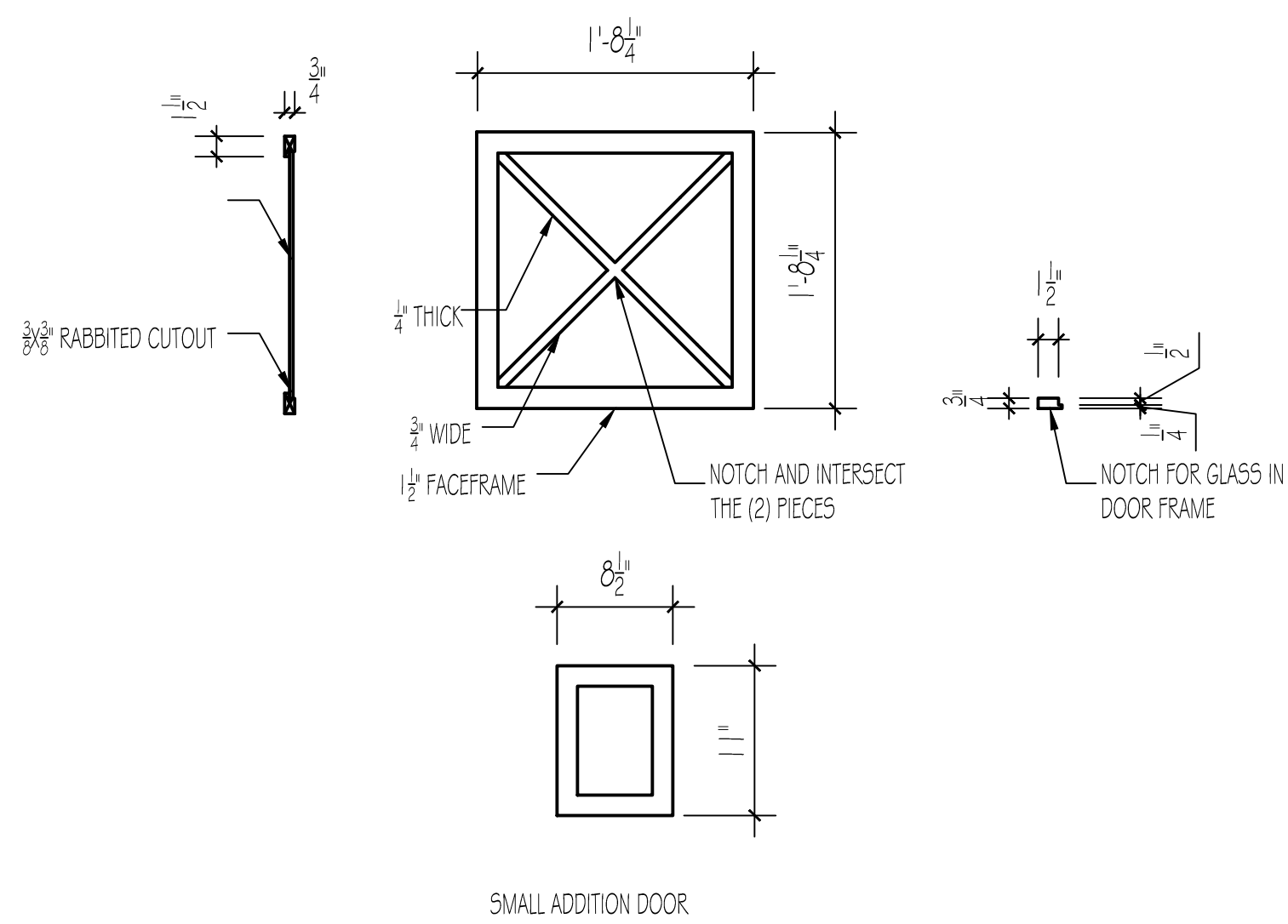
REVISIONS		
DATE	BY	DESCRIPTION
4.6.21	-	-CONSTRUCTION
...	...	...-SET
...	...	...-SET
...	...	...-SET
...	...	...-SET
...	...	...-SET
...	...	...-SET
...	...	...-SET
...	...	...-SET

LITTLE PANTRY 2  
 FOUNDATION

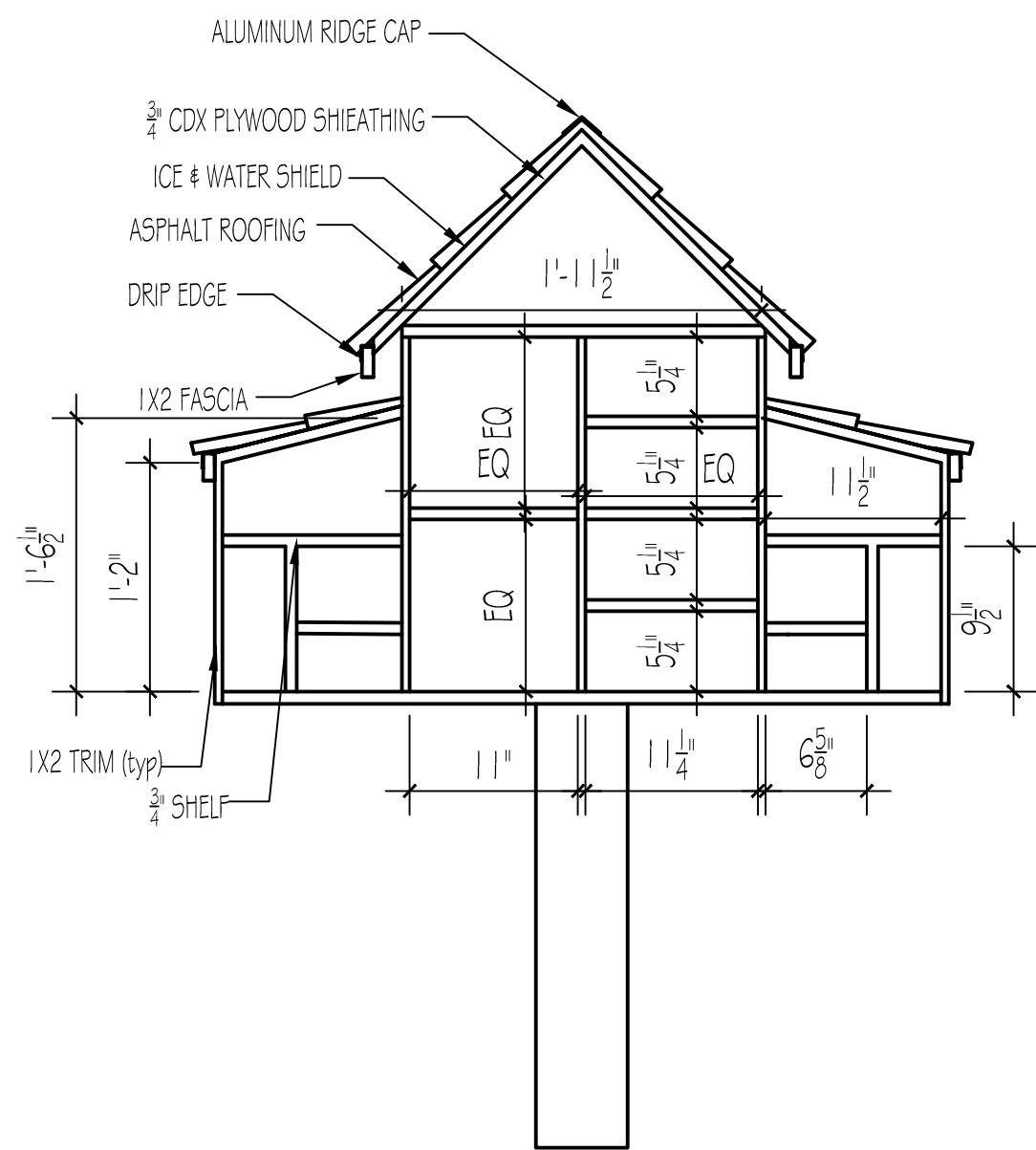
F2



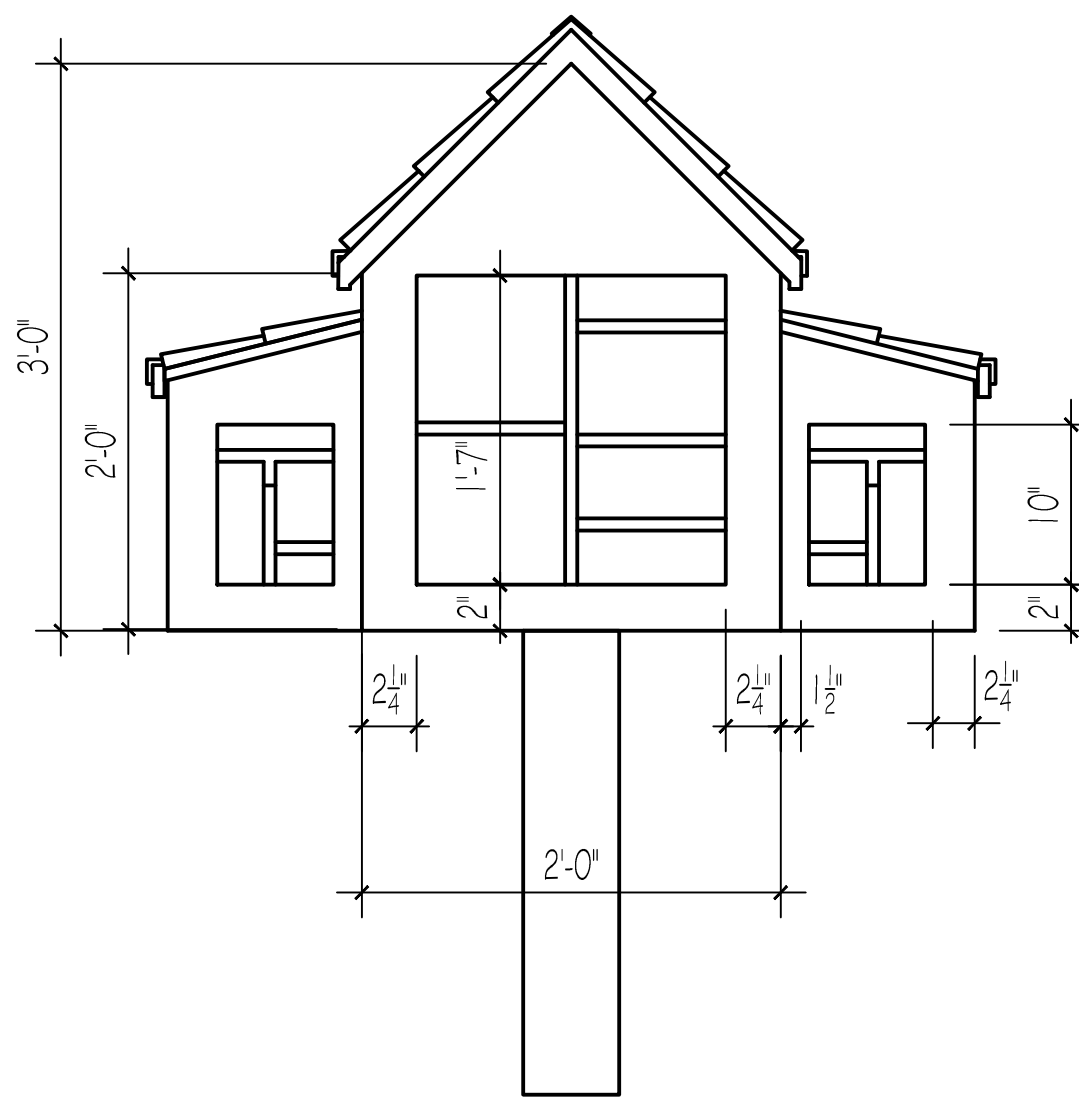
1 FRONT ELEVATION  
E.I.1 SCALE: 1" = 1'-0"



2 DOOR DETAIL  
E.I.1 SCALE: 1" = 1'-0"



3 FRONT SECTION PLAN  
E.I.1 SCALE: 1" = 1'-0"



4 FRONT WITHOUT DOOR ELEVATION  
E.I.1 SCALE: 1" = 1'-0"

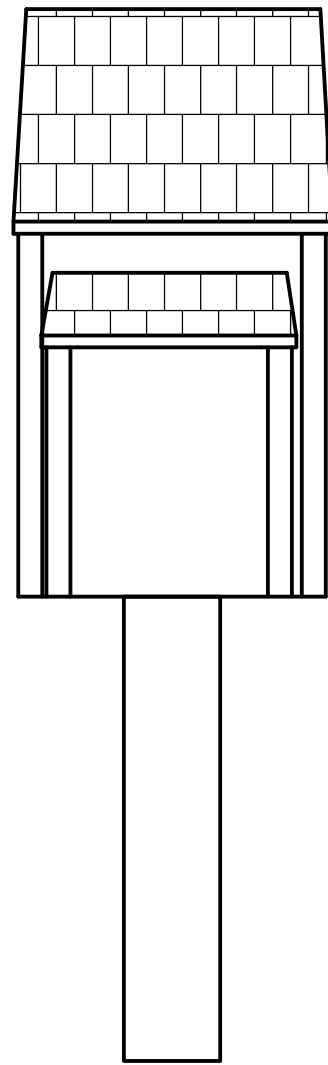
CLARK CONSTRUCTION  
OF RIDGEFIELD, INC.  
51 ETHAN ALLEN HIGHWAY  
RIDGEFIELD, CT

RUBY'S LITTLE PANTRIES

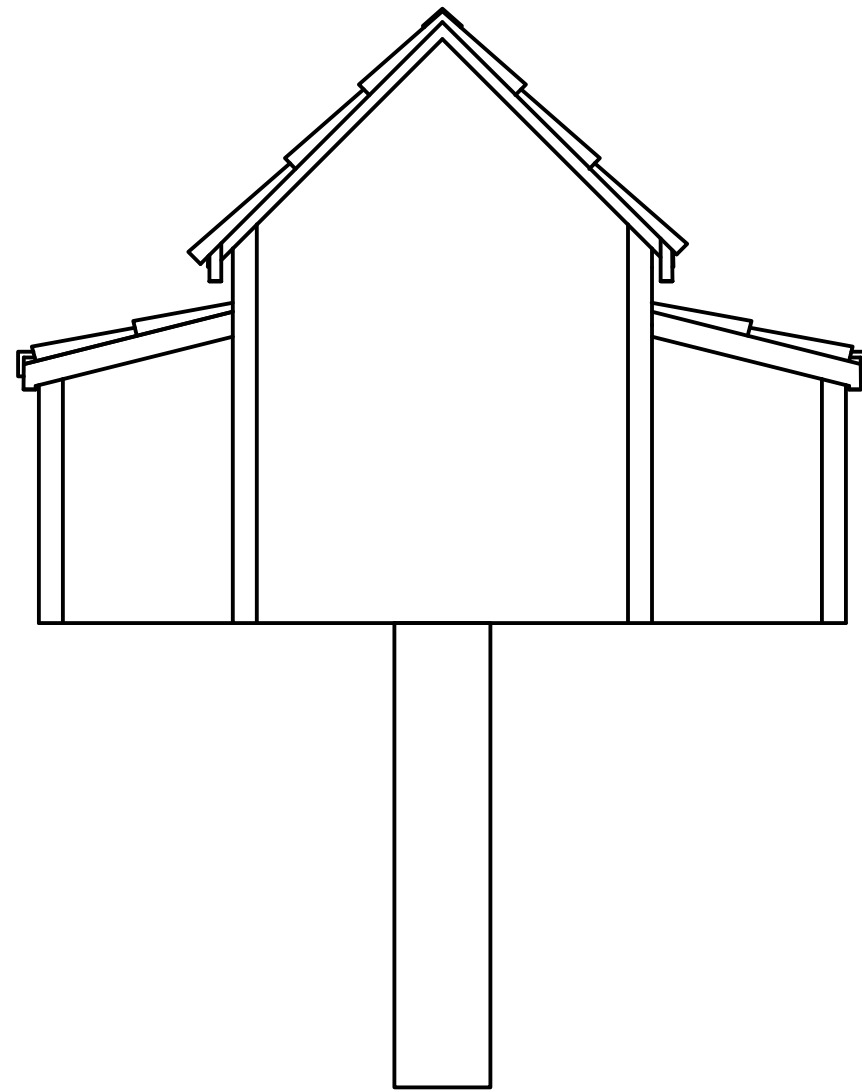
REVISIONS		
DATE	BY	DESCRIPTION
4.6.21	-	-CONSTRUCTION
...	-	-SET
...	-	-SET
...	-	-SET
...	-	-SET
...	-	-SET
...	-	-SET
...	-	-SET
...	-	-SET

LITTLE PANTRY 2  
SECTION PLAN

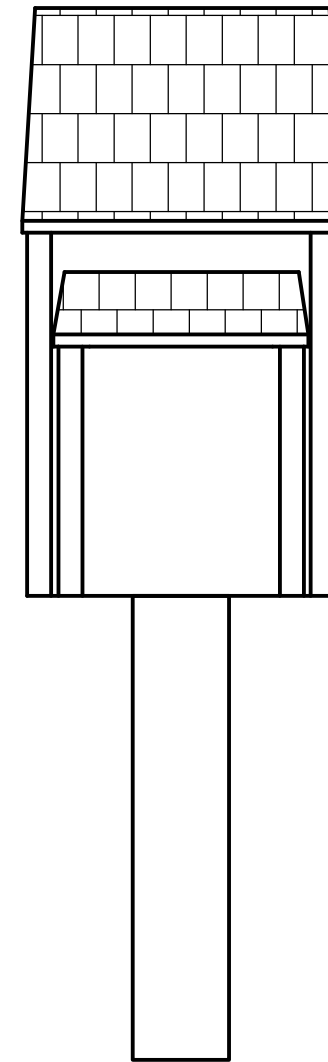
E.I.1



1 RIGHT ELEVATION  
E2 SCALE: 1" = 1'-0"



2 BACK ELEVATION  
E2 SCALE: 1" = 1'-0"



3 LEFT ELEVATION  
E2 SCALE: 1" = 1'-0"

CLARK CONSTRUCTION  
OF RIDGEFIELD, INC.

51 ETHAN ALLEN HIGHWAY  
RIDGEFIELD, CT



RUBYS LITTLE PANTRIES

REVISIONS

DATE	BY	DESCRIPTION
4.6.21	-	-CONSTRUCTION
---	-	-SET
---	-	-SET
---	-	-SET
---	-	-SET
---	-	-SET
---	-	-SET
---	-	-SET
---	-	-SET
---	-	-SET

LITTLE PANTRY 2  
ELEVATIONS

E2.2