

PUMPER BODY
Medium Aluminum 2nd Gen Pumper

CHASSIS
Enforcer Chassis

CHASSIS AXLE, FRONT, CUSTOM
19,500 Lb TAK-4 Axle

AXLE, REAR
24,000 Lb Dana Axle

ENGINE
450 HP Cummins L9 Engine

TRANSMISSION
Allison 5th Gen, 3000 EVS P

BUMPER
19" Extended Painted Steel

CAB
7010 Enforcer Cab

BODY WATER TANK
750 Gallon New York Style Water Tank

COMPT, PUMPER, REAR
37.75" FF RollUp Rear Compt

COMPT, PUMPER, DRIVER SIDE
152" RollUp Full Height Front & Rear FDLR

COMPT, PUMPER PASS. SIDE
152" RollUp Full Height Front & Rear FDLR

FIRE SUPPRESSION PUMPHOUSE
45" Control Zone Top Mount

PUMP
1500 GPM Waterous CSU

CROSSLAYS, 1.50"
(2) 1.50" Standard Capacity

CROSSLAYS, 2.50"
2.50" Crosslay Not Required

SPEEDLAYS
Speedlays Not Required

GENERATOR
Generator Not Required

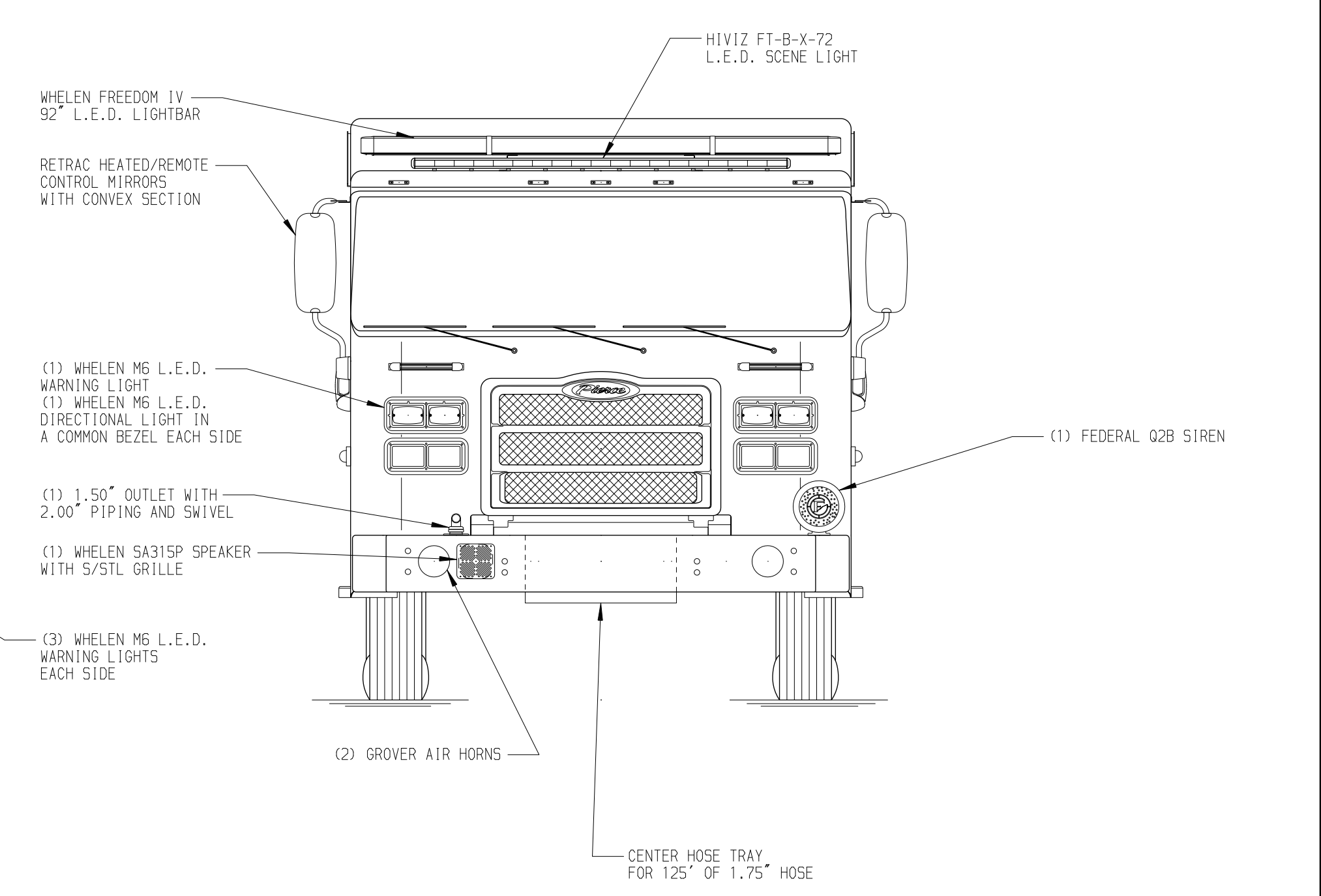
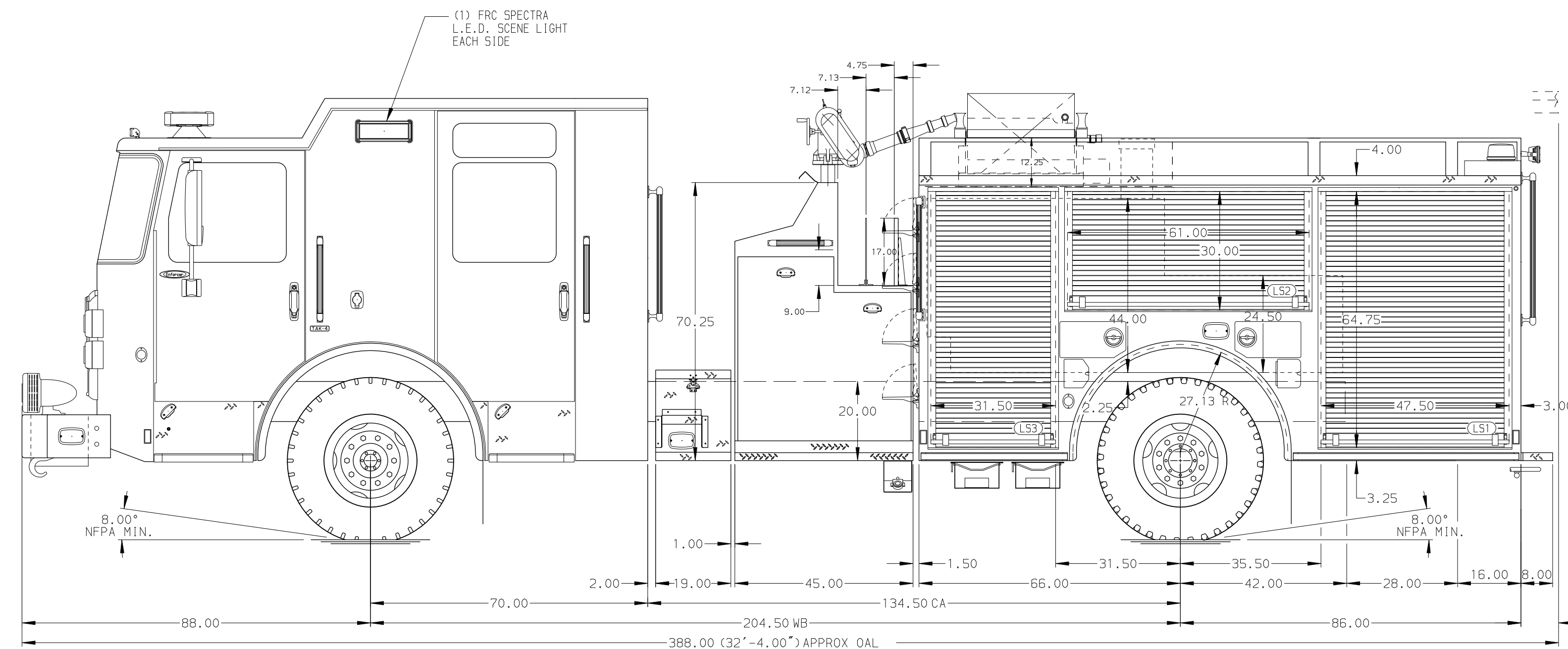
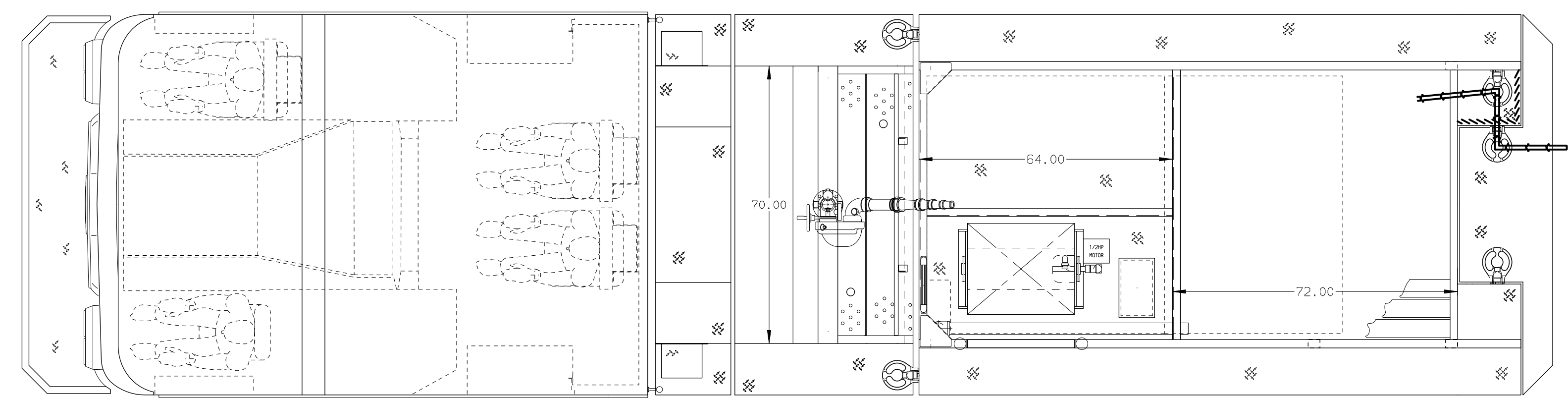
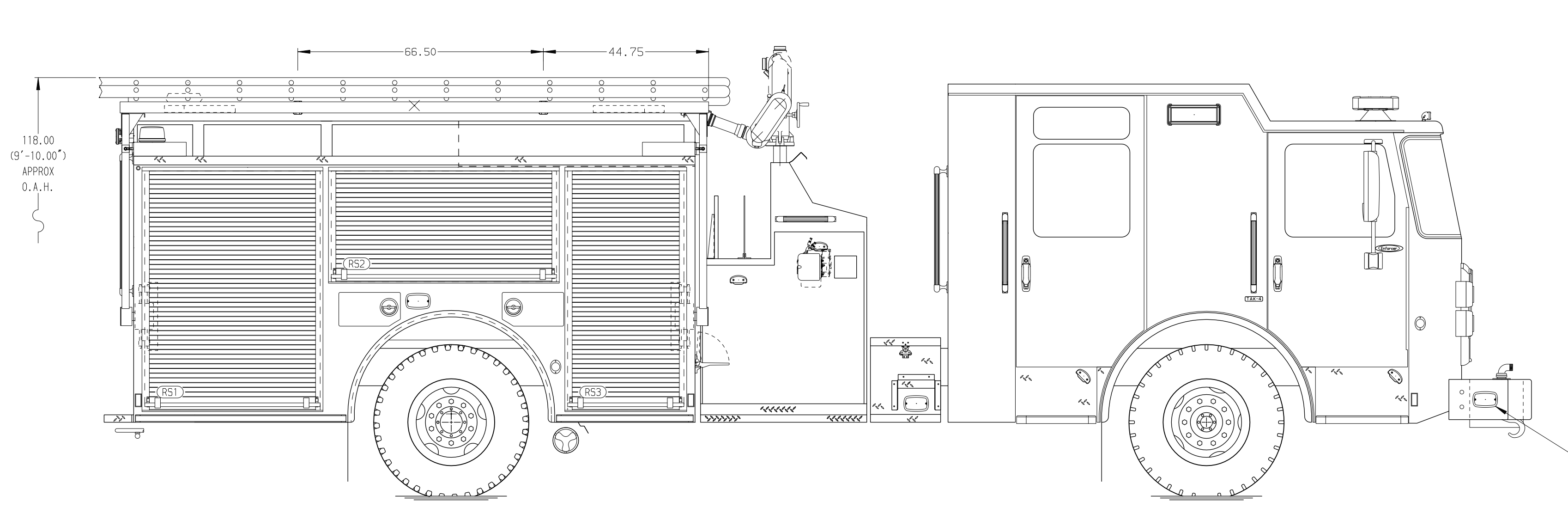
Foam System
Foam System Not Required

Foam Cell
Foam Cell Not Required

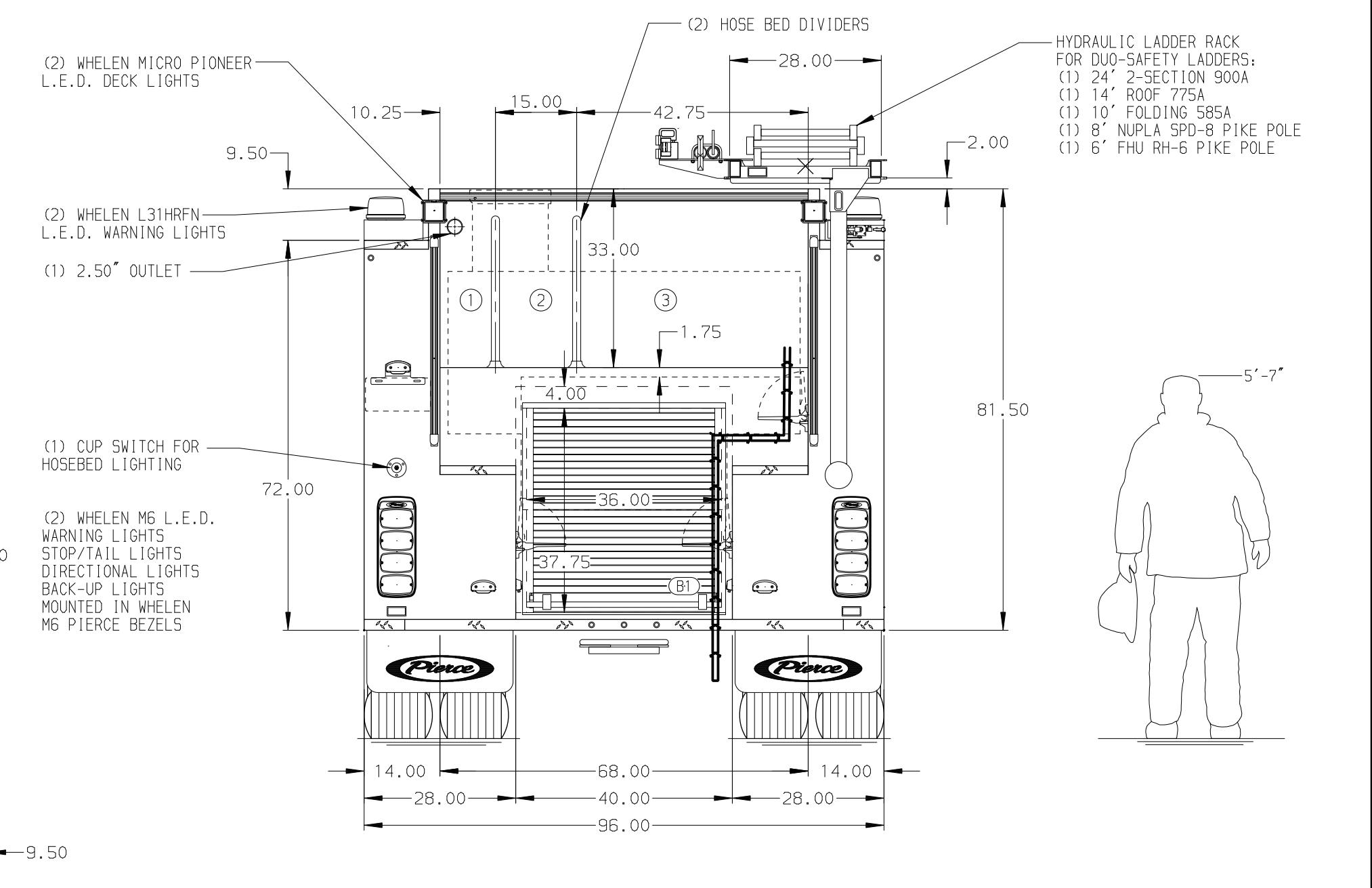
Side Roll and Frontal Impact Protection

NOTE
DIMENSIONS SHOWN ARE APPROXIMATE AND ARE SUBJECT TO MINOR DEVIATIONS AS MAY OCCUR OR BE NECESSARY IN CONSTRUCTION. MINOR DETAILS NOT SHOWN.

- SHORELINE RECEPTACLE WITH KUSSMAUL SUPER AUTO-EJECT LOCATED ON DRIVER SIDE OF THE CAB
- AIR INLET WITH DISCONNECT COUPLING IN THE DRIVER SIDE STEPMILL
- BATTERY CHARGER LOCATED IN COMPARTMENT PER SHOP ORDER
- BATTERY CHARGE INDICATOR LOCATED ON THE DRIVER SIDE SEAT RISER
- FOUR ADJUSTABLE SHELVES LOCATED PER SHOP ORDER
- ONE FLOOR MOUNTED SLIDE-OUT TRAY IN COMPARTMENT PER SHOP ORDER
- ONE SWING-OUT TOOLBOARD LOCATED PER SHOP ORDER
- ALUMINUM PEGBOARD LOCATED PER SHOP ORDER
- HANNAY BOOSTER REEL MODEL SBEP34-23-24 WITH CAPACITY FOR 200' OF 1.00" BOOSTER HOSE LOCATED ABOVE WATER TANK
- PARTITION BETWEEN COMPARTMENTS L51/B1 AND R51/B1
- HOSE STORAGE BRACKET LOCATED PER SHOP ORDER



HOSEBED CAPACITY	
BED 1	200' OF 2.50" HOSE
BED 2	500' OF 2.50" HOSE
BED 3	1000' OF 5.00" HOSE



Pierce MANUFACTURING INC.		JOB NO.	35038
		SCALE	1:24
		DATE	
TITLE		Pierce Pumper Approval Drawing	
MAKE			
FOR		North Little Rock	
CHECKED BY		NPE	28APR20
SHEET SIZE		D	SHEET NO. 1 OF 1
DWG NO.		35038AD	

REV	DATE	BY	CH	ENFORCER
03AUG20	COL	JGO		PIERCE
15JUN20	COL	JGO		PIERCE