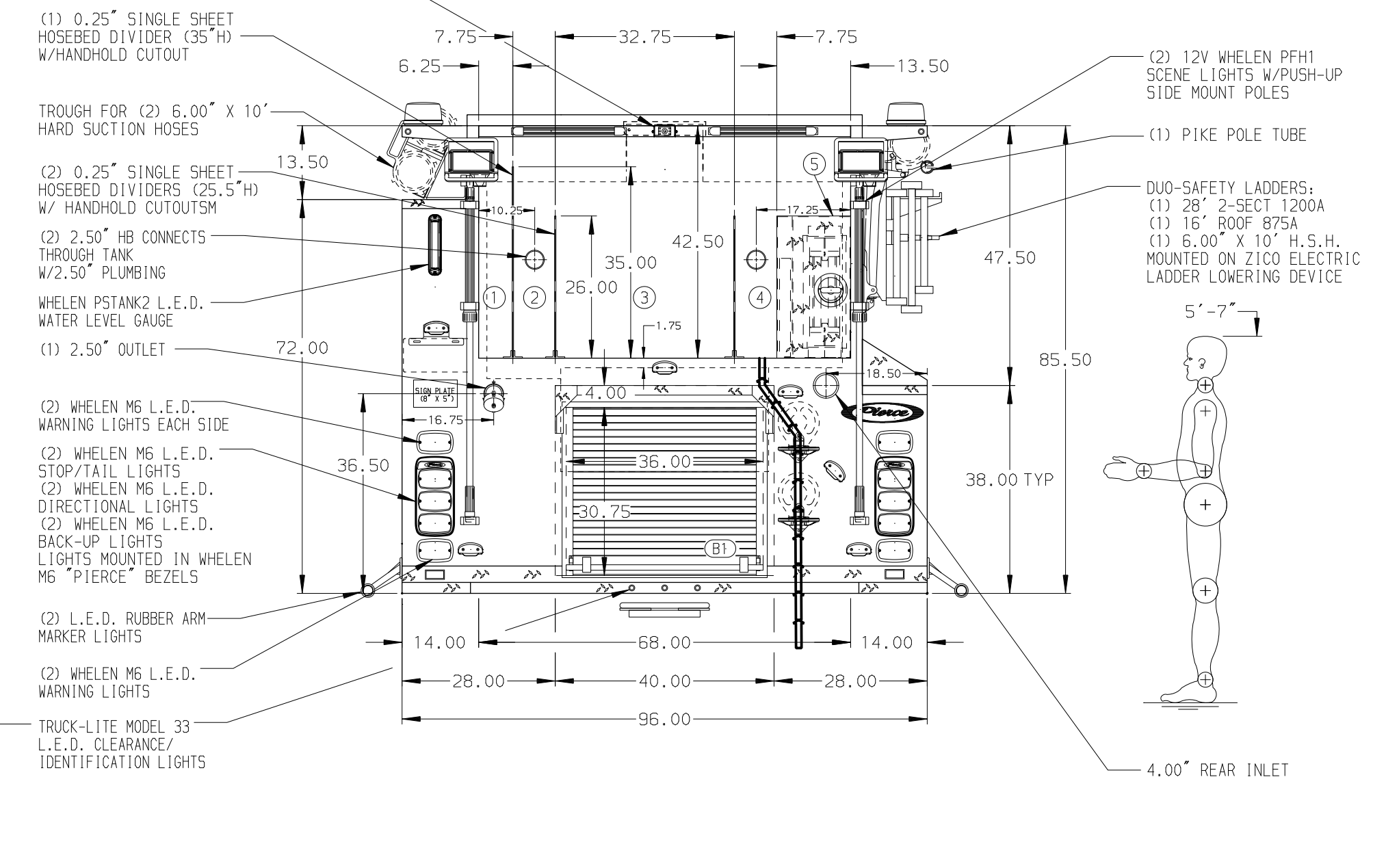
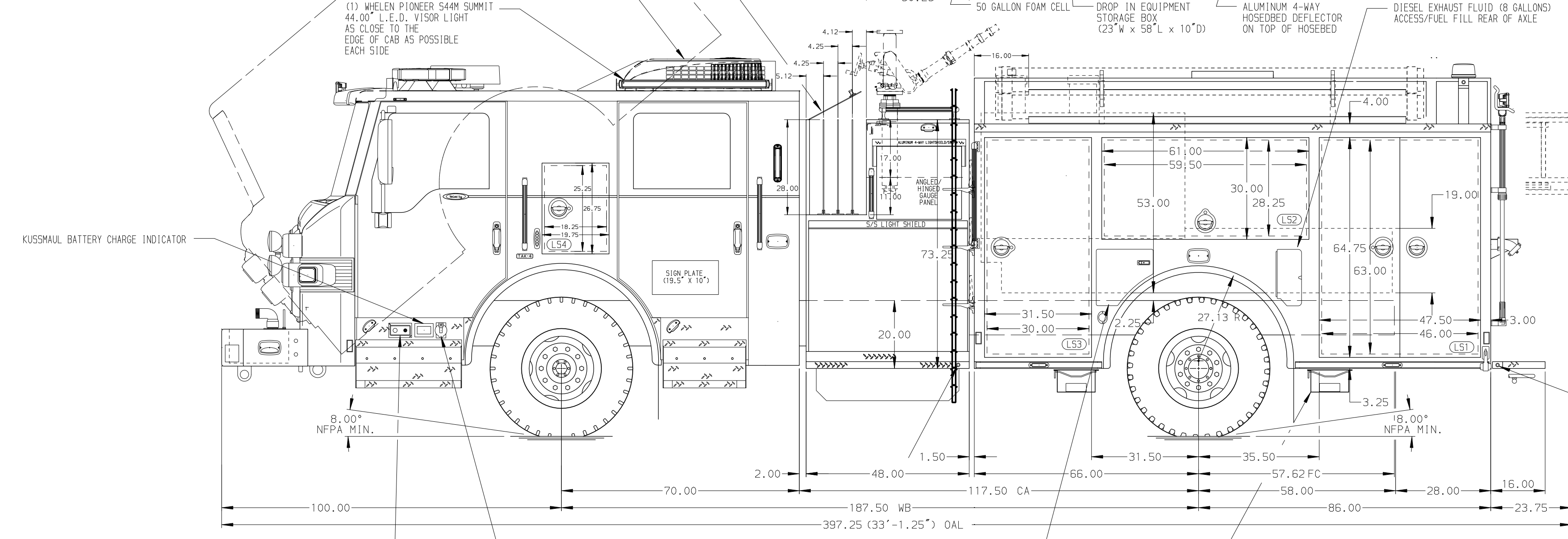


- HOSEBED CAPACITIES**
- ① - 400' OF 3.00\"/>



ALUMINUM BODY

SIDE ROLL AND FRONTAL IMPACT PROTECTION

NOTE
DIMENSIONS SHOWN ARE APPROXIMATE AND ARE SUBJECT TO MINOR DEVIATIONS AS MAY OCCUR OR BE NECESSARY IN CONSTRUCTION. MINOR DETAILS NOT SHOWN.

- 1. PUMP PANEL DRAWING REQUIRED
- 2. ONSPOT AUTOMATIC TIRE CHAINS TO BE PROVIDED AT REAR
- 3. VOGEL LUBE SYSTEM PUMP LOCATED PER SHOP ORDER
- 4. ALUMINUM TREADPLATE EXTERIOR REAR WALL OF CAB
- 5. STAINLESS STEEL SCUFFPLATE ON EACH CAB DOOR JAMB
- 6. MOUNTING BASE FOR ANTENNA LOCATED PER SHOP ORDER
- 7. BATTERY CHARGER/AIR COMPRESSOR LOCATED BEHIND DRIVER SEAT
- 8. ANDOR LUMBAR H20 L.E.D. WALKING AREA LIGHTS LOCATED IN THE CARGO AREA
- 9. STAINLESS STEEL FENDER CROWNS ON CAB AND BODY
- 10. STAINLESS STEEL SCUFFPLATE ON REAR OUTER CORNER OF BODY
- 11. PULL STRAP ON DOOR IN COMPARTMENT LS2
- 12. STAINLESS STEEL SCUFFPLATE ON BOTTOM EDGE OF ALL DOOR FRAMING OF COMPARTMENTS
- 13. SHELF TRACKS LOCATED IN COMPARTMENT LS1, LS3, RS1, RS2, B1
- 14. ONE FULL WIDTH/DEPTH PAINTED SOULB ADJUSTABLE SHELF IN COMPARTMENT LS3, TWO IN LS1
- 15. ONE FULL WIDTH/DEPTH PAINTED 250LB ADJUSTABLE TRAY IN COMPARTMENT LS3
- 16. PIERCE LOGO MIDFLAPS FRONT AND REAR
- 17. BLACK PIERCE POLYUREA COATING ON TOP FLANGE OF THE FRONT BUMPER
- 18. WHELEN COMPARTMENT LIGHTS PER ORDER
- 19. ALUMINUM PEGBOARD W/TRACK ON REAR WALL OF COMPARTMENT LS1, LS2 & LS3
- 20. ONE 120V 3-PRONG DUPLEX RECEPTACLE LOCATED IN COMPARTMENT LS1
- 21. ALL FOLDING STEPS TO BE TRIDENT
- 22. SPLIT AND NOTCHED FOR ACCESS FLOOR IN CARGO AREA
- 23. TRAVEL STOPS FOR FRONT INLET/OUTLET SWIVEL SHIPPED LOOSE
- 24. ONE PIKE POLE TUBE SHIPPED LOOSE
- 25. CIRCUIT BREAKER BOX HIGH ON FRONT WALL OF COMPARTMENT LS3
- 26. ONE FULL WIDTH/DEPTH ADJUSTABLE SHELF WITH 1.00\"/>

		JOB NO.	34974
		SCALE	01-02
TITLE 1500-D 750 GAL POLY W/50 GAL FOAM CELL, 152\"/>		DRAWN BY	JWO
		CHECKED BY	JBL
FOR LOUDOUN COUNTY DEPT. OF FIRE AND EMERGENCY SERVICES ASHBURN, VIRGINIA		SHEET SIZE	D
		SHEET NO.	1 OF 1

REV	DATE	BY	CH	VELOCITY FR
090CT20	JWO	JBL	MAKE	PIERCE
07JUL20	BKB	JBL	MODEL	
29MAY20	JWO	JBL		

34974AD