

**PUMPER
BODY**

Medium Aluminum 2nd Gen Pumper

CHASSIS

Enforcer Chassis

**CHASSIS
AXLE, FRONT, CUSTOM**

19,500 Lb Oshkosh Tak-4 Axle

AXLE, REAR

24,000 Lb Meritor Axle

ENGINE

500 HP Cummins X12

TRANSMISSION

Allison 5th Gen, 4500 EVS P

BUMPER

19" Extended Stainless Steel

CAB

7010 Enforcer Cab

**BODY
WATER TANK**

750 Gallon New York Style Water Tank

COMPT, PUMPER, REAR

30.75" FF RollUp Rear Compt

COMPT, PUMPER, DRIVER SIDE

152" RollUp Full Height Front & Rear FDLR

COMPT, PUMPER PASS. SIDE

152" RollUp Full Height Front & Rear FDLR

**FIRE SUPPRESSION
PUMPHOUSE**

48" Control Zone Side Mount

PUMP

1500 GPM Waterous CSU

CROSSLAYS, 1.50"

(2) 1.50" Standard Capacity

CROSSLAYS, 2.50"

(1) 2.50" Standard Capacity

SPEEDLAYS

SpeedLays Not Required

GENERATOR

Generator Not Required

Foam System

Piping For Future Husky 3/12 Foam System

Foam Cell

20 Gallon Foam Cell, Not Reduced Water

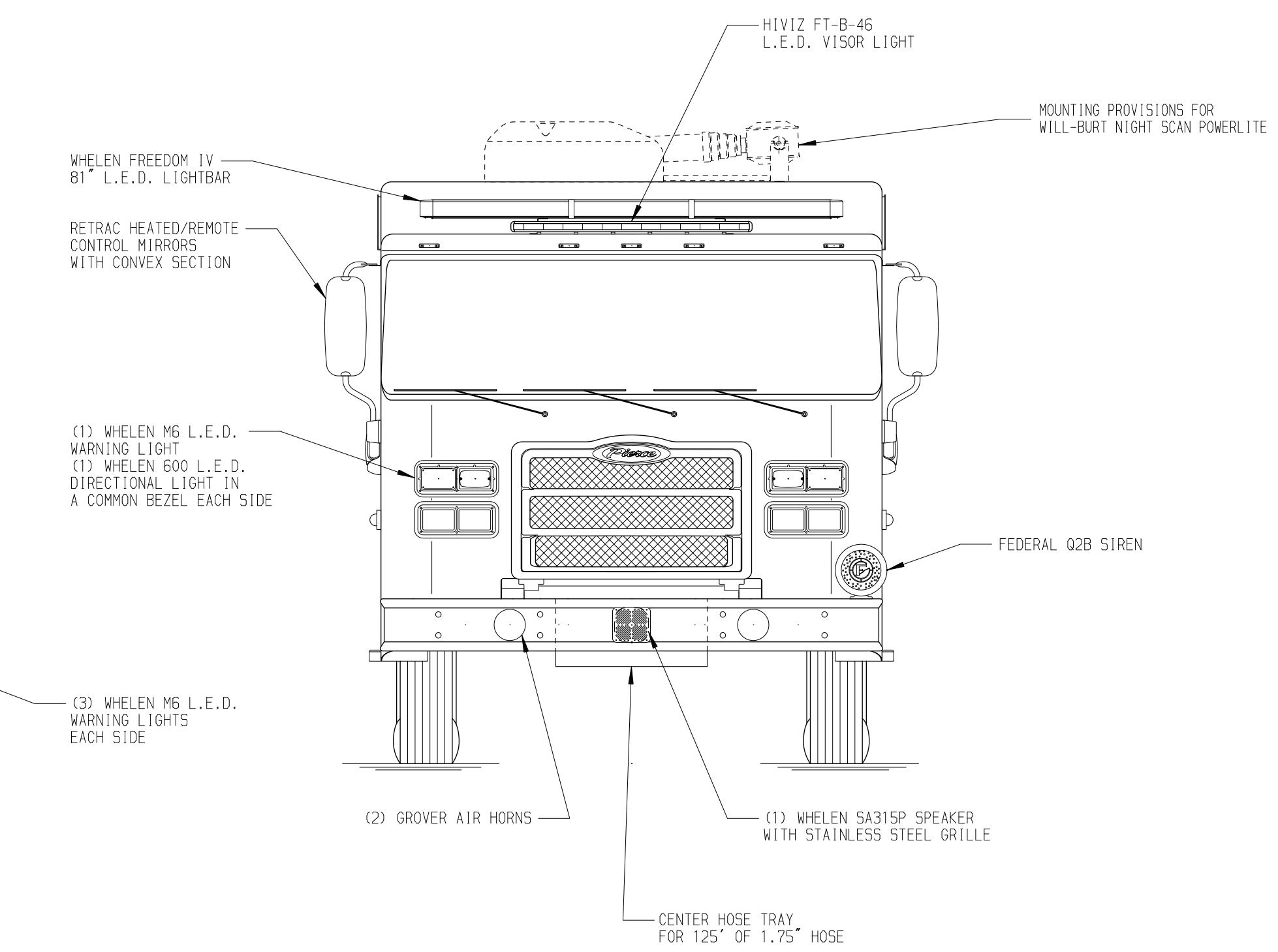
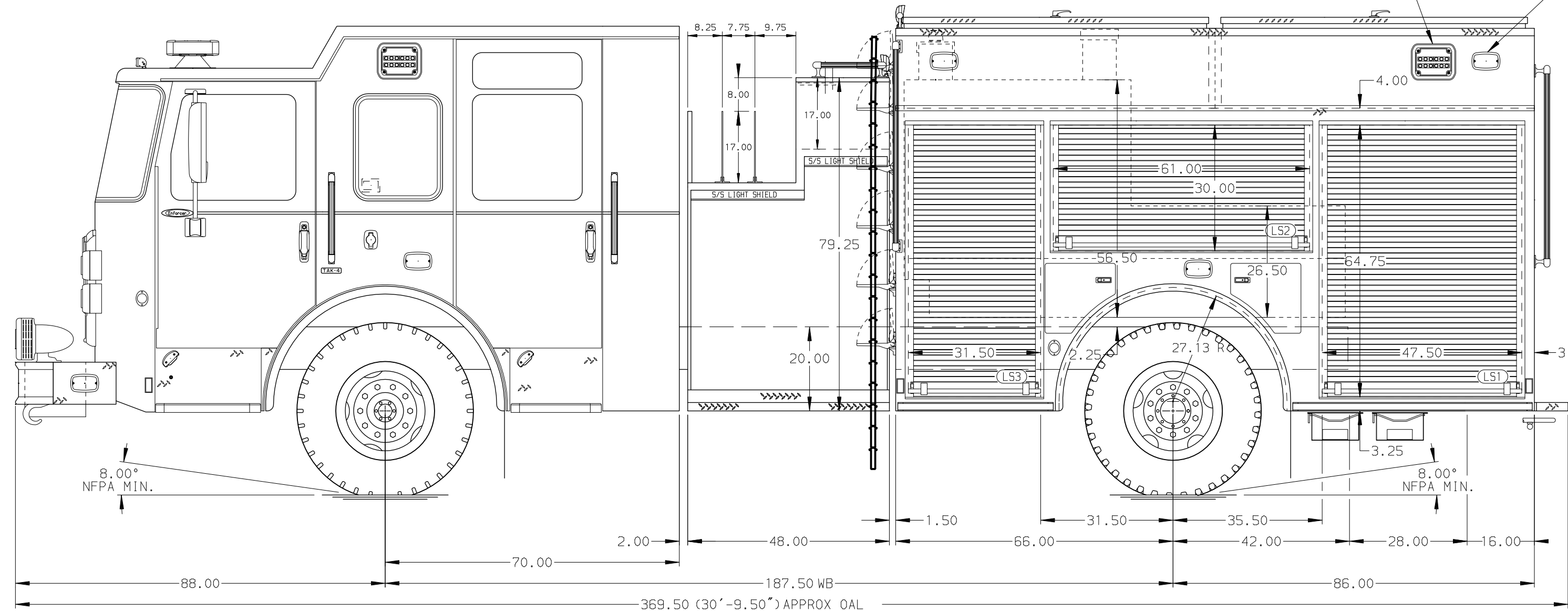
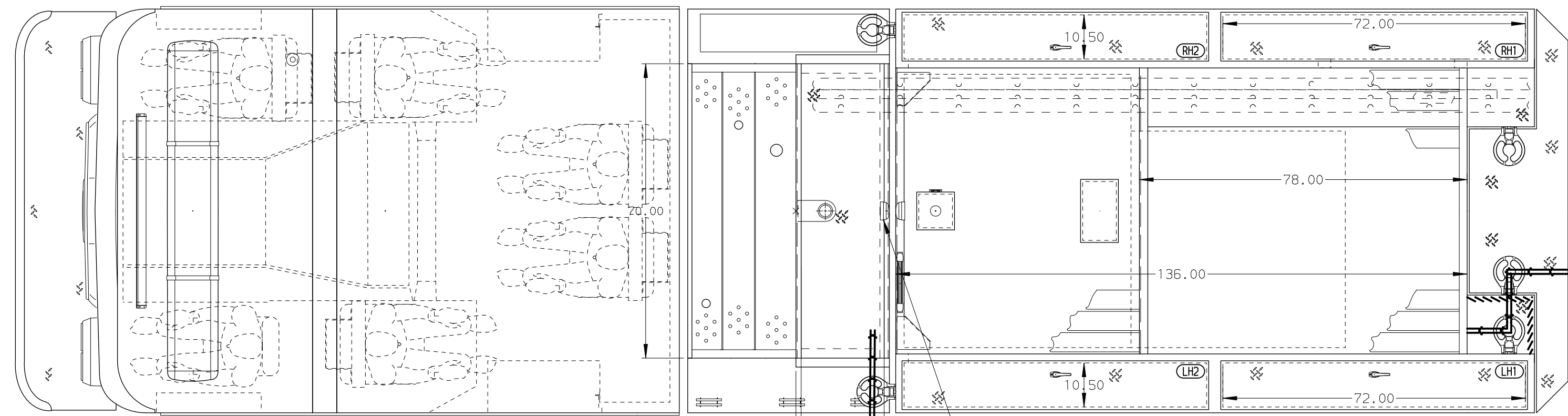
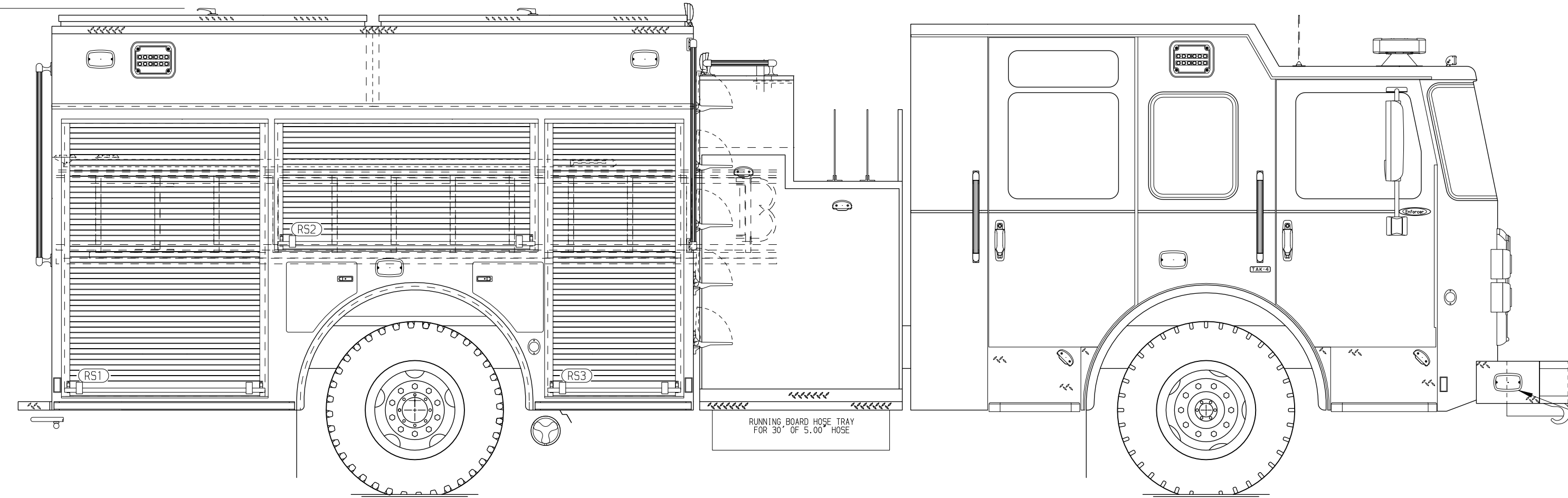
Side Roll and Frontal Impact Protection

NOTE

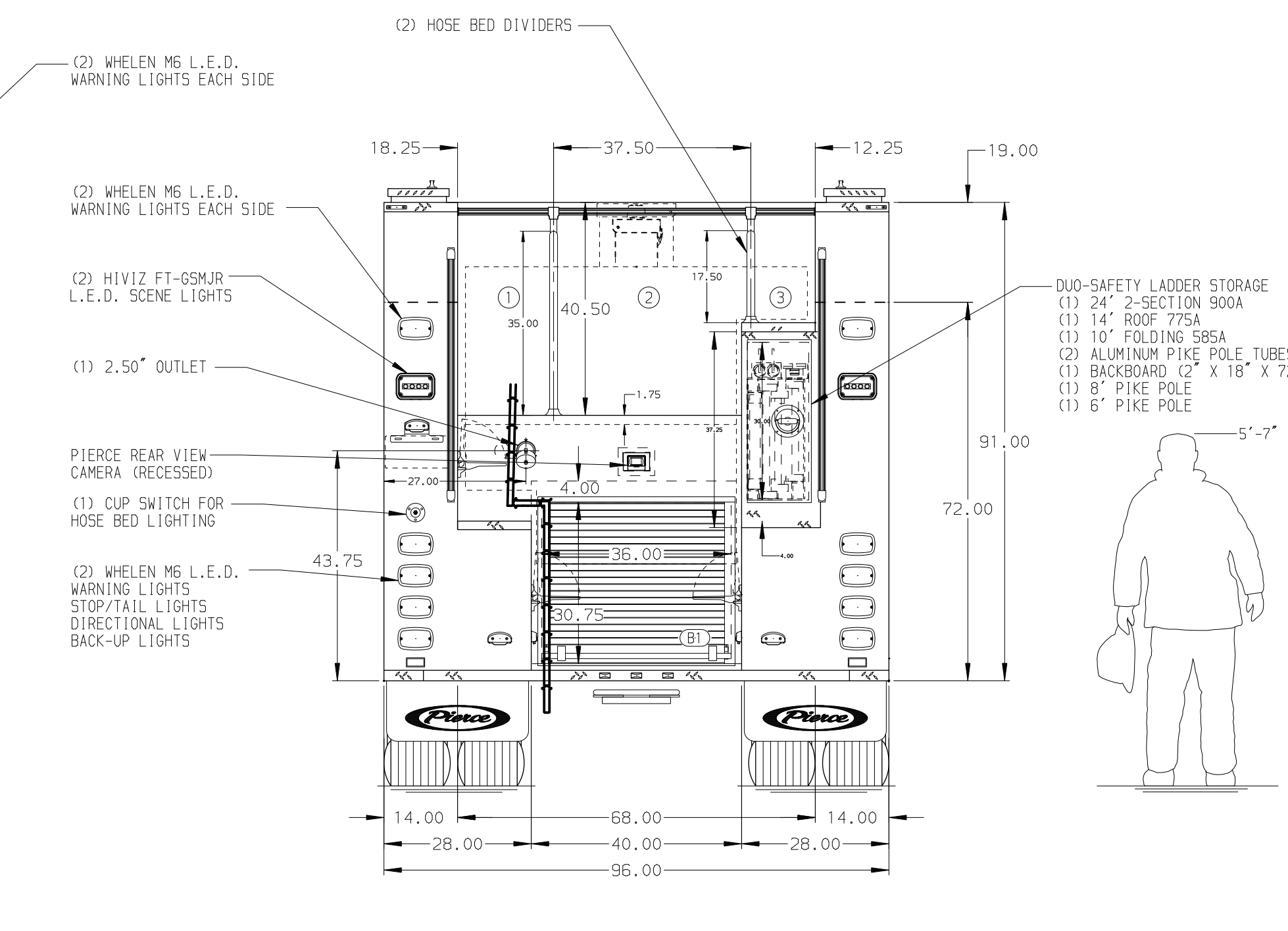
DIMENSIONS SHOWN ARE APPROXIMATE AND ARE SUBJECT TO MINOR DEVIATIONS AS MAY OCCUR OR BE NECESSARY IN CONSTRUCTION. MINOR DETAILS NOT SHOWN.

- ONE 1.50" OUTLET WITH 2.00" PIPING AND SWIVEL LOCATED IN CENTER BUMPER TRAY
- SHORELINE RECEPTACLE WITH KUSHKUL SUPER AUTO-EJECT LOCATED ON DRIVER SIDE OF CAB
- AIR INLET WITH DISCONNECT COUPLING IN THE DRIVER SIDE STEPWELL
- BATTERY CHARGER LOCATED BEHIND DRIVER'S SEAT
- FIVE ADJUSTABLE SHELVES IN COMPARTMENTS PER SHOP ORDER
- TWO 120V RECEPTACLES LOCATED PER SHOP ORDER
- TWO FLOOR MOUNTED TRAYS LOCATED IN COMPARTMENT PER SHOP ORDER

119.00
(9'-11")
APPROX
O.A.H.



HOSEBED CAPACITY	
BED 1	750' OF 3.00" D.J. POLY HOSE
BED 2	1000' OF 5.00" D.J. POLY HOSE
BED 3	250' OF 3.00" D.J. POLY HOSE



CUSTOMER APPROVAL			
APPROVED BY:			
DATE:			
REV	DATE	BY	CH
26	JUL21	COL	THS

		JOB NO.	36891
		SCALE	DATE
TITLE	Pierce Pumper Approval Drawing	DRAWN BY	COL
FOR	Pierce Stock Field Unit	CHECKED BY	THS
DWG NO.	36891AD	SHEET SIZE	D
		SHEET NO.	1 OF 1