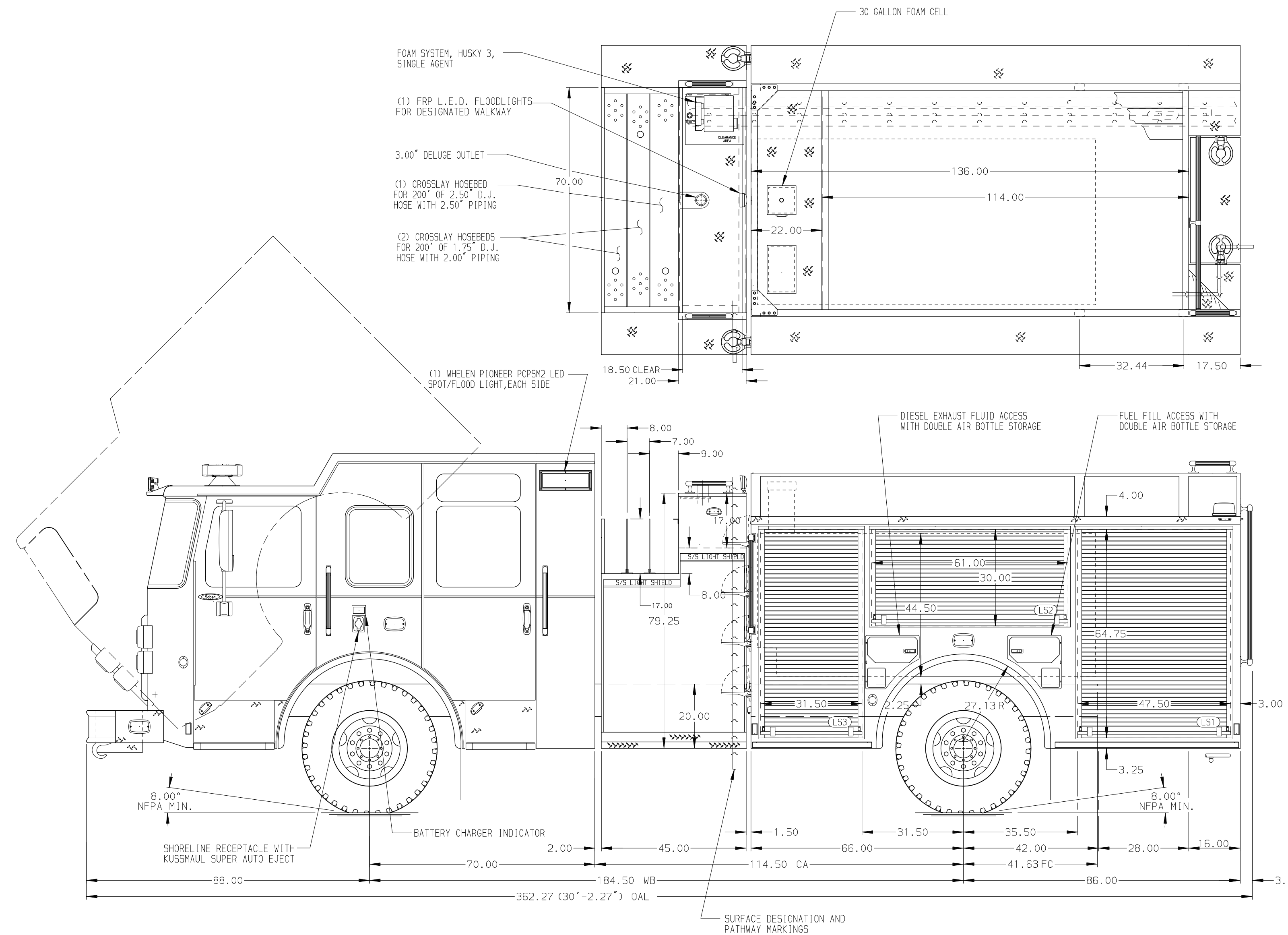
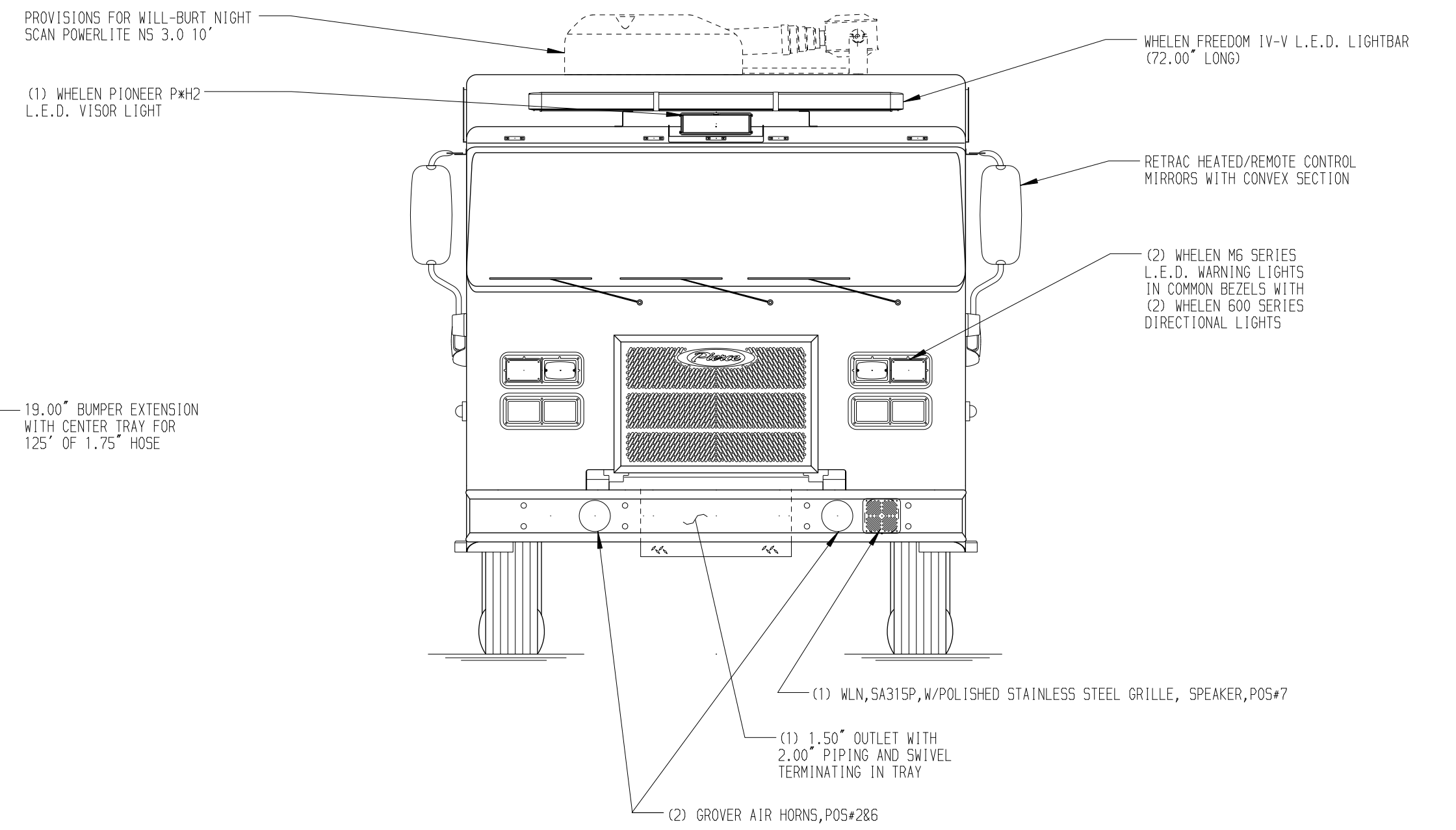
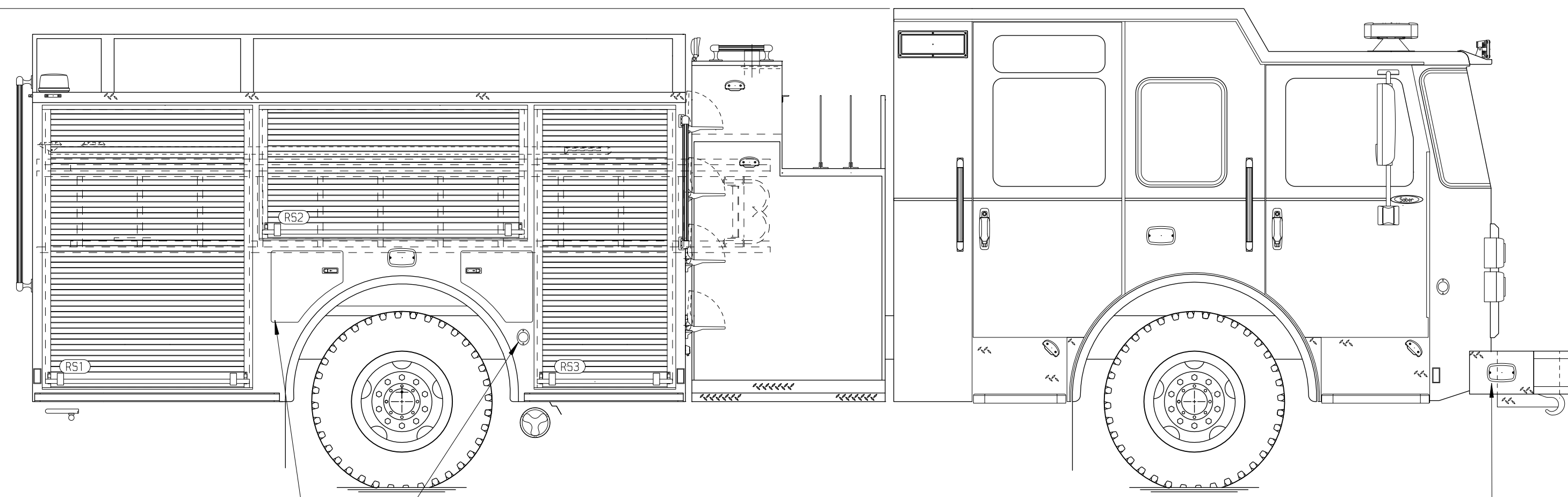
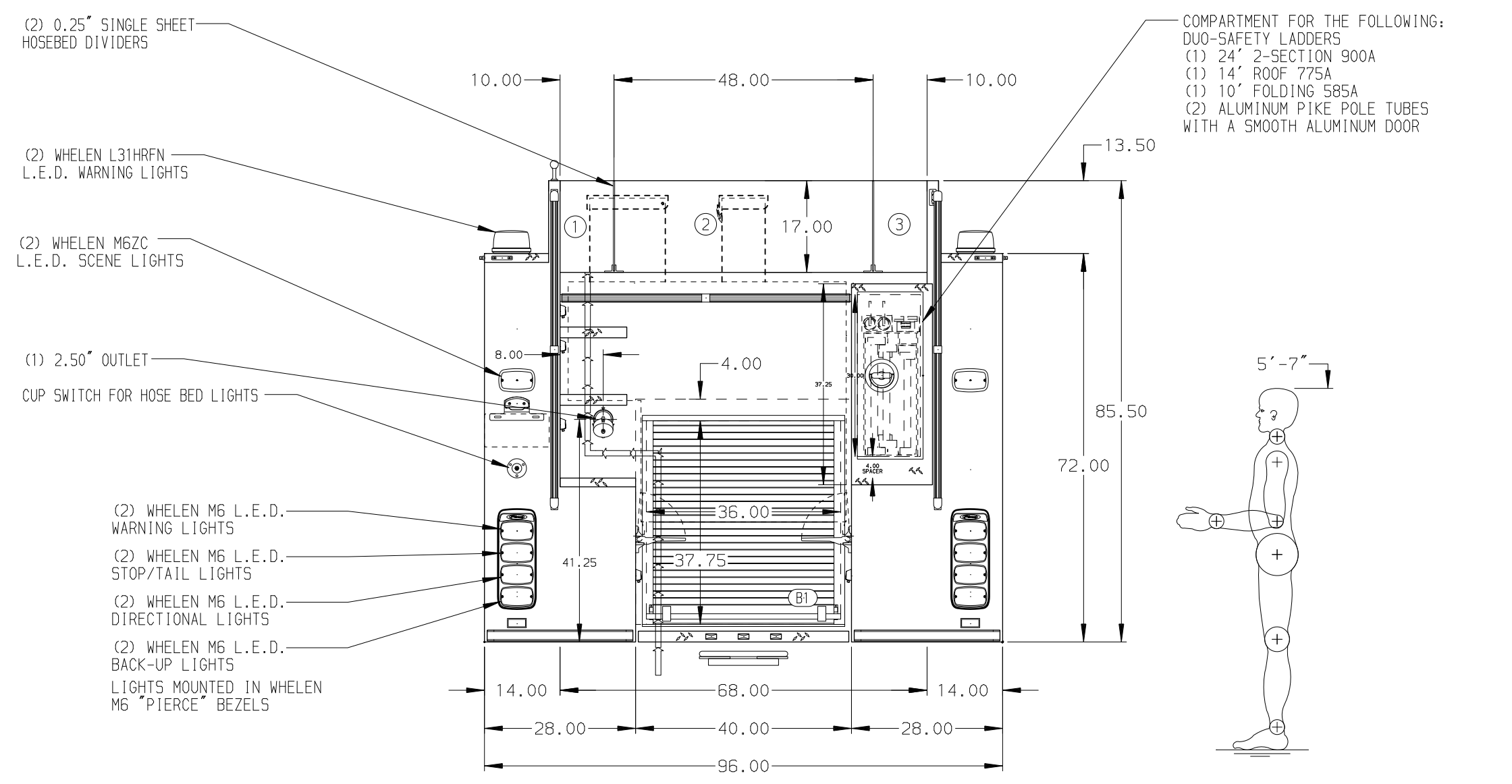


112.00
(9'-4.00")
APPROX
O.A.H.



- HOSEBED CAPACITIES
- ① 200' OF 2.50\"/>



ALUMINUM BODY

NOTE
DIMENSIONS SHOWN ARE APPROXIMATE AND ARE SUBJECT TO MINOR DEVIATIONS AS MAY OCCUR OR BE NECESSARY IN CONSTRUCTION. MINOR DETAILS NOT SHOWN.

CHASSIS DATA	TITLE	1500-D-770 GAL, 750 WATER, 20 GAL FOAM, 152\"/>
PIERCE	FOR	PIERCE FIELD UNIT BRADENTON, FLORIDA
MODEL	DWG NO.	36610AD
SABER FR	REV	

		JOB NO.	36610
		SCALE	DATE
1500-D-770 GAL, 750 WATER, 20 GAL FOAM, 152\"/>		DRAWN BY	JLA
(2) CROSSLAYS, 45\"/>		CHECKED BY	CAG
PIERCE FIELD UNIT BRADENTON, FLORIDA		SHEET SIZE	SHEET NO.
		D	1 OF 1