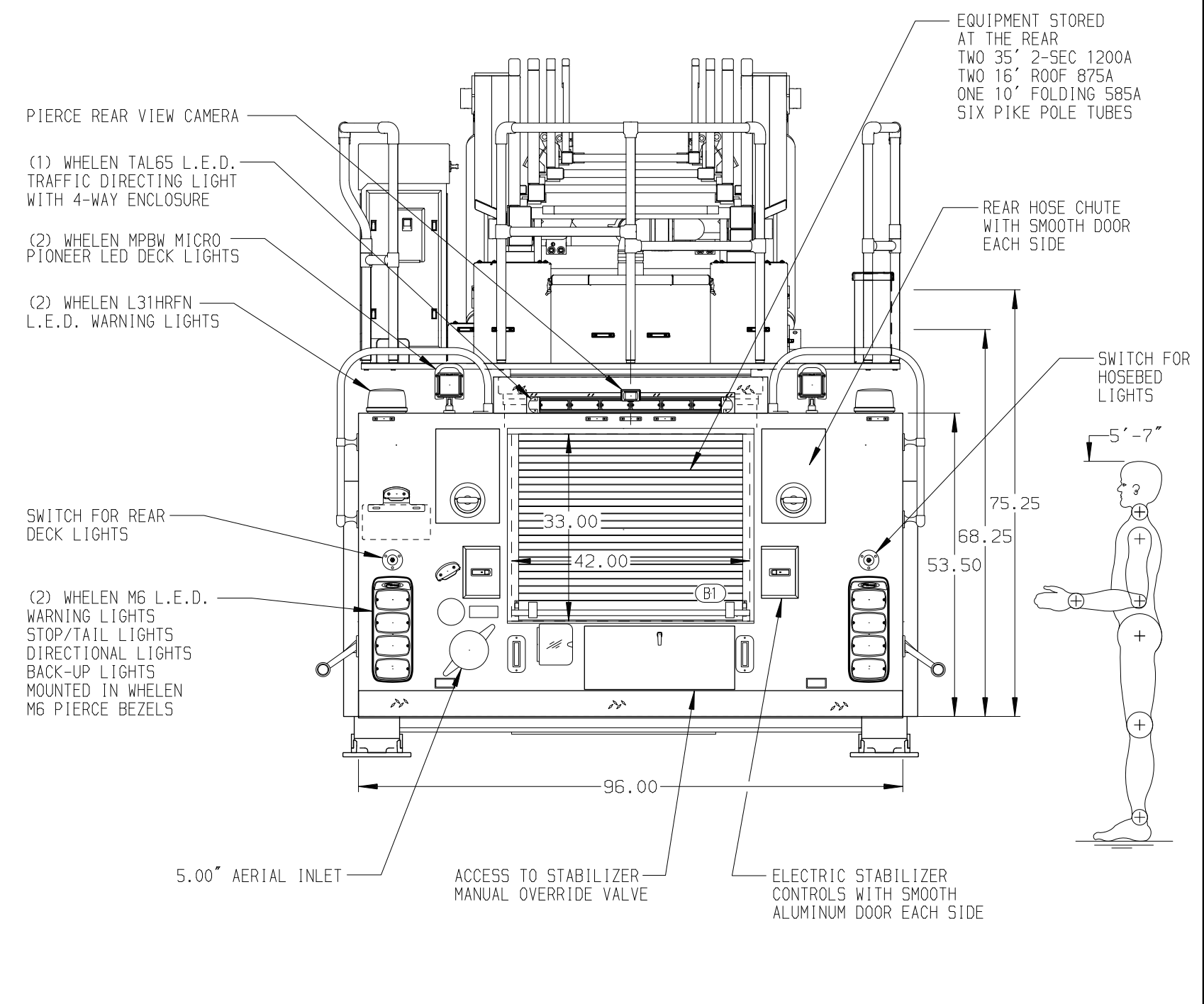


<p>BODY</p> <p>Aerial, HD Ladder 105', Alum Body</p> <p>COMPT, LEFT SIDE FRONT</p> <p>FH/FD RollUp Forward w/o Chute</p> <p>COMPT, LEFT SIDE REAR</p> <p>FH RollUp and Lift-up Rearward</p> <p>COMPT, RIGHT SIDE FRONT</p> <p>Full Height RollUp Forward</p> <p>COMPT, RIGHT SIDE REAR</p> <p>Full Height RollUp and Liftup Rearward</p>	<p>WATER TANK</p> <p>480 Gallon PAL Notched Poly Water Tank</p> <p>Foam System</p> <p>Husky 3 Single Agent Foam System</p> <p>Foam Cell</p> <p>20 Gallon Foam Cell, Reduced Water</p>
---	--



<p>CHASSIS</p> <p>Enforcer Chassis</p> <p>ENGINE</p> <p>500 HP Cummins X12 Engine</p>	<p>CAB</p> <p>7010 Notched Enforcer Cab</p> <p>BUMPER</p> <p>19" Extended Painted Steel</p>	<p>AXLE, FRONT, CUSTOM</p> <p>22,800 Lb TAK-4 Axle</p> <p>AXLE, REAR</p> <p>48,000 Lb Meritor Axle</p>	<p>TRANSMISSION</p> <p>Allison 5th Gen, 4500 EV5 P</p>	<p>PUMPHOUSE</p> <p>52" Control Zone Side Mount</p> <p>PUMP</p> <p>2000 GPM Watertous CSU</p>	<p>CROSSLAYS, 1.50"</p> <p>(2) 1.50" Standard Capacity</p> <p>CROSSLAYS, 2.50"</p> <p>(1) 2.50" Standard Capacity</p>	<p>SPEEDLAYS</p> <p>Speedlays Not Required</p> <p>GENERATOR</p> <p>Harrison 10kW MCR Hydraulic</p>	<p>SAFETY</p> <p>Side Roll and</p> <p>Frontal Impact Protection</p>	<p>CUSTOMER APPROVAL</p> <p>APPROVED BY: _____</p> <p>DATE: _____</p>	<p>Pierce MANUFACTURING INC.</p>	<p>JOB NO. 36584</p> <p>SCALE 1:24</p> <p>DATE</p>		
<p>NOTE</p> <p>DIMENSIONS SHOWN ARE APPROXIMATE AND ARE SUBJECT TO MINOR DEVIATIONS AS MAY OCCUR OR BE NECESSARY IN CONSTRUCTION. MINOR DETAILS NOT SHOWN.</p>										<p>1. ONE 1.50 OUTLET WITH 2.00 PIPING AND SWIVEL LOCATED IN CENTER BUMPER TRAY</p> <p>2. SHORELINE RECEPTACLE WITH KUSSMAUL SUPER AUTO-EJECT LOCATED ON DRIVER SIDE BEHIND THE CREW CAB DOOR</p> <p>3. AIR INLET WITH DISCONNECT COUPLING IN A RECESSED ALUMINUM TREADPLATE BOX IN THE DRIVER SIDE STEPPWELL</p> <p>4. BATTERY CHARGER LOCATED BEHIND DRIVER SEAT</p> <p>5. BATTERY CHARGE INDICATOR LOCATED BEHIND DRIVER'S SEAT DISPLAYED THROUGH WINDOW</p> <p>6. WHELEN 700CELZR L.E.D. LIGHT LOCATED AT THE FRONT OF THE HOSE BED</p> <p>7. TEN ADJUSTABLE SHELVES IN COMPARTMENTS PER SHOP ORDER</p> <p>8. ONE ADJUSTABLE TILTING SLIDE-OUT TRAY IN COMPARTMENT PER SHOP ORDER</p> <p>9. TWO FLOOR MOUNTED SLIDE-OUT TRAYS IN COMPARTMENTS PER SHOP ORDER</p>	<p>10. ONE SWING-OUT TOOL BOARD WITH PEGBOARD PATTERN IN COMPARTMENT PER SHOP ORDER</p> <p>11. ONE 120V DUPLEX RECEPTACLE IN EACH CAB EMS COMPARTMENT</p> <p>12. 3.00" RAISED AERIAL PEDestal</p> <p>13. LIFTING EYE RESCUE ATTACHMENT AT AERIAL TIP</p> <p>14. 28.50" LIMITED RETRACTION REQUIRED</p> <p>15. TURNABLE SHORTENED RIGHT SIDE</p> <p>16. THREE FLOOR MOUNTED SLIDE-OUT TRAYS WITH SPECIAL SIDES LOCATED PER SHOP ORDER</p> <p>17. COMPARTMENT HEATER LOCATED PER SHOP ORDER</p> <p>18. PAC TRAC LOCATED PER SHOP ORDER</p> <p>19. CIRCUIT BREAKER PANEL LOCATED PER SHOP ORDER</p>	<p>20. HANNAY CORD REEL MODEL 1618-17-18 WITH 200' OF 10/3 CABLE LOCATED IN CARGO AREA</p>
<p>REV</p> <p>DATE</p> <p>BY</p> <p>CH</p>	<p>28JUL21</p> <p>14JUN21</p> <p>26MAR21</p>	<p>COL</p> <p>TKA</p> <p>TKA</p>	<p>THS</p> <p>THS</p> <p>ZCH</p>	<p>MAKE</p> <p>PIERCE</p> <p>MODEL</p>	<p>TITLE</p> <p>FOR</p> <p>DWG NO.</p>	<p>105' AERIAL LADDER AND BODY ASSEMBLY</p> <p>MISSISSAUGA FIRE AND EMERGENCY SERVICES</p> <p>MISSISSAUGA, ONTARIO, CANADA</p> <p>36584AD</p>	<p>DRAWN BY</p> <p>CHECKED BY</p> <p>SHEET SIZE</p>	<p>TKA</p> <p>ZCH</p> <p>D</p>	<p>DATE</p> <p>23MAR21</p> <p>24MAR21</p> <p>SHEET NO.</p>	<p>1 OF 1</p>		