

PUMPER BODY

Long Aluminum 2nd Gen Pumper

CHASSIS

Enforcer Chassis

CHASSIS AXLE, FRONT, CUSTOM

20,000 Lb Dana Axle

AXLE, REAR

31,000 Lb Dana Axle

ENGINE

450 HP Cummins L9 Engine

TRANSMISSION

Allison 5th Gen, 3000 EVS P

BUMPER

19" Extended Stainless Steel

CAB

6010 Enforcer Cab

BODY WATER TANK

1500 Gallon Poly Water Tank

COMPT, PUMPER, REAR

37.75" FF RollUp Rear Compt

COMPT, PUMPER, LEFT SIDE

171" RollUp Full Height Front & Rear FDLR

COMPT, PUMPER, RIGHT SIDE

171" RollUp Full Height Front & Rear FDLR

FIRE SUPPRESSION PUMPHOUSE

48" Control Zone Side Mount

PUMP

1250 GPM Waterous CS

CROSSLAYS, 1.50"

1.50" Crosslays Not Required

CROSSLAYS, 2.50"

2.50" Crosslay Not Required

SPEEDLAYS

(2) 1.50" W/Troy Std. Capacity

GENERATOR

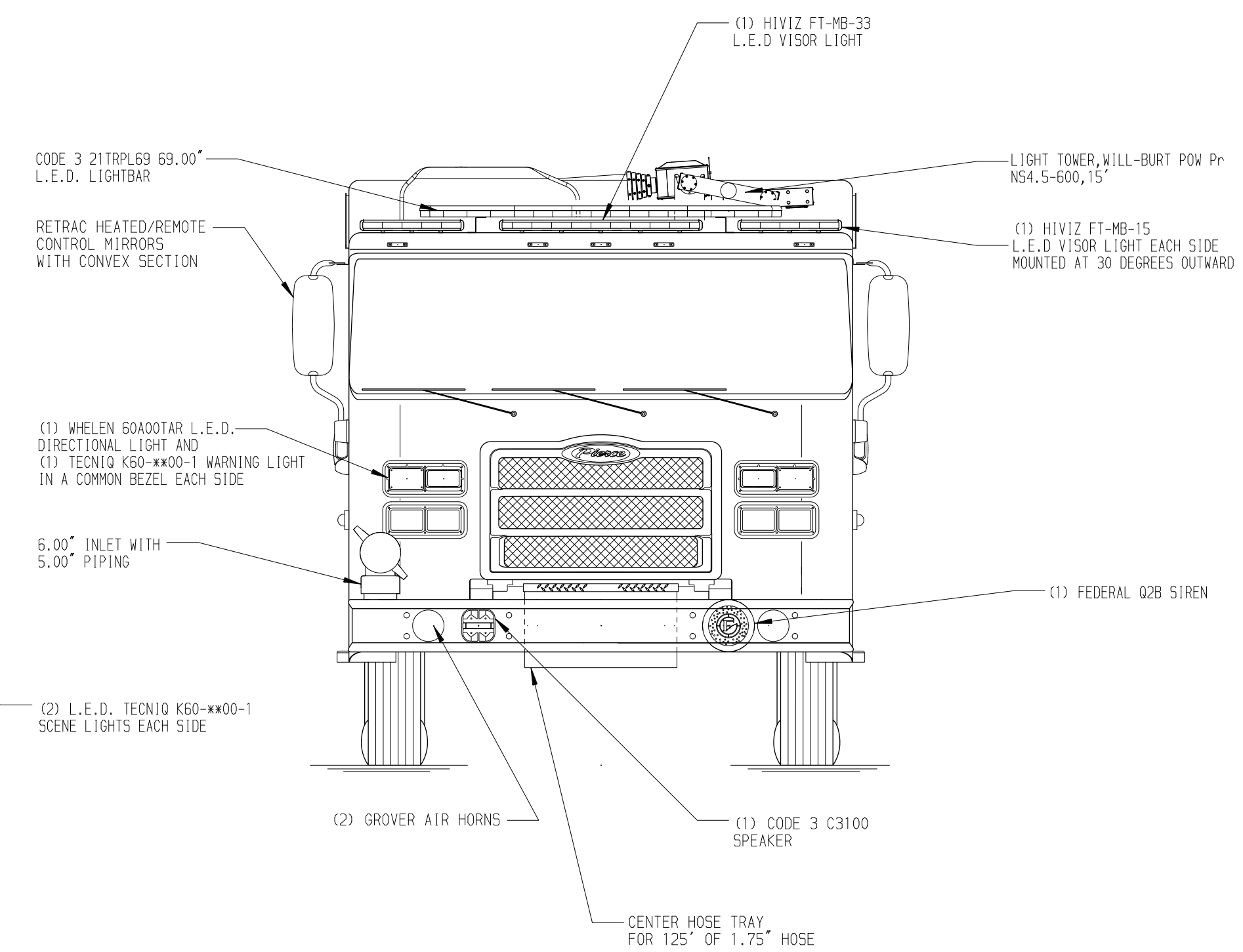
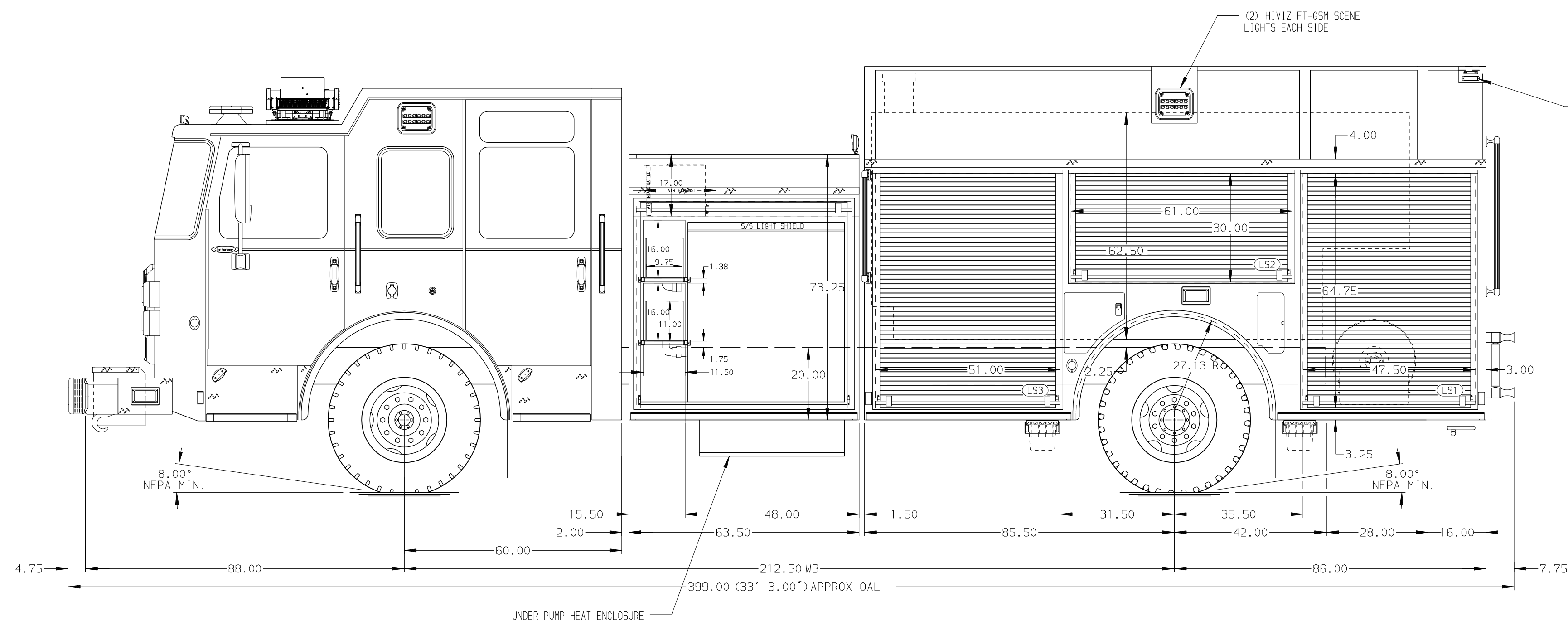
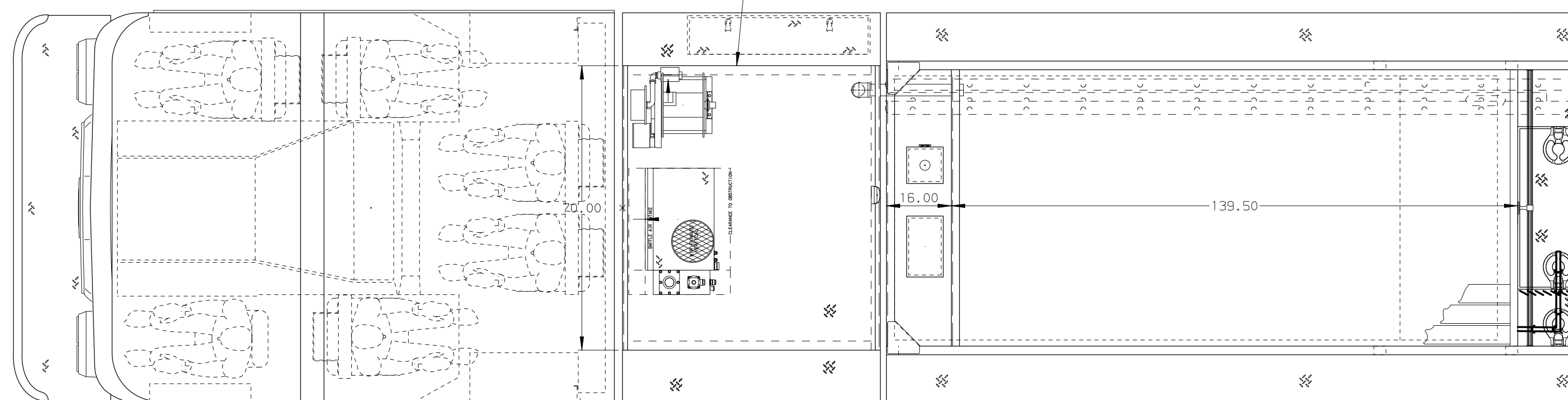
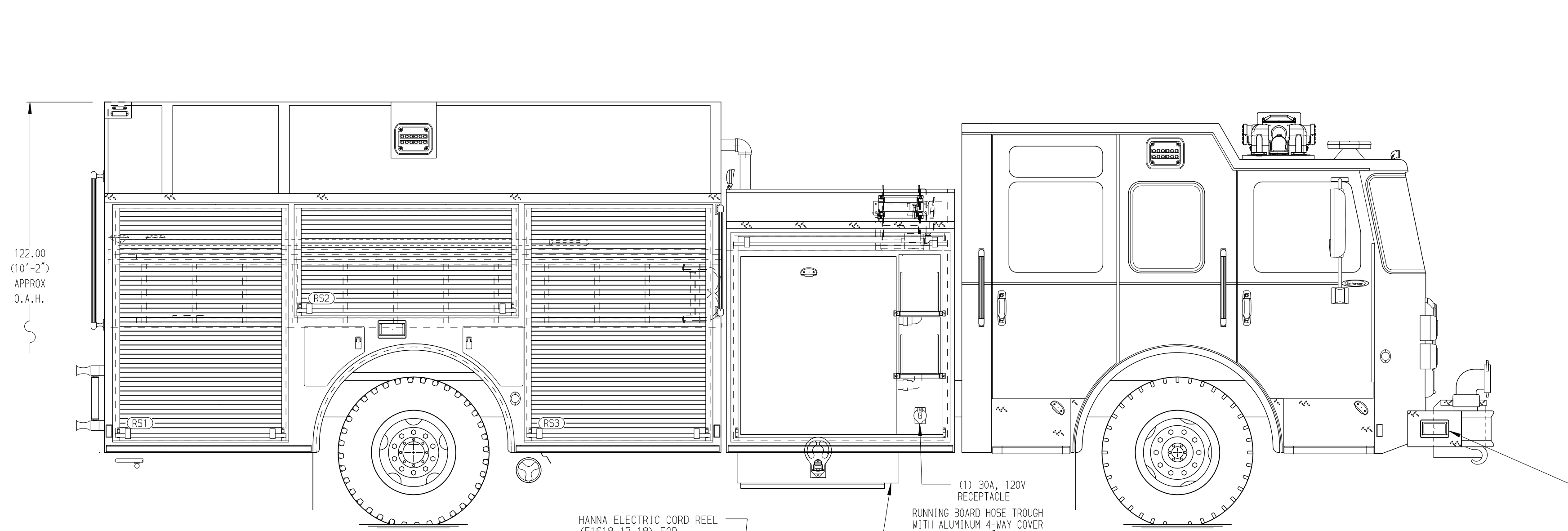
4.8 KW MSV Generator

Foam System

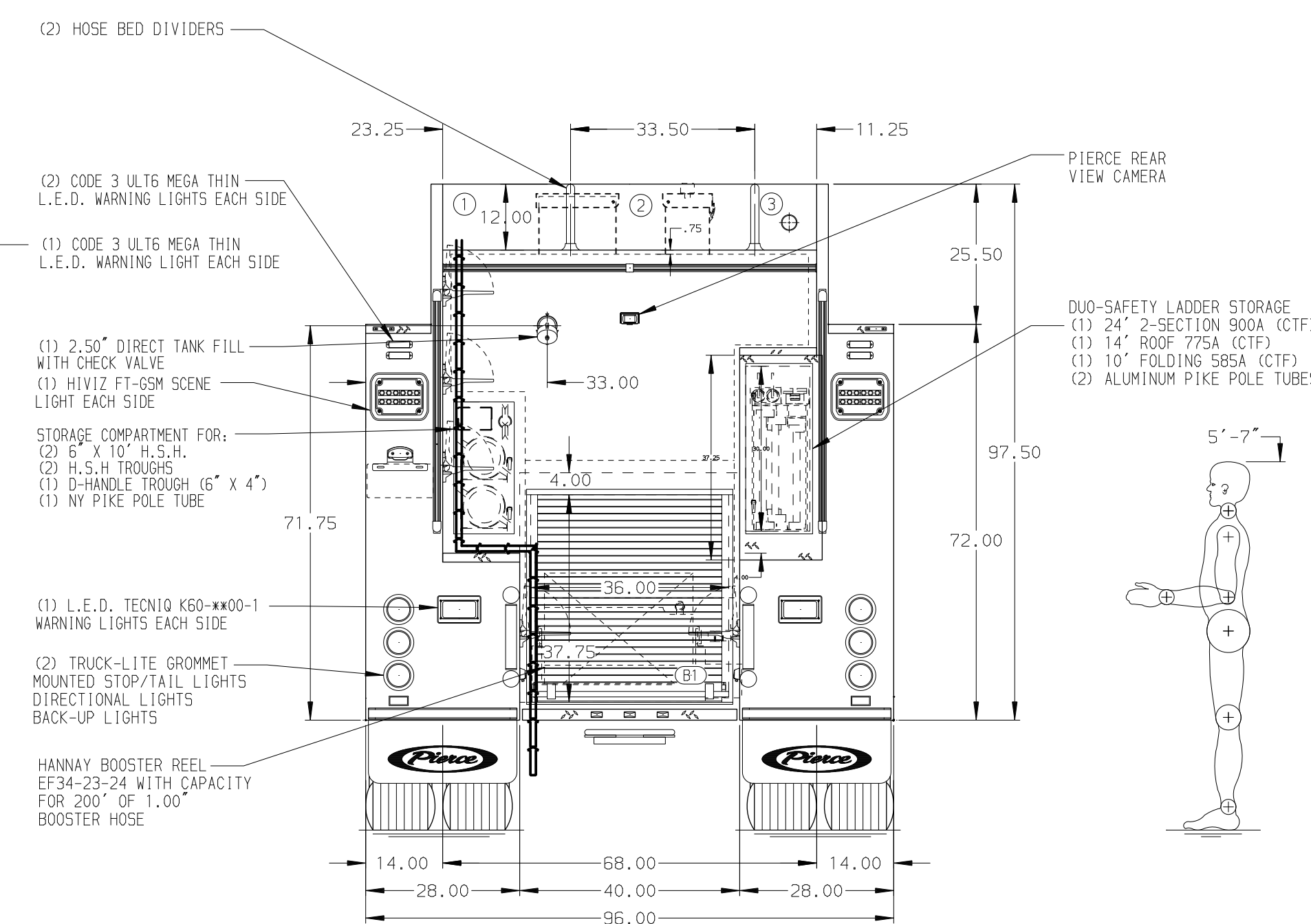
Husky 3 Single Agent Foam System

Foam Cell

30 Gallon Foam Cell, Not Reduced Water



HOSEBED CAPACITY	
BED 1	800' OF 2.50" D.J. POLY HOSE
BED 2	600' OF 5.00" D.J. POLY HOSE
BED 2	200' OF 2.50" D.J. POLY HOSE



MAXIMUM O.A.H 122.00" TARGET O.A.L 399.00"

NOTE
DIMENSIONS SHOWN ARE APPROXIMATE AND ARE SUBJECT TO MINOR DEVIATIONS AS MAY OCCUR OR BE NECESSARY IN CONSTRUCTION. MINOR DETAILS NOT SHOWN.

- ONE 1.50" OUTLET WITH 2.00" PIPING AND SWIVEL LOCATED IN CENTER BUMPER TRAY
- SHORELINE RECEPTACLE WITH KUSSMALL SUPER AUTO-EJECT LOCATED ON DRIVER SIDE OF THE CAB
- AIR INLET WITH KUSSMALL AIR EJECT LOCATED ON DRIVER SIDE OF CAB
- TOOLBOARD WITH NO HOLES ADDED TO SLIDE-OUT TRAY LOCATED IN COMPARTMENT PER SHOP ORDER
- TWO TOOLBOARDS MOUNTED ON BACK WALL OF COMPARTMENTS PER SHOP ORDER
- FIVE ADJUSTABLE SHELVES IN COMPARTMENTS PER SHOP ORDER
- THREE FLOOR MOUNTED SLIDE-OUT TRAY IN COMPARTMENT PER SHOP ORDER
- ONE MICROPHONE & SPEAKER W/PLAIN DOOR LOCATED ON OPERATORS PANEL

REV	DATE	BY	CH	ENFORCER
16NOV21	MMF	DTJ		CHASSIS DATA
25AUG21	MMF	CHR		MAKE
13JUL21	MMF	CHR		PIERCE
05MAY21	MMF	CHR		MODEL

Pierce MANUFACTURING INC.		JOB NO.	36581
		SCALE	DATE
		1:24	
TITLE		Pierce Pumper Approval Drawing	
FOR		Park Falls Fire Department	
DRAWN BY		MMF	23MAR21
CHECKED BY		COL	24MAR21
DWG NO.		36581AD	
SHEET SIZE		D	SHEET NO.
			1 OF 1