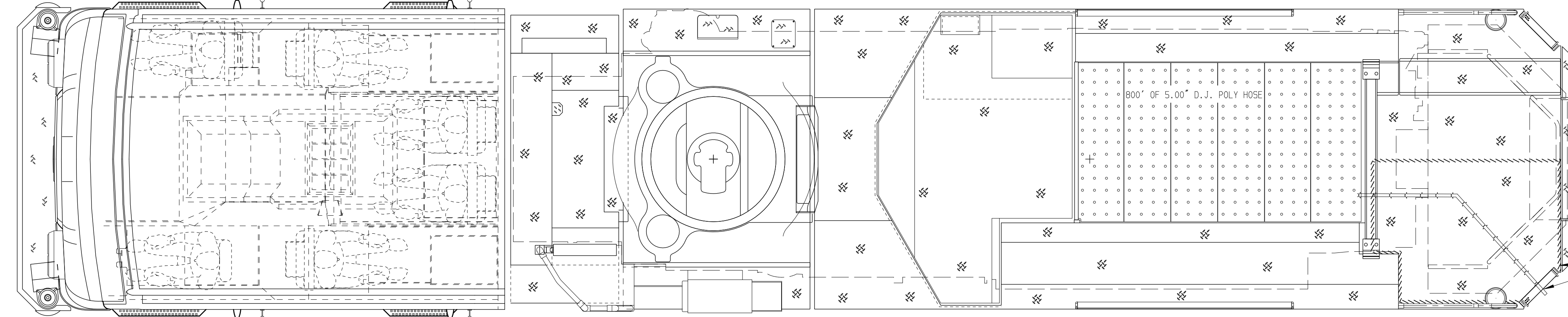


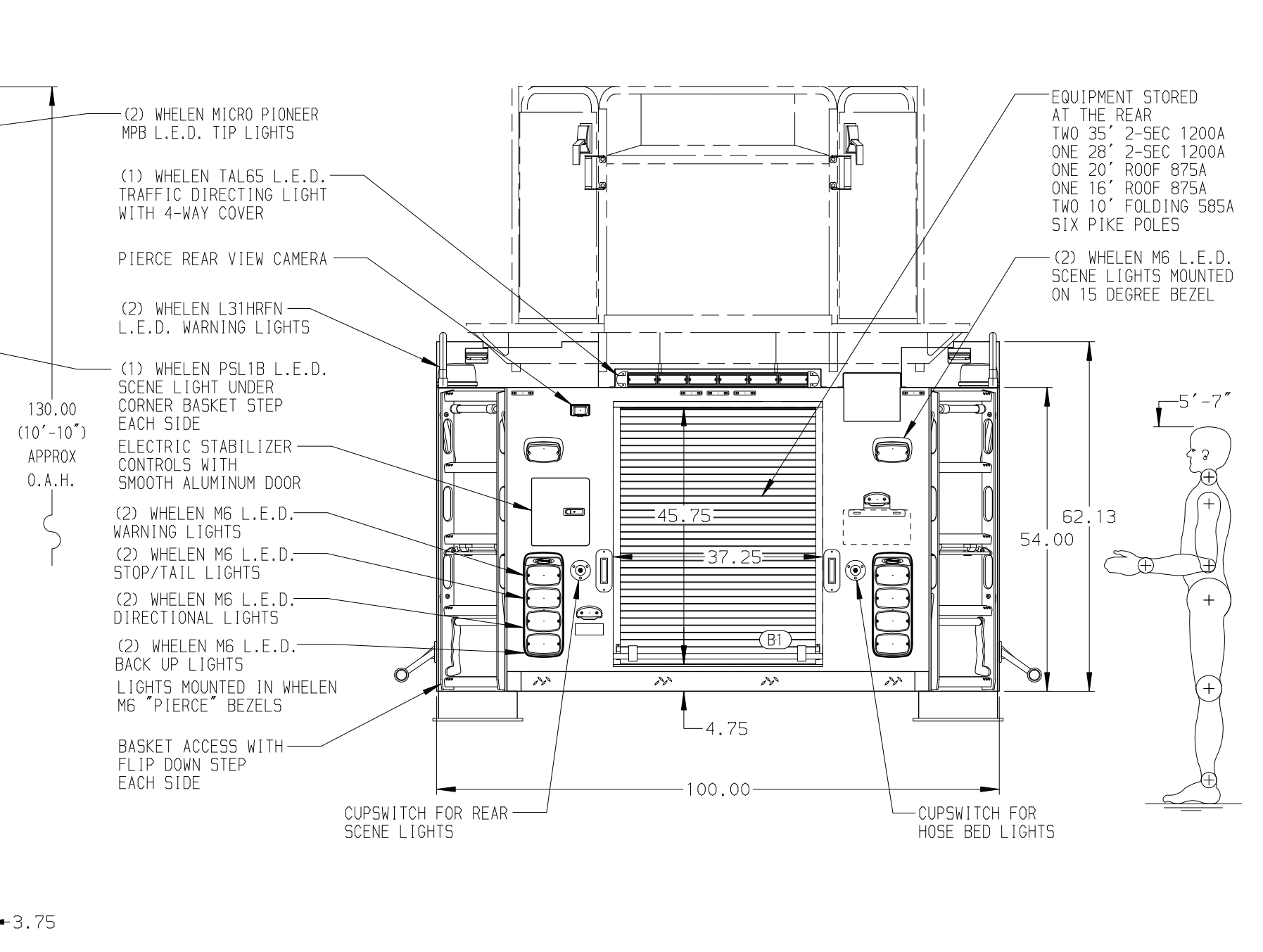
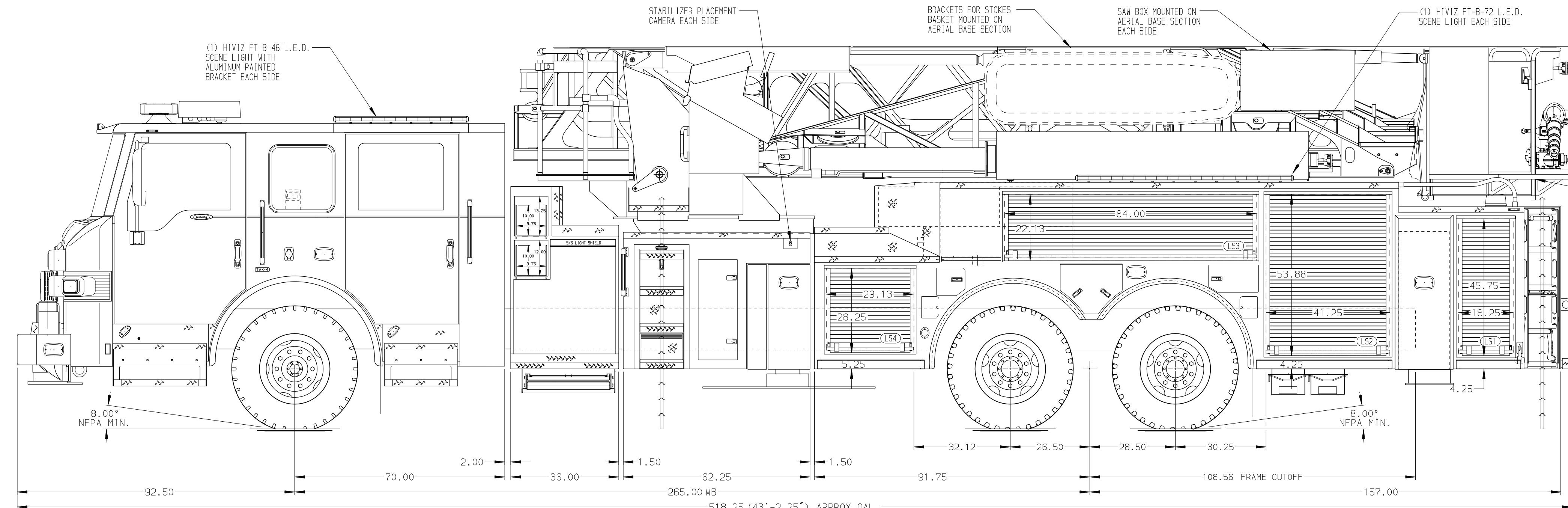
(2) WHELEN M6 L.E.D. STABILIZER WARNING LIGHTS EACH SIDE
 (1) WHELEN MICRO PIONEER MPB L.E.D. TRACKING LIGHT EACH SIDE
 (1) DOUBLE AIR BOTTLE COMPARTMENT EACH SIDE
 COMPARTMENT FOR (3) AIR BOTTLES EACH SIDE
 (1) AIR BOTTLE COMPARTMENT EACH SIDE

WHELEN FREEDOM IV 72" L.E.D. LIGHTBAR
 FRONT CROSS VIEW 10.50" CONVEX MIRROR
 RETRACT HEATED/REMOTE CONTROL MIRRORS WITH CONVEX SECTION AND MARKER LIGHT
 (2) WHELEN M6 L.E.D. WARNING LIGHTS IN A COMMON BEZEL EACH SIDE
 (3) WHELEN M6 L.E.D. WARNING LIGHTS EACH SIDE
 HI-VIZ FT-B-72-ML L.E.D. VISOR LIGHT WITH INTEGRATED MARKER LIGHTS
 (1) FEDERAL Q2B SIREN RECESSED IN GRILLE
 (2) GROVER AIR HORNS
 (1) WHELEN S431SP SPEAKER WITH 5/STL GRILLE

BODY 100' Ascendant Aerial Tower Alum Body COMPT, DRIVER SIDE Full Height RollUp Doors COMPT, PASSENGER SIDE Full Height RollUp Doors	WATER TANK 300 Gallon Poly Water Tank Foam System Foam System Not Required Foam Cell Foam Cell Not Required
---	---



SURFACE DESIGNATION AND PATHWAY MARKINGS



(1) HI-VIZ FT-B-46 L.E.D. SCENE LIGHT WITH ALUMINUM PAINTED BRACKET EACH SIDE

STABILIZER PLACEMENT CAMERA EACH SIDE

BRACKETS FOR STOKES BASKET MOUNTED ON AERIAL BASE SECTION

SAW BOX MOUNTED ON AERIAL BASE SECTION EACH SIDE

(1) HI-VIZ FT-B-72 L.E.D. SCENE LIGHT EACH SIDE

(2) WHELEN MICRO PIONEER MPB L.E.D. TIP LIGHTS
 (1) WHELEN TALE5 L.E.D. TRAFFIC DIRECTING LIGHT WITH 4-WAY COVER

PIERCE REAR VIEW CAMERA
 (2) WHELEN L31HRFN L.E.D. WARNING LIGHTS

(1) WHELEN PSL1B L.E.D. SCENE LIGHT UNDER CORNER BASKET STEP EACH SIDE
 ELECTRIC STABILIZER CONTROLS WITH SMOOTH ALUMINUM DOOR

(2) WHELEN M6 L.E.D. WARNING LIGHTS
 (2) WHELEN M6 L.E.D. STOP/TAIL LIGHTS
 (2) WHELEN M6 L.E.D. DIRECTIONAL LIGHTS
 (2) WHELEN M6 L.E.D. BACK UP LIGHTS

LIGHTS MOUNTED IN WHELEN M6 "PIERCE" BEZELS
 BASKET ACCESS WITH FLIP DOWN STEP EACH SIDE

130.00 (10'-10") APPROX O.A.H.

EQUIPMENT STORED AT THE REAR
 TWO 35" 2-SEC 1200A
 ONE 28" 2-SEC 1200A
 ONE 20" ROOF 875A
 ONE 16" ROOF 875A
 TWO 10" FOLDING 565A SIX PIKE POLES

(2) WHELEN M6 L.E.D. SCENE LIGHTS MOUNTED ON 15 DEGREE BEZEL

5'-7"
 62.13
 54.00

45.75
 37.25
 (B1)

4.75
 100.00
 CUPSWITCH FOR REAR SCENE LIGHTS
 CUPSWITCH FOR HOSE BED LIGHTS

CHASSIS Velocity Chassis (Big Block) ENGINE 605HP Cummins X15 Engine	CAB 7000 Velocity FR Cab BUMPER 15" Extended Painted Aluminum	AXLE, FRONT, CUSTOM 24,000 Lb TAK-4 Axle AXLE, REAR 54,000 Lb Meritor Axle	TRANSMISSION Allison 5th Gen, 4500 EV5 P	PUMPHOUSE 36" Control Zone Side Mount PUMP 2000 GPM Waterous S100	CROSSLAYS, 1.50" (2) 1.50", With Trays, 200' CROSSLAYS, 2.50" 2.50" Crosslay Not Required	SPEEDLAYS Speedlays Not Required GENERATOR Generator Not Required	SAFETY Side Roll and Frontal Impact Protection	CUSTOMER APPROVAL APPROVED BY: _____ DATE: _____		JOB NO. 36496
NOTE DIMENSIONS SHOWN ARE APPROXIMATE AND ARE SUBJECT TO MINOR DEVIATIONS AS MAY OCCUR OR BE NECESSARY IN CONSTRUCTION. MINOR DETAILS NOT SHOWN.	1. SHORELINE RECEPTACLE WITH KUSSMAUL SUPER AUTO-EJECT LOCATED ON DRIVER SIDE OF THE CAB 2. AIR INLET WITH DISCONNECT COUPLING IN THE DRIVER SIDE STEPPWELL 3. BATTERY CHARGER LOCATED BEHIND DRIVER'S SEAT 4. BATTERY CHARGER INDICATOR BEHIND DRIVER'S SEAT DISPLAYED THROUGH WINDOW 5. FOUR ADJUSTABLE FULL WIDTH/FULL DEPTH SHELVES IN COMPARTMENTS PER SHOP ORDER 6. FOUR SLIDE-OUT FLOOR MOUNTED TRAYS IN COMPARTMENTS PER SHOP ORDER 7. L.E.D. LIGHT STRIPS LOCATED IN THE HOSE BED PER SHOP ORDER 8. NON-RAISED AERIAL PEDESTAL 9. DC POWER TO AERIAL TIP 10. 3-in-1 LYFECOMBO BRACKETS AT AERIAL BASKET									TITLE 100' ASCENDANT AERIAL TOWER AND BODY ASSEMBLY FOR PIERCE FIELD UNIT APPLETON, WI DWG NO. 36496AD SCALE 1:24 DATE 03MAR21 CHECKED BY THS SHEET NO. 1 OF 1