

**PUMPER BODY**

Medium Aluminum 2nd Gen Pumper

**CHASSIS**

Impel Chassis

**CHASSIS AXLE, FRONT, CUSTOM**  
19,500 Lb TAK-4 Axle

**AXLE, REAR**  
24,000 Lb Meritor Axle

**ENGINE**  
450 HP Cummins L9 Engine

**TRANSMISSION**  
Allison 5th Gen, 3000 EVS P

**BUMPER**  
19" Extended Steel Pointed

**CAB**  
7010 Impel FR Cab

**BODY WATER TANK**  
500 Gallon Poly Water Tank

**COMPT, PUMPER, REAR**  
30.75" FF RollUp Rear Compt

**COMPT, PUMPER, LEFT SIDE**  
152" RollUp Full Height & Depth Front & Rear

**COMPT, PUMPER, RIGHT SIDE**  
152" RollUp Full Height Front & Rear FDLER

**FIRE SUPPRESSION PUMPHOUSE**

45" Control Zone Side Mount

**PUMP**

1500 GPM Waterous CSU

**CROSSLAYS, 1.50"**  
1.50" Crosslays Not Required

**CROSSLAYS, 2.50"**  
2.50" Crosslay Not Required

**SPEEDLAYS**

(2) 1.50" & (1) 2.50" w/Troy Std. Capacity

**GENERATOR**

Harrison 6kW MSV Hydraulic Generator

**Foam System**

Husky 3 Single Agent Foam System

**Foam Cell**

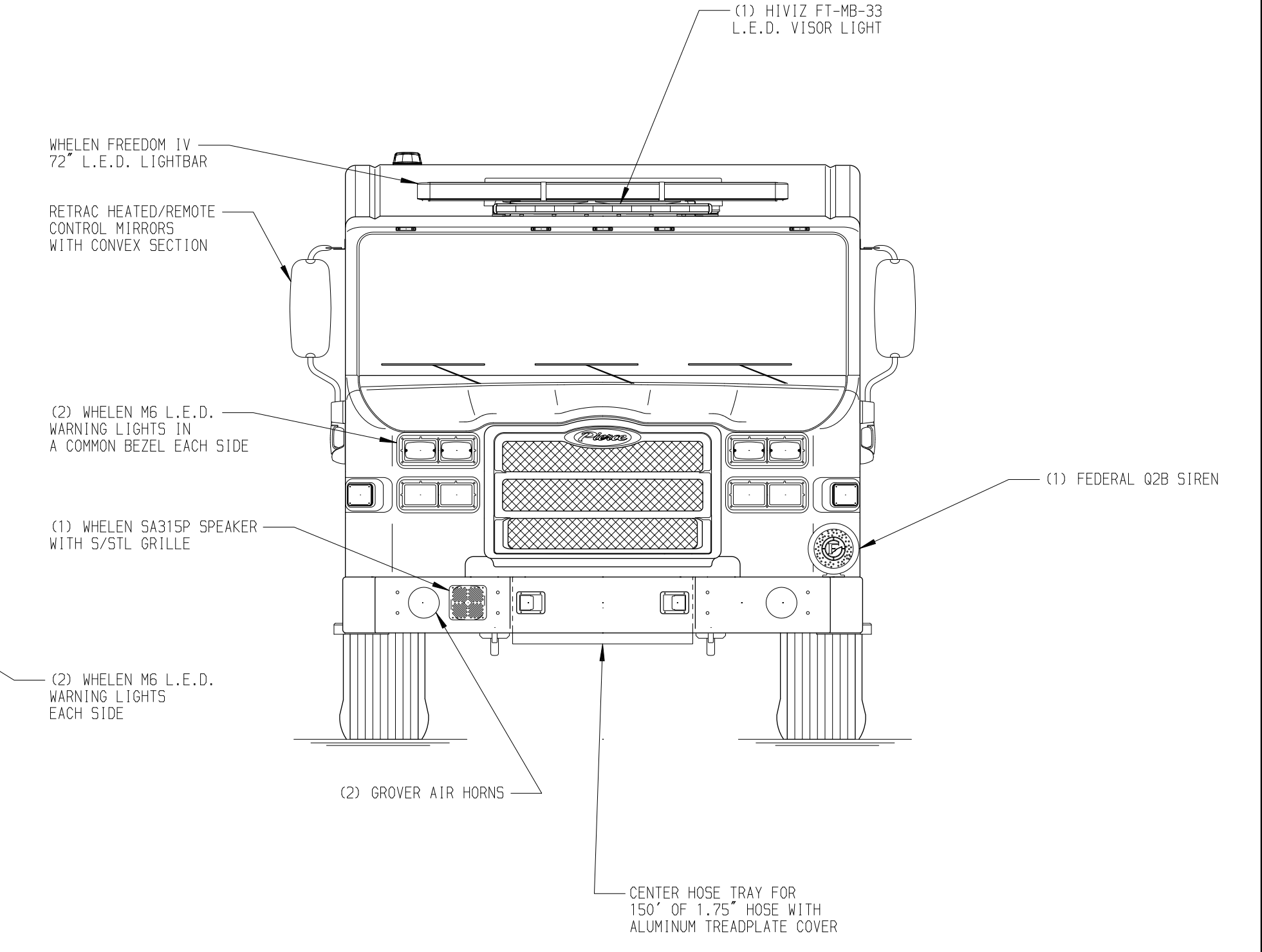
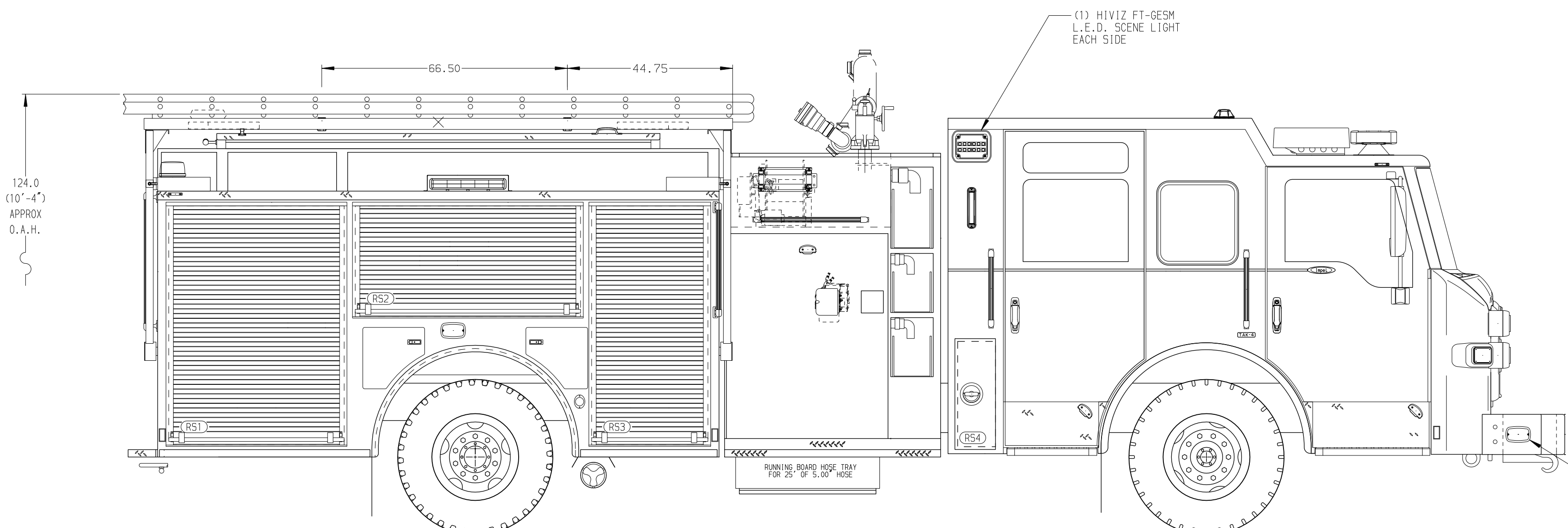
20 Gallon Foam Cell, Not Reduced Water

Side Roll and Frontal Impact Protection

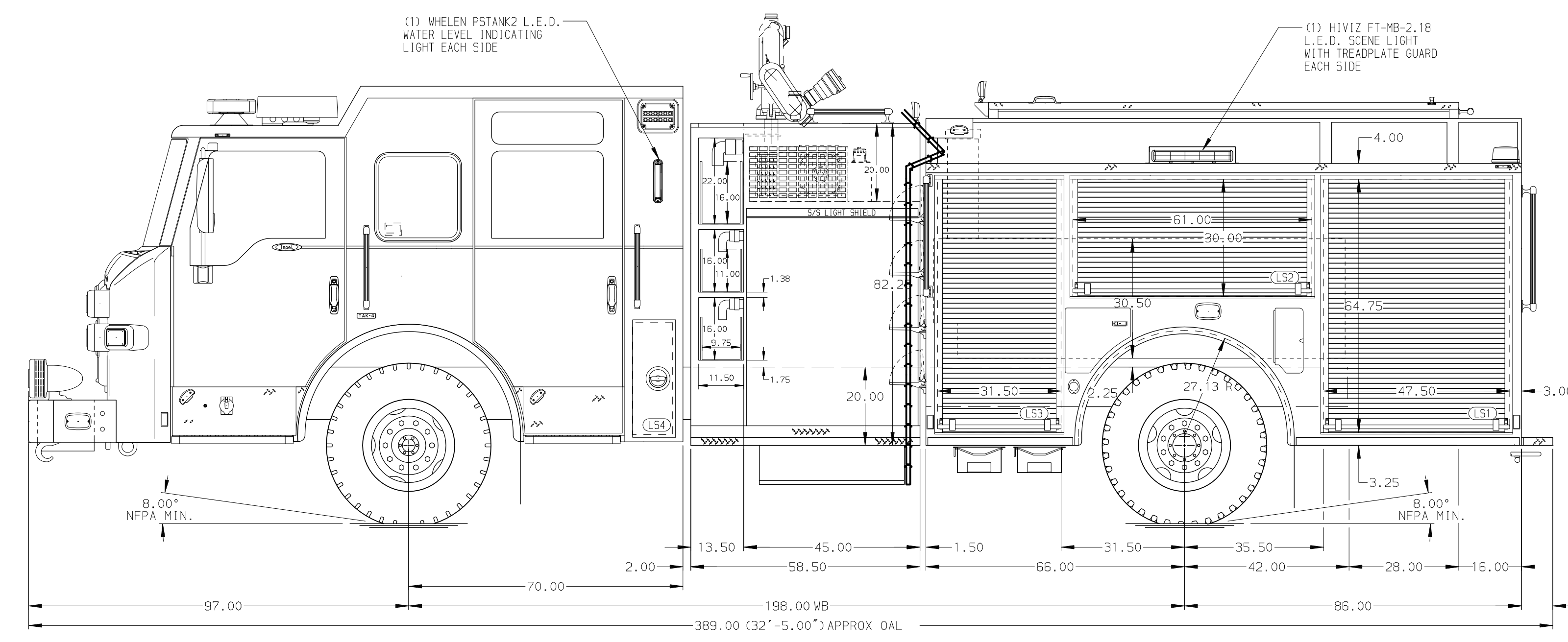
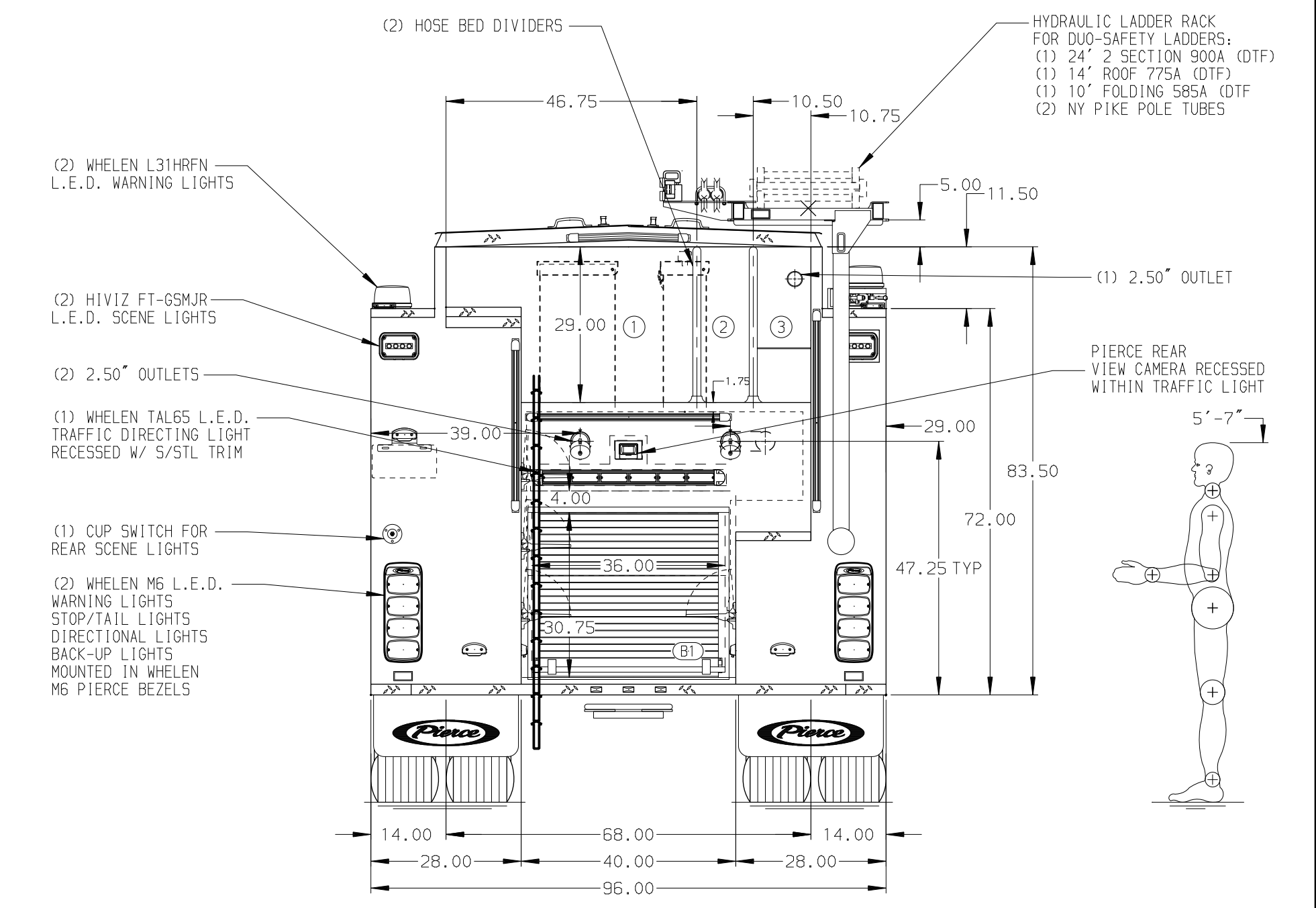
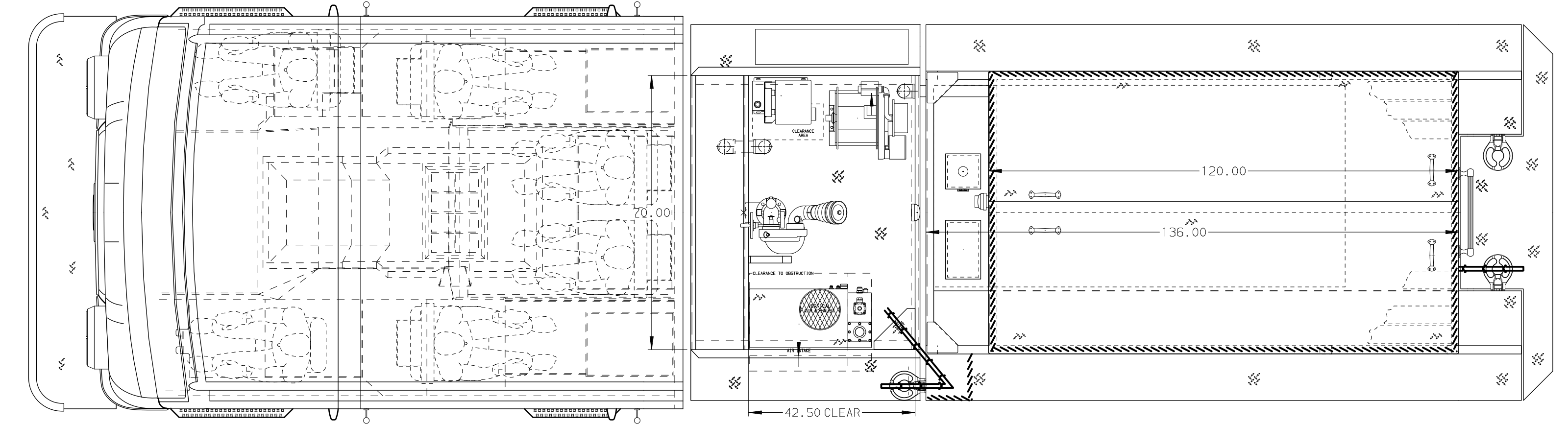
**NOTE**  
DIMENSIONS SHOWN ARE APPROXIMATE AND ARE SUBJECT TO MINOR DEVIATIONS AS MAY OCCUR OR BE NECESSARY IN CONSTRUCTION. MINOR DETAILS NOT SHOWN.

- ONE 1.50" OUTLET WITH 2.00" PIPING AND SWIVEL LOCATED IN CENTER BUMPER TRAY
- SHORELINE RECEPTACLE LOCATED IN THE DRIVER SIDE STEPWELL
- AIR INLET WITH DISCONNECT COUPLING IN THE DRIVER SIDE STEPWELL
- BATTERY CHARGER LOCATED BEHIND DRIVER'S SEAT
- BATTERY CHARGE INDICATOR LOCATED ON DRIVER SIDE OF CAB THROUGH WINDOW
- FIVE ADJUSTABLE SHELVES LOCATED PER SHOP ORDER
- TWO FLOOR MOUNTED SLIDE-OUT TRAYS LOCATED PER SHOP ORDER
- ONE TILTING/SLIDE-OUT TRAY LOCATED PER SHOP ORDER
- THREE SLIDE-OUT TOOLBOARDS LOCATED PER SHOP ORDER
- ONE ZICO SCBA BRACKET LOCATED PER SHOP ORDER

- CTECH FOUR DRAWER ASSEMBLY LOCATED PER SHOP ORDER
- CIRCUIT BREAKER PANEL LOCATED PER SHOP ORDER
- TWO 120V 6-PLACE RECEPTACLE STRIPS LOCATED PER SHOP ORDER
- TWO 120V 4-PLACE RECEPTACLE LOCATED PER SHOP ORDER
- HANNAY CORD REEL MODEL 1618-17-18 LOCATED IN CARGO AREA WITH 200' OF 10/3 CABLE



HOSEBED CAPACITY	
<b>BED 1</b>	800' OF 5.00" D.J. POLY HOSE
<b>BED 2</b>	500' OF 2.50" D.J. POLY HOSE
<b>BED 3</b>	200' OF 2.50" D.J. POLY HOSE



		JOB NO.	36297
		SCALE	DATE
<b>Pierce MANUFACTURING INC.</b>		TITLE	Pierce Pumper Approval Drawing
		FOR	Columbia Heights Fire Department
<b>36297AD</b>		DRAWN BY	MMF
		CHECKED BY	COL
<b>36297AD</b>		SHEET SIZE	D
		SHEET NO.	1 OF 1

REV	DATE	BY	CH	IMPEL
22JUL21	MMF	JGO		
09JUN21	MMF	JGO		