

**PUMPER
BODY**

Long Aluminum 2nd Gen Pumper

CHASSIS
Enforcer Chassis

**CHASSIS
AXLE, FRONT, CUSTOM**
20,000 Lb Dana Axle

AXLE, REAR
24,000 Lb Meritor Axle

ENGINE
450 HP Cummins L9 Engine

TRANSMISSION
Allison 5th Gen, 3000 EVS P

BUMPER
26" Extended Stainless Steel

CAB
7010 Enforcer Cab

**BODY
WATER TANK**
750 Gallon New York Style Water Tank

COMPT, PUMPER, REAR
30.75" FF RollUp Rear Compt

COMPT, PUMPER, LEFT SIDE
161" RollUp Full Height Front & Rear FDLER

COMPT, PUMPER, RIGHT SIDE
161" RollUp Low FDLER

**FIRE SUPPRESSION
PUMPHOUSE**

45" Control Zone Side Mount

PUMP

1500 GPM Waterous CSU

CROSSLAYS, 1.50"
1.50" Crosslays Not Required

CROSSLAYS, 2.50"
2.50" Crosslay Not Required

SPEEDLAYS
Speedlays Not Required

GENERATOR
Generator Not Required

Foam System
Foam System Not Required

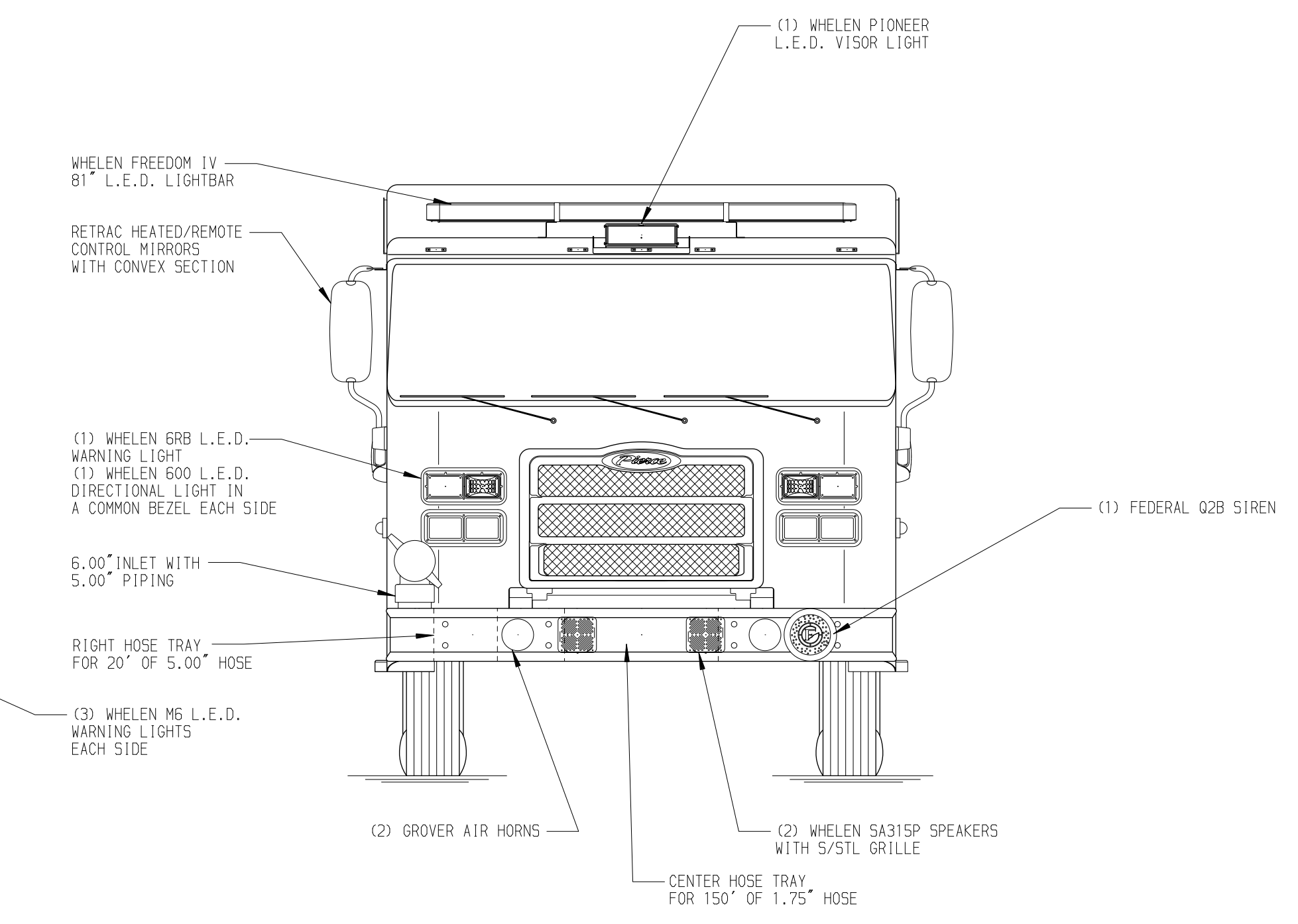
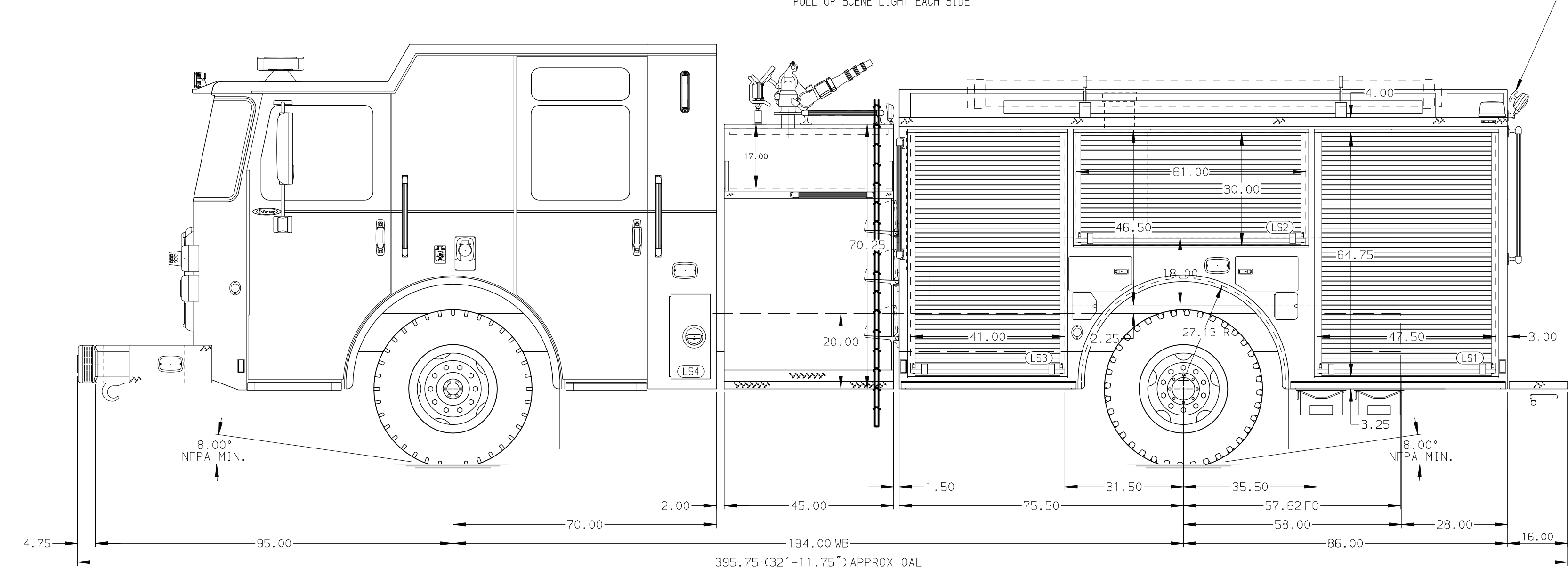
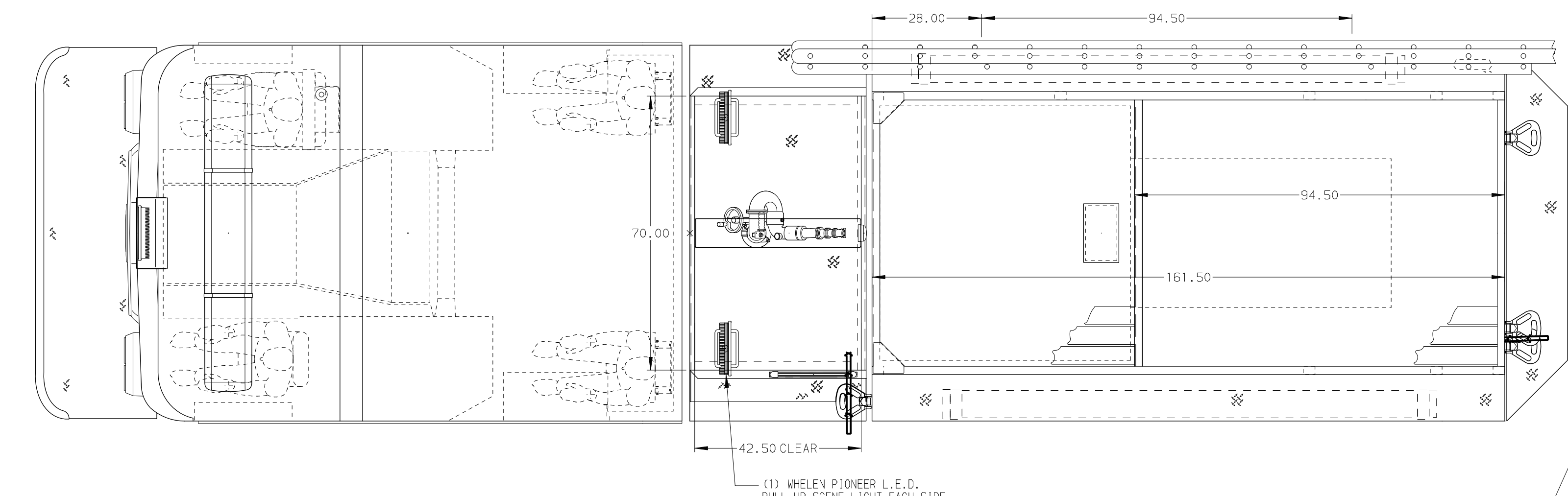
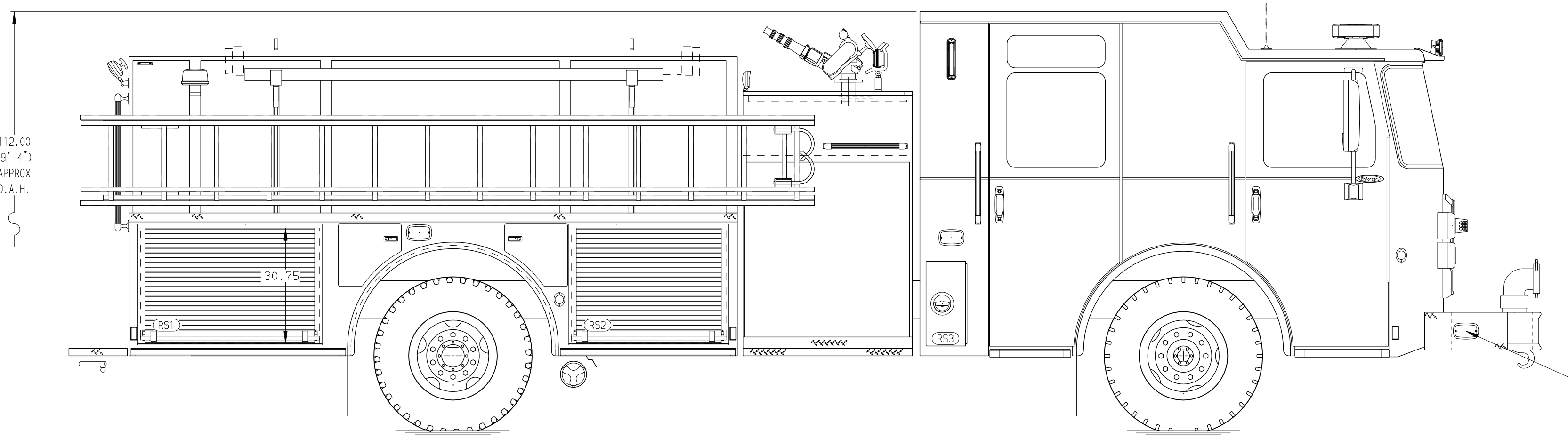
Foam Cell
Foam Cell Not Required

Side Roll and Frontal Impact Protection

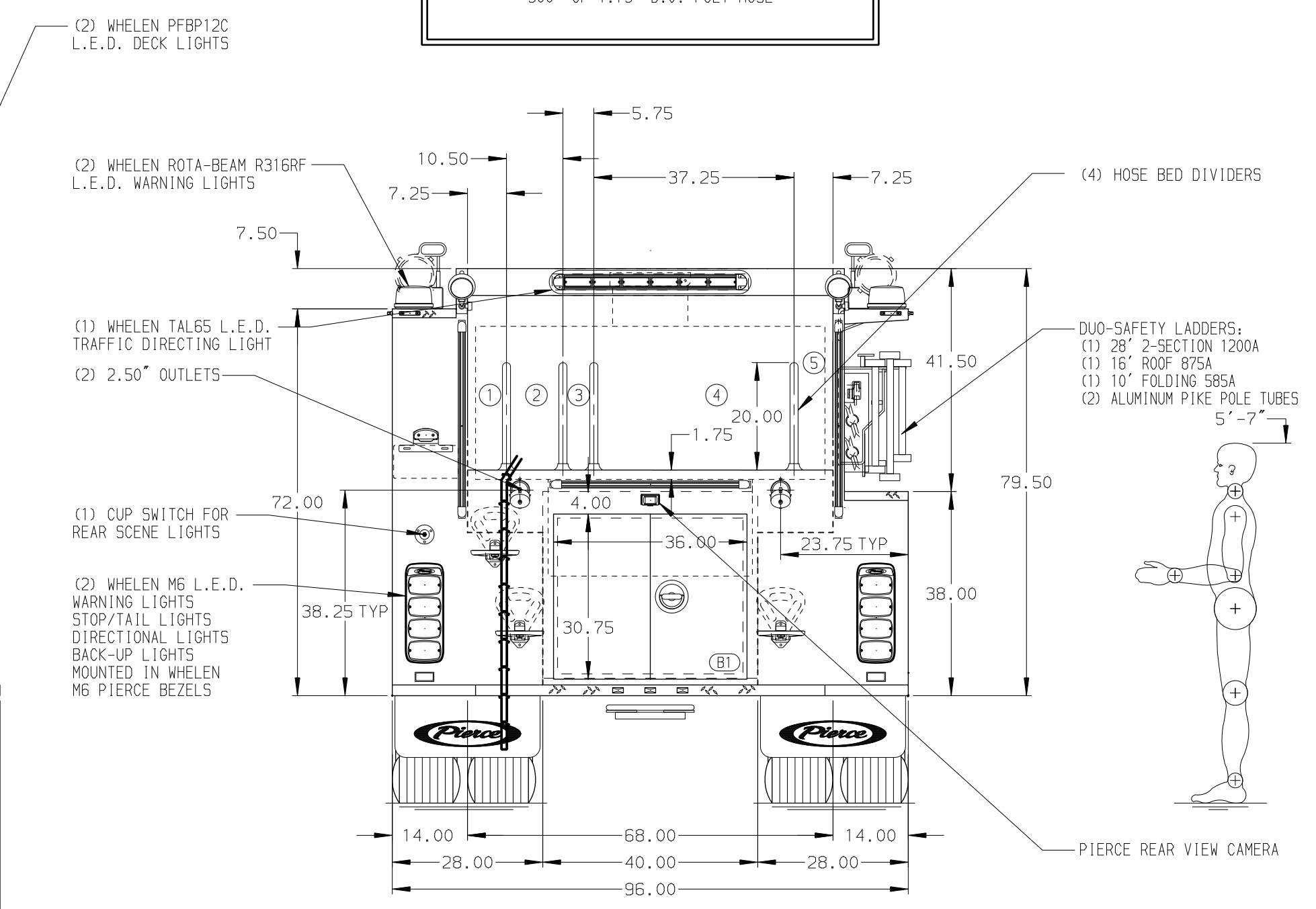
NOTE
DIMENSIONS SHOWN ARE APPROXIMATE AND ARE SUBJECT TO MINOR DEVIATIONS AS MAY OCCUR OR BE NECESSARY IN CONSTRUCTION. MINOR DETAILS NOT SHOWN.

- ONE 1.50" OUTLET WITH 2.00" PIPING AND SWIVEL LOCATED IN CENTER BUMPER TRAY OF THE CAB
- SHORELINE RECEPTACLE WITH KUSSMAUL SUPER AUTO-EJECT LOCATED ON DRIVER SIDE OF THE CAB
- AIR INLET WITH DISCONNECT COUPLING IN THE DRIVER SIDE STEPWELL
- BATTERY CHARGER LOCATED IN COMPARTMENT PER SHOP ORDER
- BATTERY CHARGE INDICATOR LOCATED ON THE DRIVER SIDE SEAT RISER
- FIVE ADJUSTABLE SHELVES IN COMPARTMENTS PER SHOP ORDER
- PAC TRAC ON WALLS IN COMPARTMENT PER SHOP ORDER
- PARTITION IN COMPARTMENT PER SHOP ORDER

112.00
(9'-4")
APPROX
O.A.H.



HOSEBED CAPACITY	
BED 1	300' OF 1.75" D.J. POLY HOSE
BED 2	300' OF 2.50" D.J. POLY HOSE
BED 3	100' OF 2.00" D.J. POLY HOSE
BED 4	750' OF 5.00" D.J. POLY HOSE
BED 5	300' OF 1.75" D.J. POLY HOSE



REV	DATE	BY	CH	ENFORCER
30JUL21	MMF	COL		
23JUN21	MMF	COL		

	TITLE	Pierce Pumper Approval Drawing	JOB NO.	36255
	MAKE		SCALE	1:24
	FOR	Westfield Fire Department	DATE	
	DWG NO.	36255AD	CHECKED BY	COL
			SHEET SIZE	D
			SHEET NO.	1 OF 1