

PUMPER BODY

Medium Aluminum 2nd Gen Pumper

CHASSIS

Enforcer Chassis

CHASSIS AXLE, FRONT, CUSTOM

20,000 Lb Dana Axle

AXLE, REAR

27,000 Lb Dana Axle

ENGINE

525 HP DD13 Engine

TRANSMISSION

Allison 5th Gen, 4000 EVS P

BUMPER

26" Extended Pointed Underlung

CAB

7010 Enforcer Cab

BODY

WATER TANK

750 Gallon Poly Water Tank

COMPT, PUMPER, REAR

44.50" FF Lap Rear Compt

COMPT, PUMPER, LEFT SIDE

152" RollUp Full Height & Depth Front & Rear

COMPT, PUMPER, RIGHT SIDE

152" RollUp Full Height & Depth Front & Rear

FIRE SUPPRESSION PUMPHOUSE

52" Control Zone Top Mount

PUMP

1500 GPM Waterous CSU

CROSSLAYS, 1.50"

(2) 1.50" Crosslays Standard Capacity

CROSSLAYS, 2.50"

(1) 2.50" Standard Capacity

SPEEDLAYS

1.50" Not Required

GENERATOR

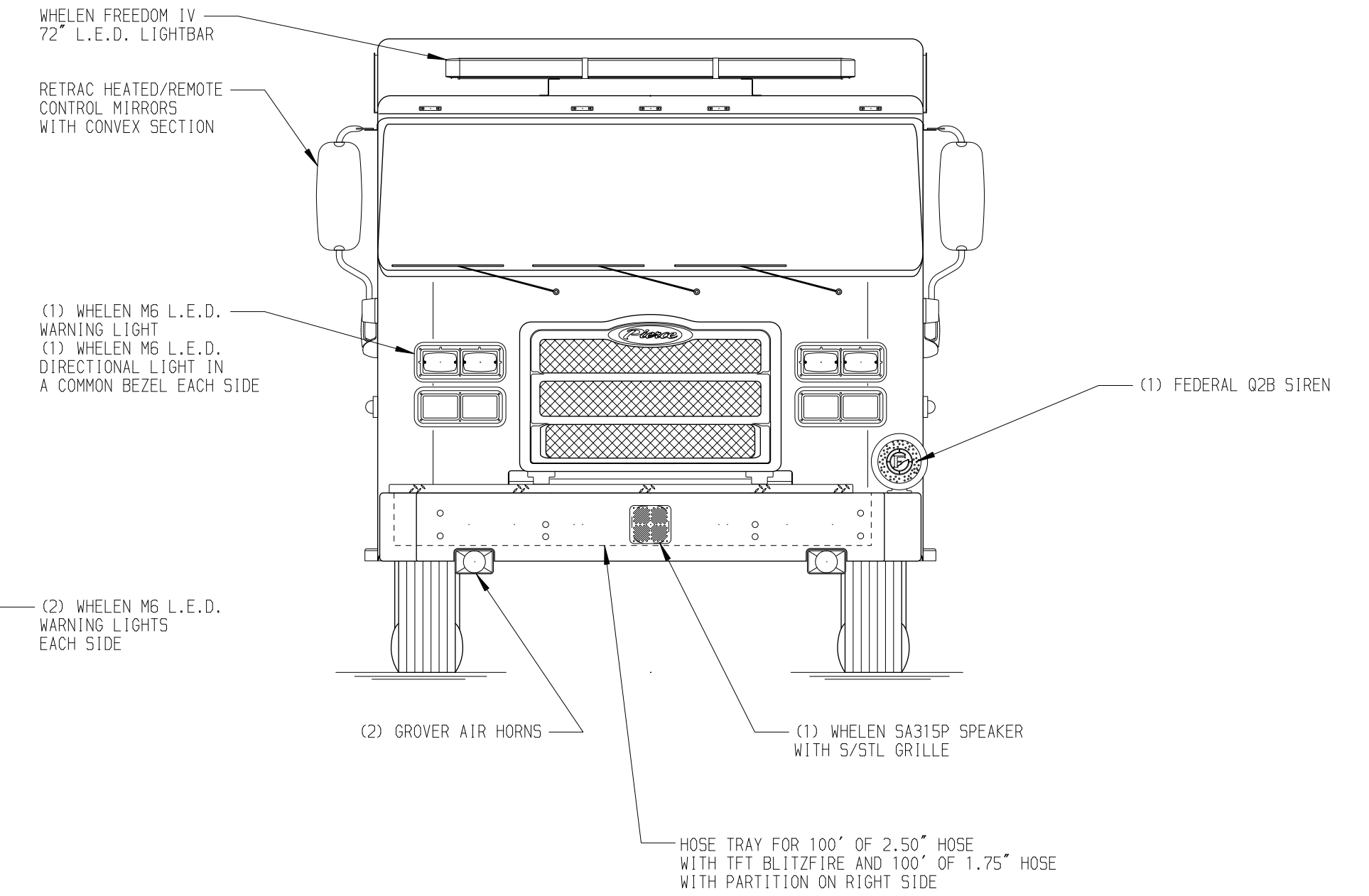
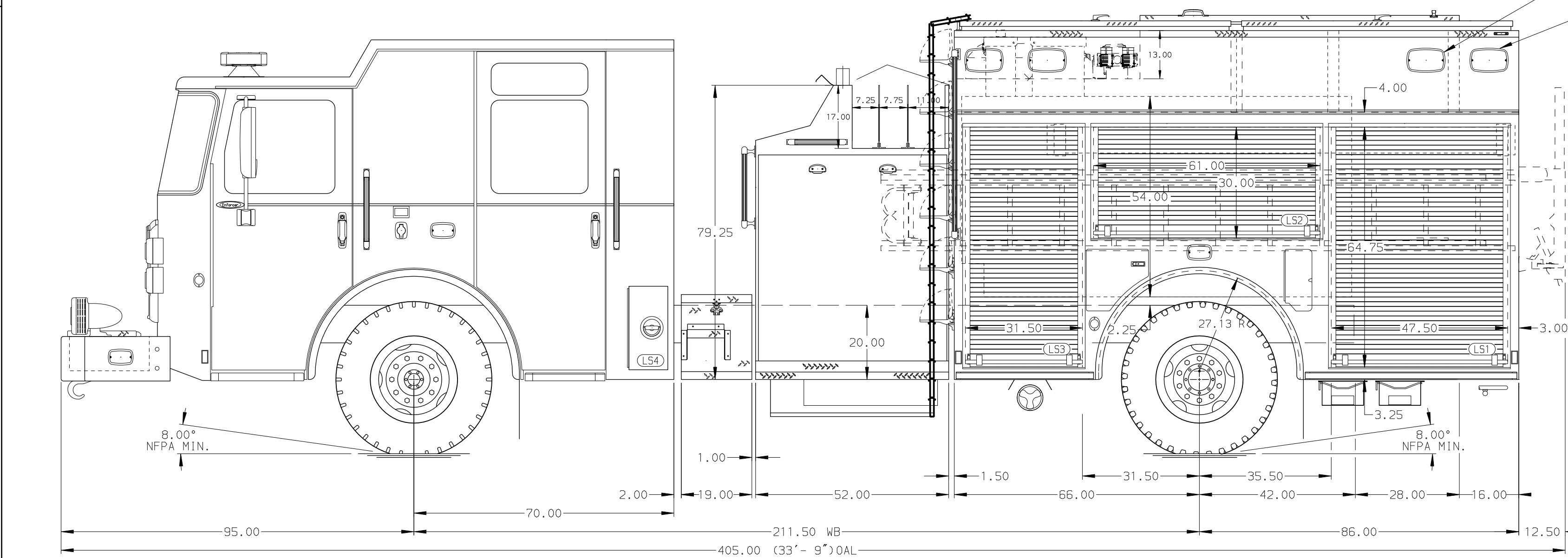
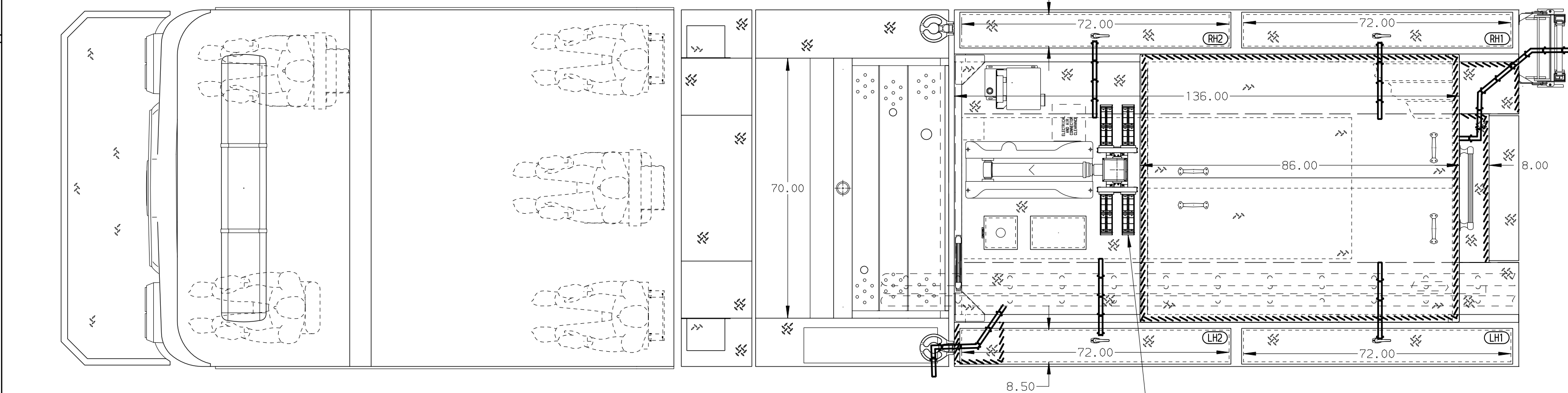
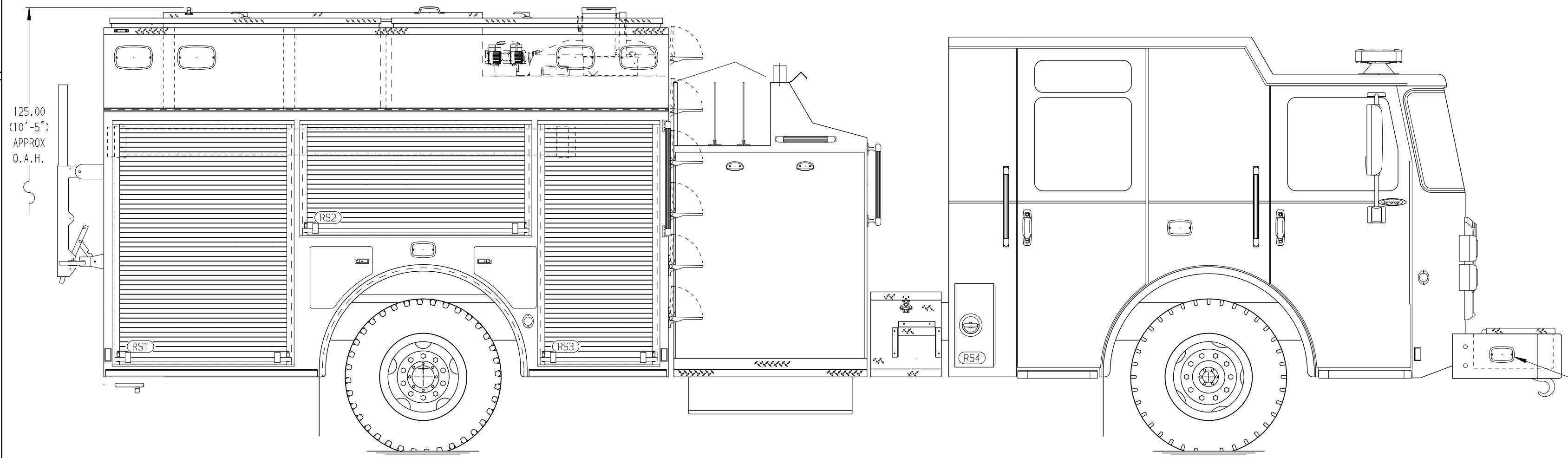
Generator Not Required

Foam System

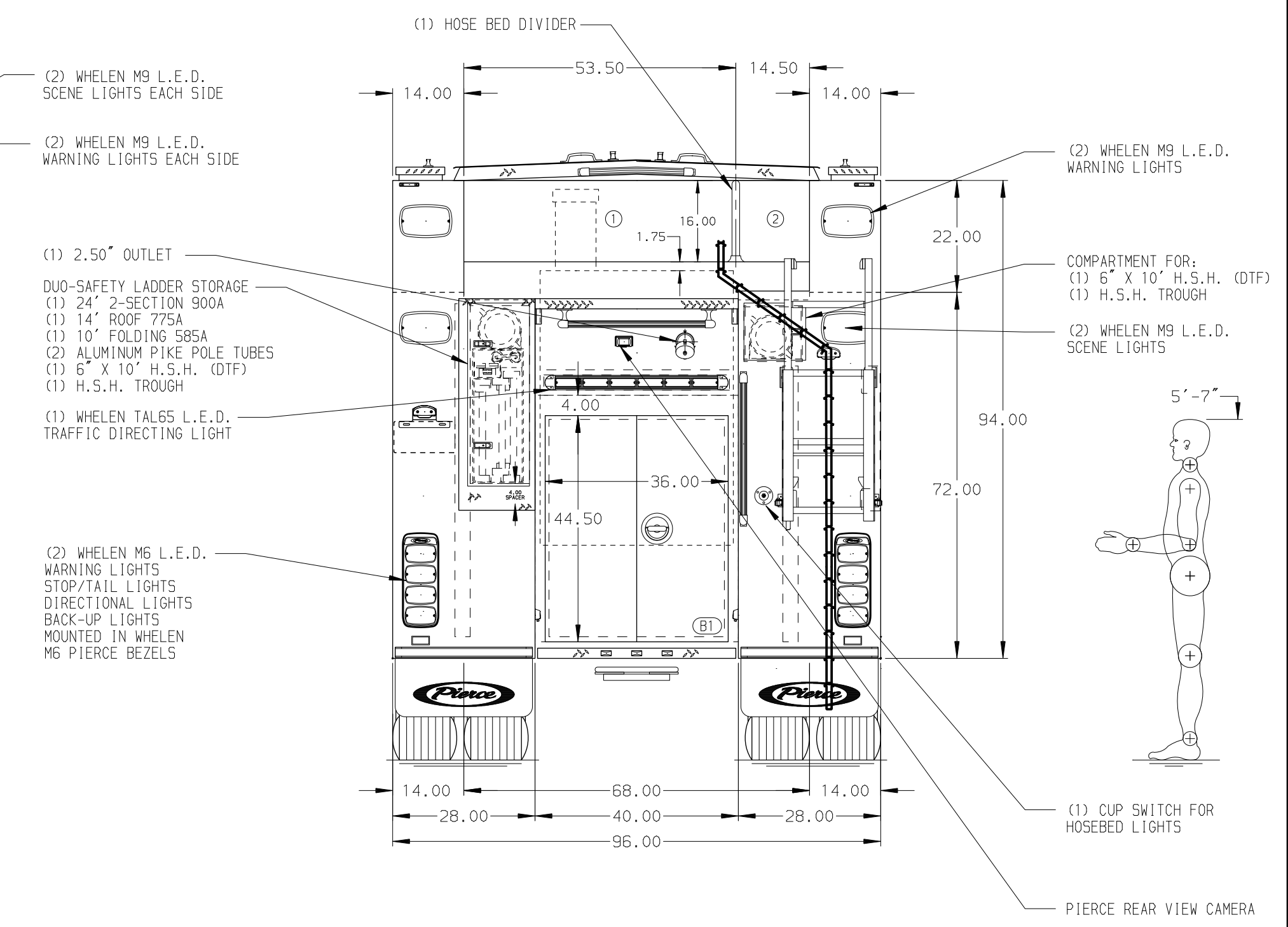
Husky 3 Single Agent Foam System

Foam Cell

30 Gallon Foam Cell, Not Reduced Water



HOSEBED CAPACITY	
BED 1	1000' OF 4.00" D.J. POLY HOSE
BED 2	300' OF 2.50" D.J. POLY HOSE



NOTE
 DIMENSIONS SHOWN ARE APPROXIMATE AND ARE SUBJECT TO MINOR DEVIATIONS AS MAY OCCUR OR BE NECESSARY IN CONSTRUCTION. MINOR DETAILS NOT SHOWN.

- ONE 1.50 OUTLET WITH 2.00 PIPING AND SMIVEL LOCATED IN BUMPER TRAY
- SHORELINE RECEPTACLE WITH KUSSMAUL SUPER AUTO-EJECT LOCATED ON DRIVER SIDE OF THE CAB
- AIR INLET WITH DISCONNECT COUPLING IN THE DRIVER SIDE STEPWELL
- BATTERY CHARGER LOCATED IN COMPARTMENT PER SHOP ORDER
- BATTERY CHARGE INDICATOR LOCATED ON THE DRIVER SIDE SEAT RISER
- SEVEN ADJUSTABLE SHELVES IN COMPARTMENTS PER SHOP ORDER
- THREE FLOOR MOUNTED SLIDE-OUT TRAY IN COMPARTMENT PER SHOP ORDER
- ONE CITECH FOUR DRAWER ASSEMBLY LOCATED IN COMPARTMENT PER SHOP ORDER
- ONE SWING-OUT TOOLBOARD LOCATED IN COMPARTMENT PER SHOP ORDER
- TWO SLIDE-OUT TOOLBOARDS LOCATED IN COMPARTMENT PER SHOP ORDER
- TWO PARTITIONS IN TRANS COMPARTMENT PER SHOP ORDER

REV	DATE	BY	CH	ENFORCER
30JUL21	MMF	ZWE		
16JUN21	MMF	ZWE		

Pierce MANUFACTURING INC.		JOB NO.	36209
TITLE		Pierce Pumper Approval Drawing	SCALE
DATA			1:24
MAKE			DATE
PIERCE			
FOR		Golden Fire Department	DRAWN BY
DWG NO.		36209AD	MMF
			19APR21
			CHECKED BY
			COL
			20APR21
			SHEET SIZE
			D
			SHEET NO.
			1 OF 1