

**PUMPER
BODY**

Long Aluminum 2nd Gen Pumper

CHASSIS
Enforcer Chassis

**CHASSIS
AXLE, FRONT, CUSTOM**
22,800 Lb TAK-4 Axle

AXLE, REAR
31,000 Lb Dana Axle

ENGINE
450 HP Cummins L9 Engine

TRANSMISSION
Allison 5th Gen, 3000 EVS P

BUMPER
22" Extended Painted Steel

CAB
6010 Enforcer Cab

**BODY
WATER TANK**

1000 Gallon New York Style Water Tank

COMPT, PUMPER, REAR
37.75" FF RollUp Rear Compt

COMPT, PUMPER, LEFT SIDE
161" Lap Full Height & Depth Front & Rear

COMPT, PUMPER, RIGHT SIDE
161" Lap Full Height Front & Rear FOLER

**FIRE SUPPRESSION
PUMPHOUSE**

45" Control Zone Side Mount

PUMP

2000 GPM Waterous CSU

CROSSLAYS, 1.50"
1.50" Crosslays Not Required

CROSSLAYS, 2.50"
2.50" Crosslay Not Required

SPEEDLAYS

(2) 1.50" W/Tray Std. Capacity

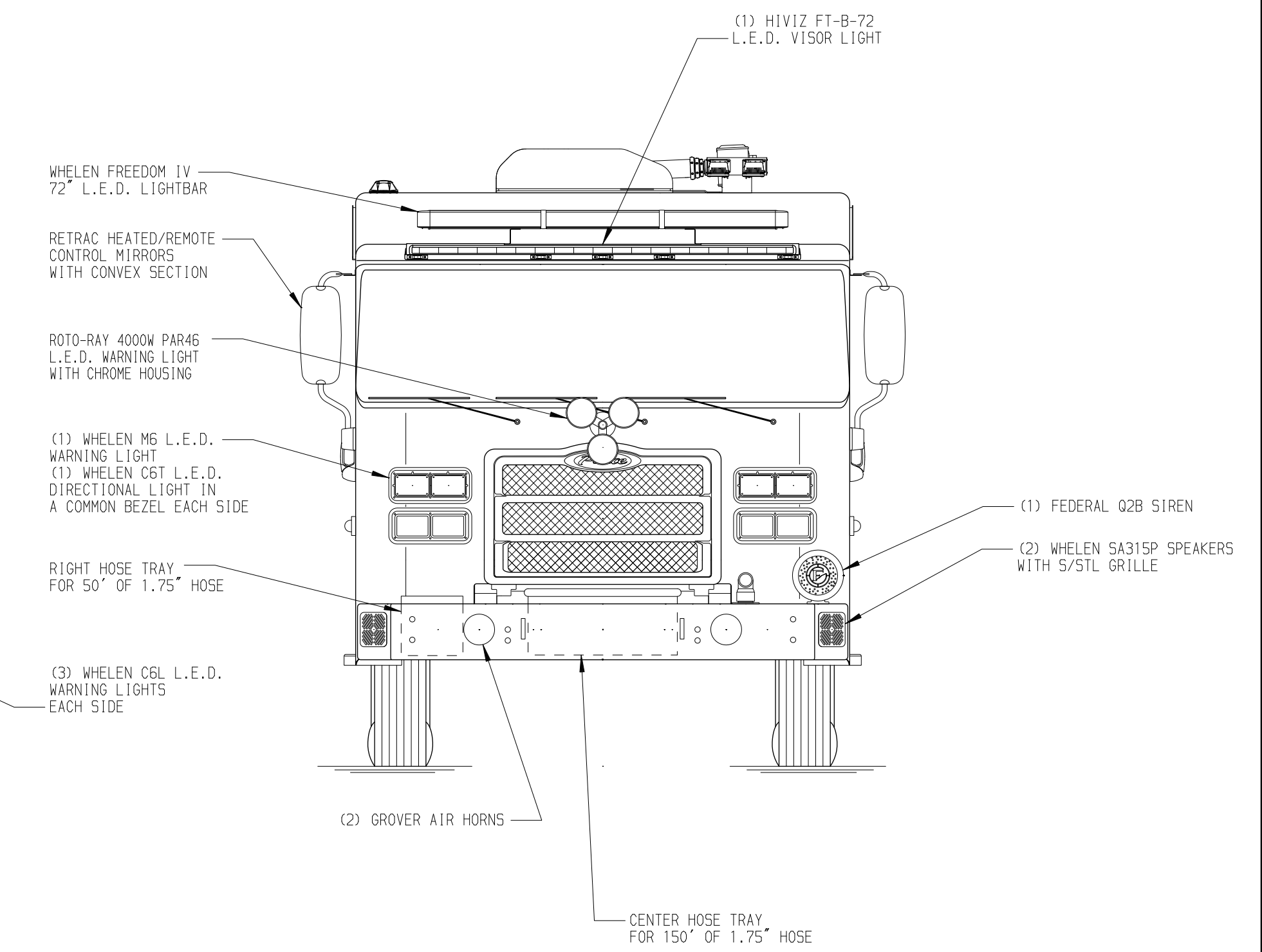
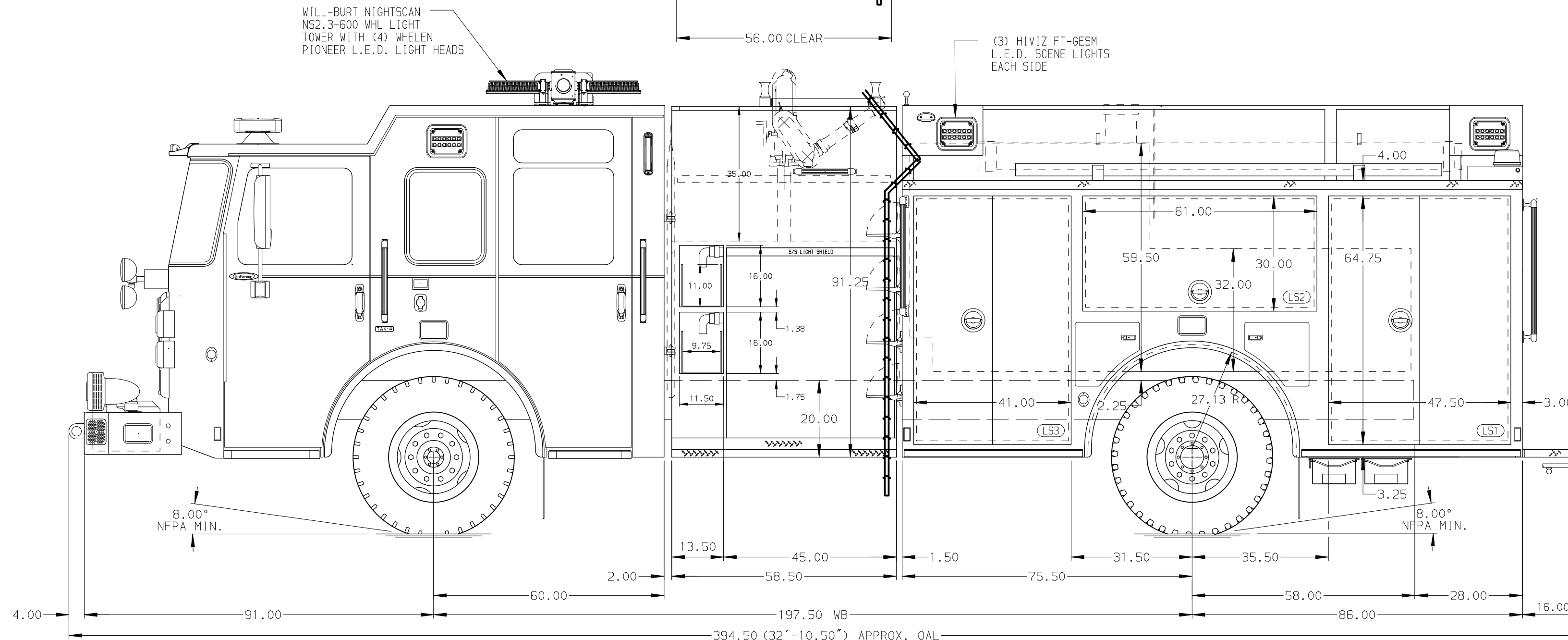
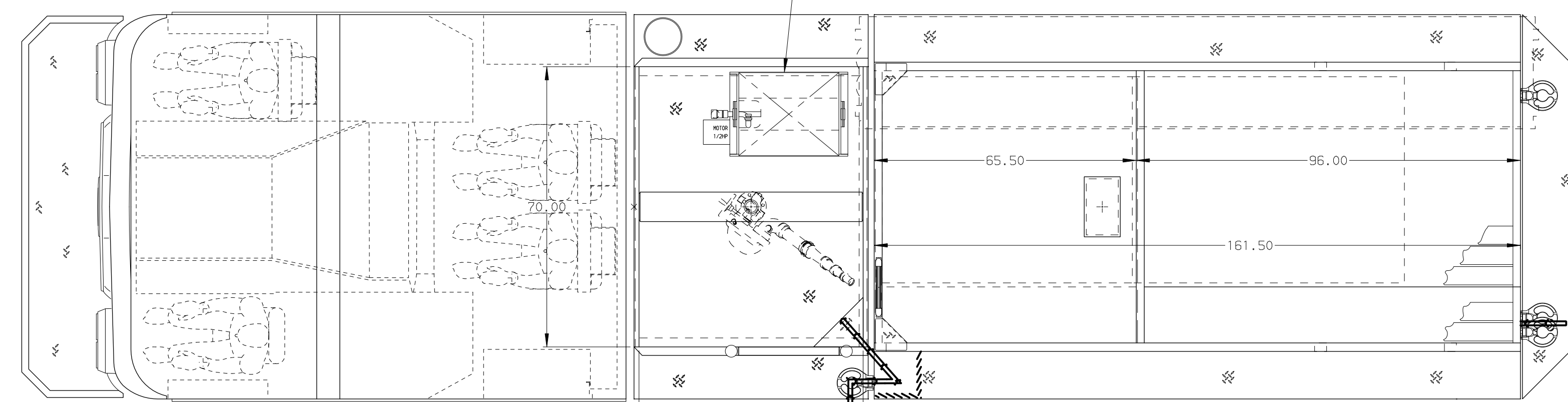
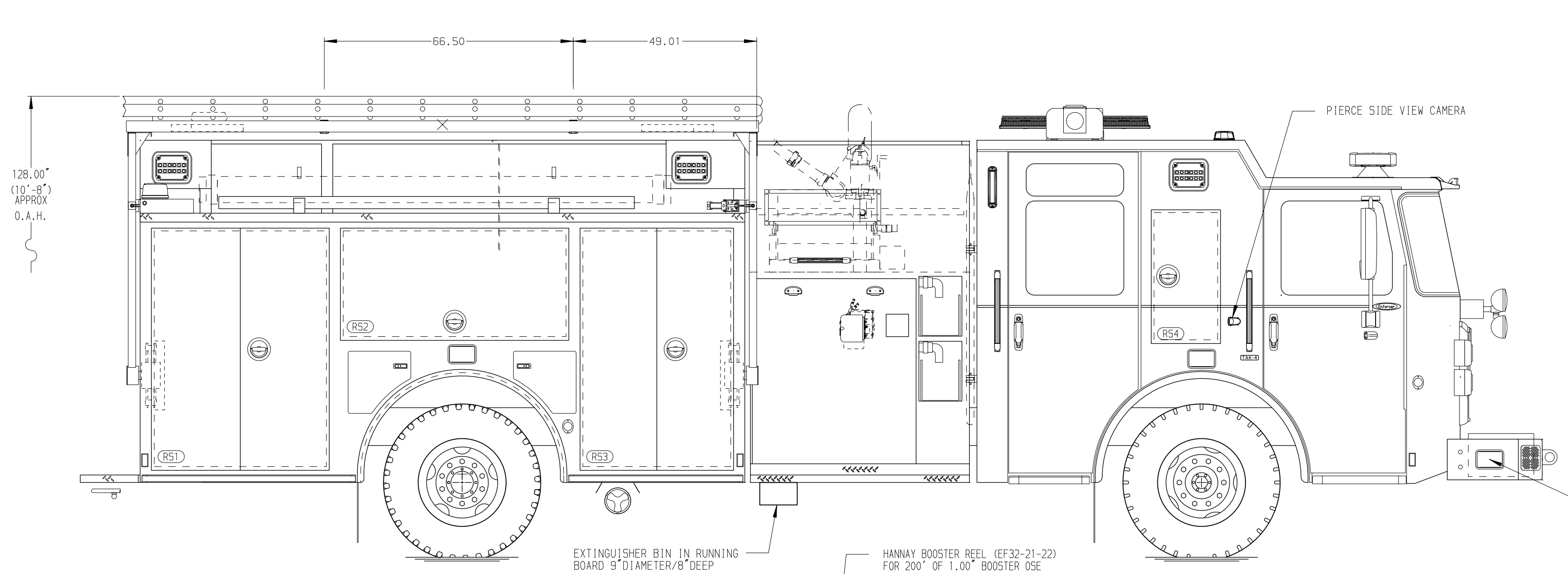
GENERATOR

Generator Not Required

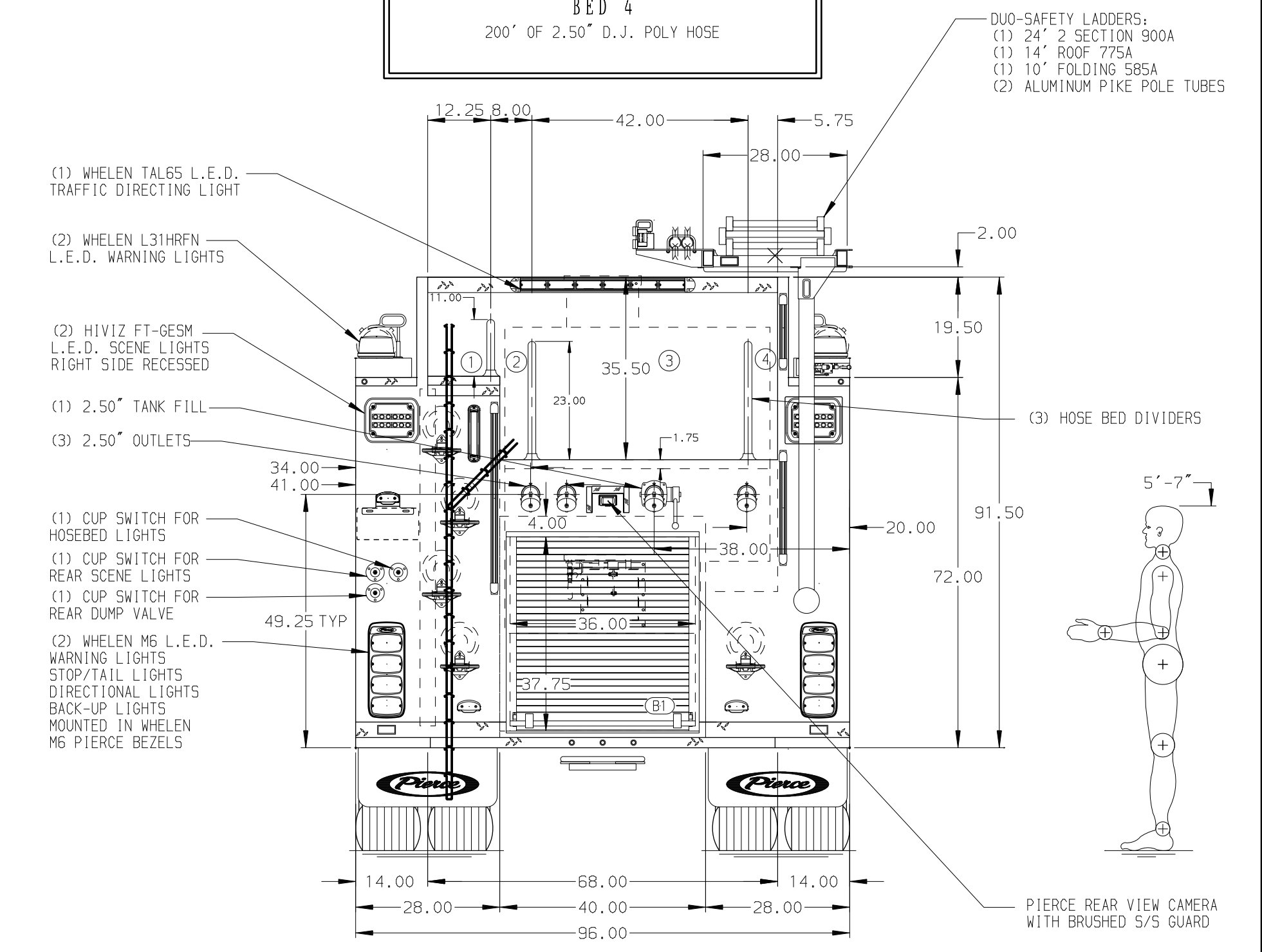
Foam System
Foam System Not Required

Foam Cell
Foam Cell Not Required

Side Roll and Frontal Impact Protection



HOSEBED CAPACITY	
BED 1	300' OF 1.75" D.J. POLY HOSE
BED 2	200' OF 2.50" D.J. POLY HOSE
BED 3	1000' OF 5.00" D.J. POLY HOSE
BED 4	200' OF 2.50" D.J. POLY HOSE



NOTE
DIMENSIONS SHOWN ARE APPROXIMATE AND ARE SUBJECT TO MINOR DEVIATIONS AS MAY OCCUR OR BE NECESSARY IN CONSTRUCTION. MINOR DETAILS NOT SHOWN.

- SHORELINE RECEPTACLE WITH KUSSMAUL SUPER AUTO-EJECT LOCATED ON DRIVER SIDE OF THE CAB
- AIR INLET WITH DISCONNECT COUPLING IN THE DRIVER SIDE STEPWELL
- BATTERY CHARGER LOCATED IN COMPARTMENT PER SHOP ORDER
- BATTERY CHARGE INDICATOR LOCATED ON THE DRIVER SIDE OF CAB
- FOUR ADJUSTABLE SHELVES IN COMPARTMENTS PER SHOP ORDER
- THREE FLOOR MOUNTED SLIDE-OUT TRAY IN COMPARTMENT PER SHOP ORDER
- ONE FILL/SIDE-OUT TRAY LOCATED IN COMPARTMENT PER SHOP ORDER
- ONE SLIDE-OUT TOOLBOARD LOCATED IN COMPARTMENT PER SHOP ORDER
- TWO SWING-OUT TOOLBOARDS LOCATED IN COMPARTMENT PER SHOP ORDER
- ONE VERTICAL PARTITION LOCATED IN COMPARTMENT PER SHOP ORDER

REV	DATE	BY	CH	ENFORCER
16JUL21	MMF	JGO		
26MAY21	MMF	JGO		

		JOB NO.	36167
		SCALE	DATE
TITLE	Pierce Pumper Approval Drawing	DRAWN BY	MMF
FOR	Bethlehem Fire Department	CHECKED BY	COL
DWG NO.	36167AD	SHEET SIZE	SHEET NO.
		D	1 OF 1