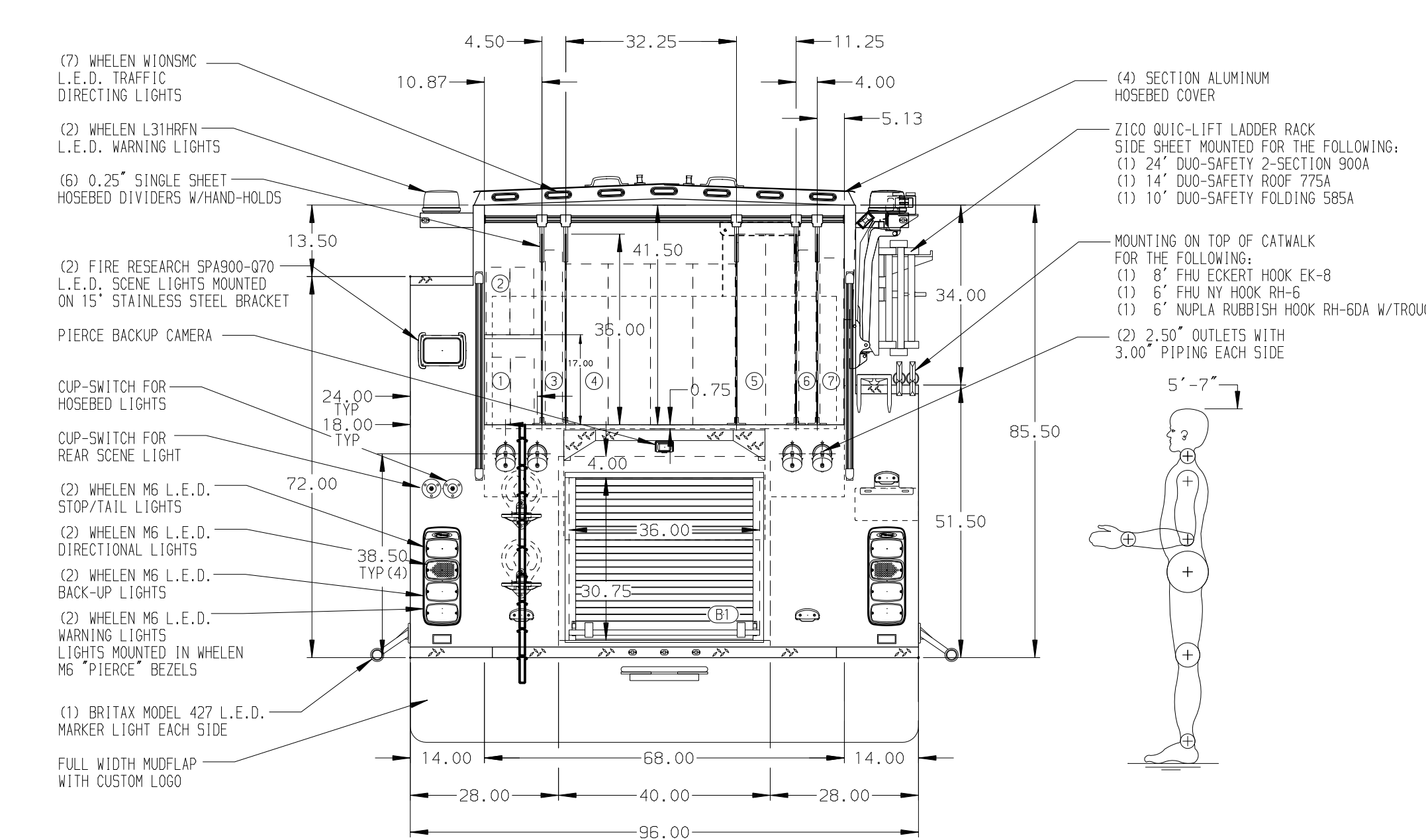


- HOSEBED CAPACITIES**
- ① - 200' OF 2.50" HOSE
 - ② - 200' OF 2.50" HOSE
 - ③ - 300' OF 1.75" HOSE
 - ④ - 1000' OF 5.00" HOSE
 - ⑤ - 550' OF 3.00" HOSE
 - ⑥ - 300' OF 1.75" HOSE
 - ⑦ - 250' OF 2.50" HOSE



ALUMINUM BODY

SIDE ROLL AND FRONTAL IMPACT PROTECTION

NOTE
DIMENSIONS SHOWN ARE APPROXIMATE AND ARE SUBJECT TO MINOR DEVIATIONS AS MAY OCCUR OR BE NECESSARY IN CONSTRUCTION. MINOR DETAILS NOT SHOWN.

1. BATTERY CHARGER LOCATED IN CAB EMS COMPARTMENT
2. BATTERY CHARGER INDICATOR LOCATED AT DRIVER'S SIDE STEP AREA
3. DRIP PAN GUARD ON ALL ROLL-UP DOOR COMPARTMENTS
4. ONE FULL WIDTH/DEPTH ADJUSTABLE SHELF IN COMPARTMENT L53, R51, AND R53; TWO IN L51
5. ONE SLIDE-OUT ADJUSTABLE HEIGHT TRAY W/SPECIAL SIDE HEIGHT TRAY IN COMPARTMENT L53
6. ONE FLOOR MOUNTED 1-WAY SLIDE-OUT TRAY WITH 2" SIDES (1/2 DEPTH OF TRANSVERSE) IN COMPARTMENT L54 & R54
7. ONE FLOOR MOUNTED SLIDE-OUT TRAY IN COMPARTMENT L51, L53, R51, R53, AND R51
8. ONE ALUMINUM SWING-OUT TOOL BOARD WITH PEGBOARD PATTERN IN COMPARTMENT L52
9. ONE ALUMINUM TOOLBOARD ADDED TO SLIDE OUT TRAY IN COMPARTMENT L54 AND R54
10. ALUMINUM PEGBOARD WITH TRACKS ON THE BACK WALL OF COMPARTMENT L52 AND L53
11. ALUMINUM PEGBOARD WITH TRACKS ON THE SIDE WALLS OF COMPARTMENT L53
12. FLOOR EXTENSION WITH 1.00" UPTURNED LIP IN COMPARTMENT L54 & R54
13. CIRCUIT BREAKER PANEL IN COMPARTMENT L53
14. CIRCUIT BREAKER BOX IN COMPARTMENT L53
15. SUB-FEED CIRCUIT BREAKER PANEL IN COMPARTMENT L53
16. ONE 15/20A 120V RECEPTACLE IN COMPARTMENT R51 AND EMS CABINET

REV	DATE	BY	CH	VELOCITY
1	21JUN21	SAM	NPE	
2	11JUN21	SAM	NPE	
3	21MAY21	SAM	NPE	
4	25FEB21	SAM	NPE	

		JOB NO.	36162
		SCALE	1:24
TITLE 1500-D-780P, 750G WATER W/30G FOAM, 161" PUMPER BODY (2) XLAYS, DELUGE, BOOSTER REEL, ENG COMPT, MACH 8 AC		DATE	
		DRAWN BY	SAM
FOR GEORGETOWN FIRE DEPARTMENT GEORGETOWN, TEXAS		CHECKED BY	NPE
		DATE	18FEB21
DWG NO. 36162AD		SHEET SIZE	D
		SHEET NO.	1 OF 1