

Pumper, PUC BODY

Pumper, PUC, Aluminum

CHASSIS

Enforcer Chassis, PUC

CHASSIS AXLE, FRONT, CUSTOM

18,000 Lb Meritor Axle

AXLE, REAR

27,000 Lb Meritor Axle

ENGINE

450 HP Cummins L9 Engine

TRANSMISSION

Allison 5th Gen, 3000 EVS P

BUMPER

19" Extended Underslung Steel

CAB

7010 Enforcer Cab, PUC

BODY

WATER TANK

750 Gallon Poly Water Tank

COMPT, PUMPER, REAR

40.50" FF RollUp Rear Compt w/Tailboard, PUC

COMPT, PUMPER, LEFT SIDE

177" RollUp Full Height & Depth Front & Rear, PUC

COMPT, PUMPER, RIGHT SIDE

177" RollUp Full Height & Depth Front & Rear, PUC

FIRE SUPPRESSION PUMPHOUSE

Control Zone, PUC

PUMP

1500 GPM Pierce PUC

CROSSLAYS, 1.50"

(2) 1.50", Poly Trays, 200"

CROSSLAYS, 2.50"

2.50" CrossLays Not Required

GENERATOR

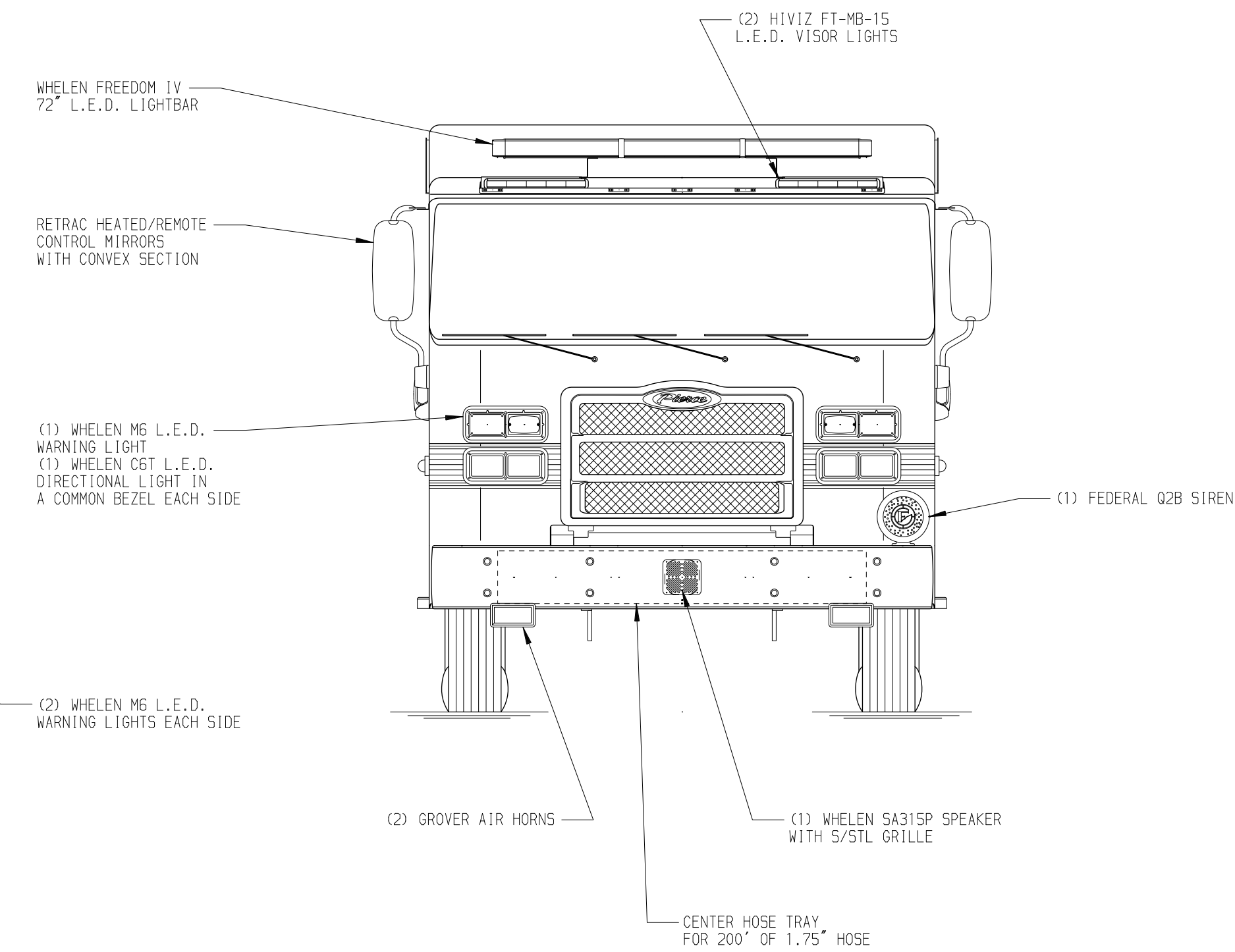
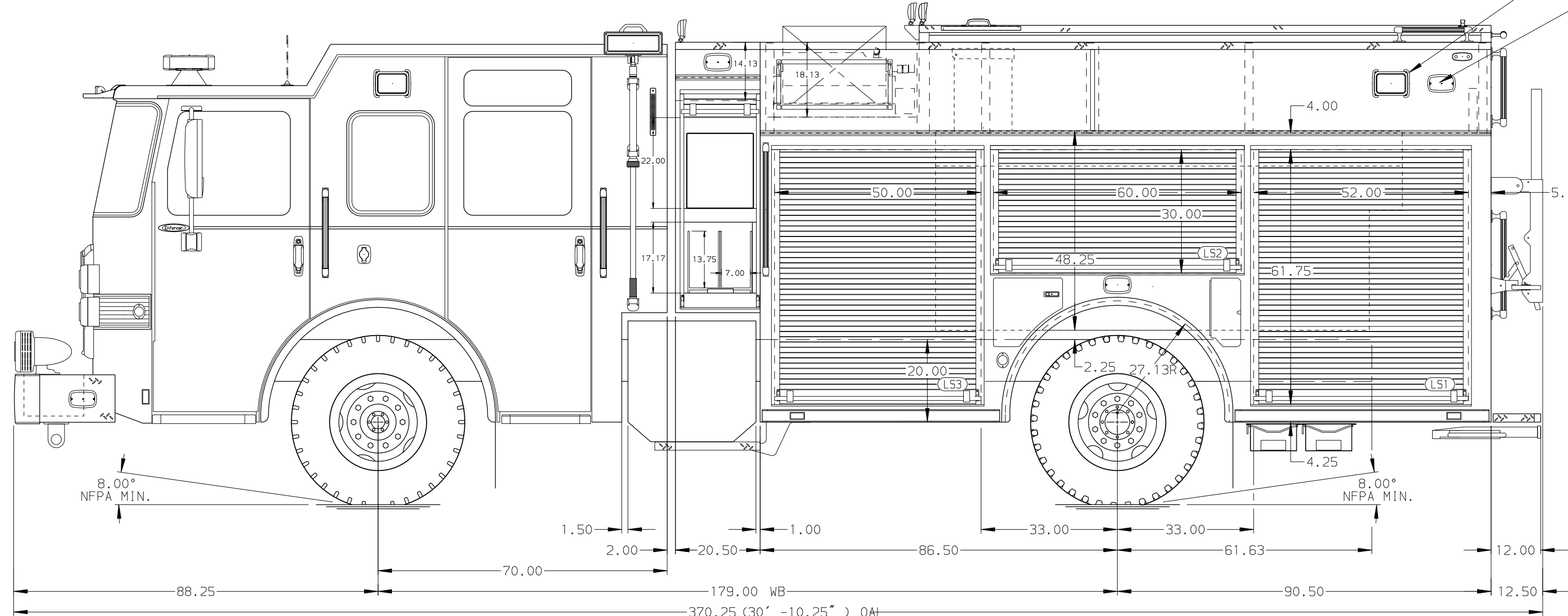
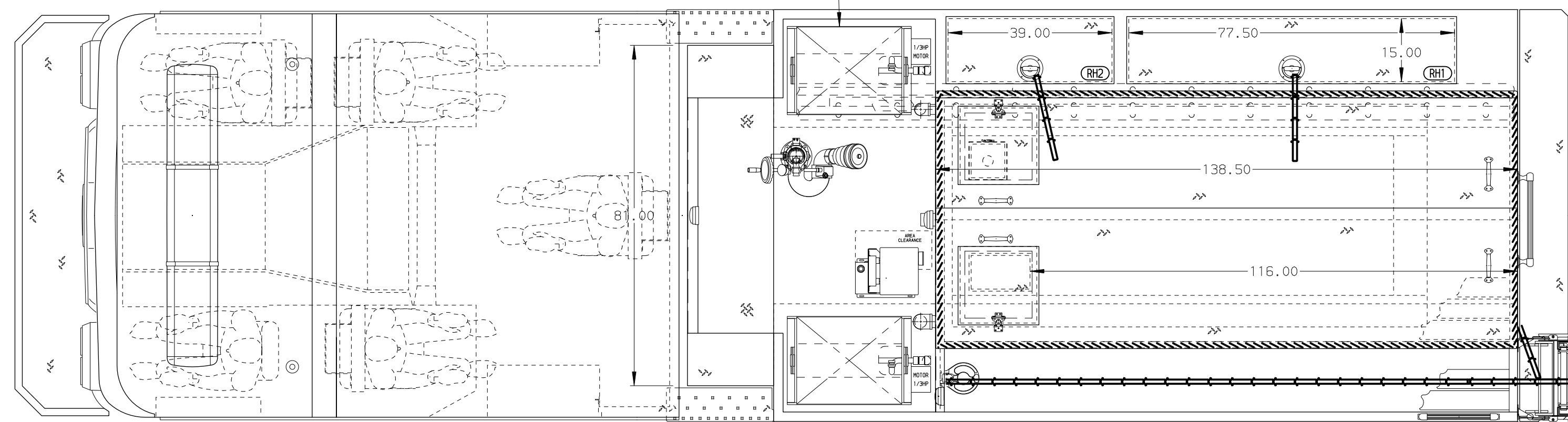
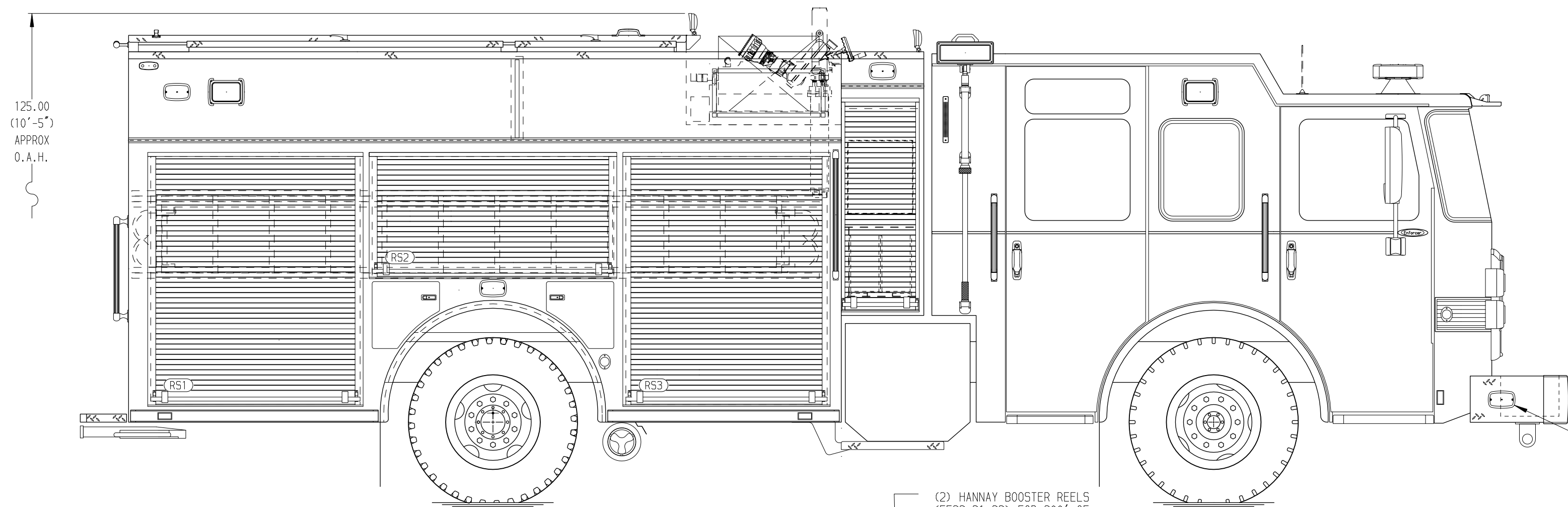
Generator Not Required

Foam System

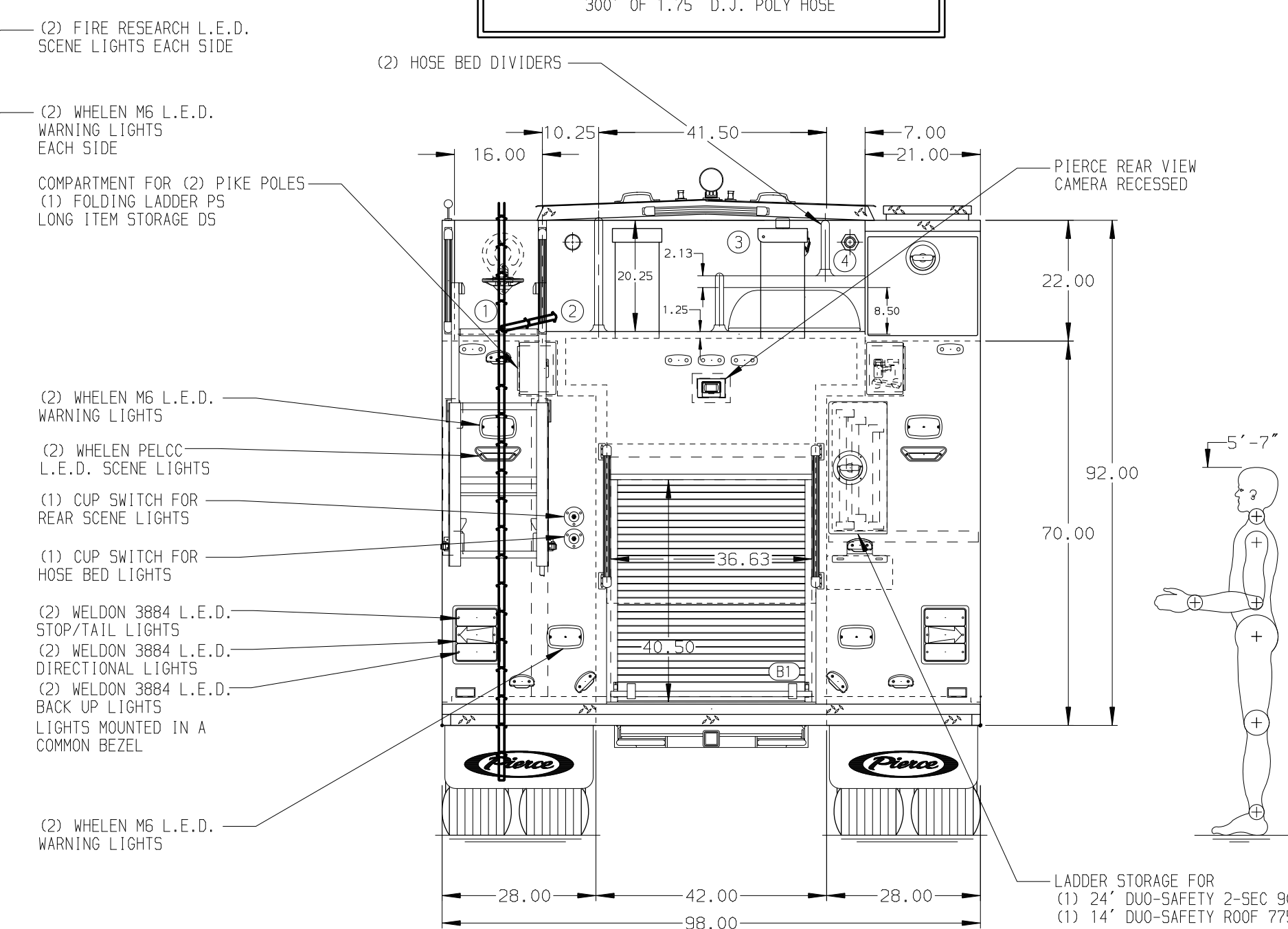
Husky 3 Single Agent Foam System

Foam Cell

20 Gallon Foam Cell, Not Reduced Water, PUC



HOSEBED CAPACITY	
BED 1	OPEN HOSEBED
BED 2	400' OF 2.50" D.J. POLY HOSE
BED 3	1000' OF 5.00" D.J. POLY HOSE
BED 4	300' OF 1.75" D.J. POLY HOSE



NOTE
DIMENSIONS SHOWN ARE APPROXIMATE AND ARE SUBJECT TO MINOR DEVIATIONS AS MAY OCCUR OR BE NECESSARY IN CONSTRUCTION. MINOR DETAILS NOT SHOWN.

- ONE 1.50 OUTLET WITH 2.00 PIPING AND SWIVEL LOCATED IN CENTER BUMPER TRAY
- SHORELINE RECEPTACLE WITH KUSSMAUL SUPER AUTO-EJECT LOCATED ON DRIVER SIDE OF THE CAB
- AIR INLET/OUTLET WITH DISCONNECT COUPLING IN THE DRIVER SIDE FRONT BODY COMPARTMENT
- AIR OUTLET WITH SHUT OFF VALVE LOCATED PER SHOP ORDER
- BATTERY CHARGER LOCATED BEHIND DRIVER SEAT
- BATTERY CHARGE INDICATOR LOCATED ON THE DRIVER SIDE SEAT RISER
- FIVE ADJUSTABLE SHELVES IN COMPARTMENTS PER SHOP ORDER
- FIVE FLOOR MOUNTED SLIDE-OUT TRAY IN COMPARTMENT PER SHOP ORDER
- THREE SLIDE-OUT TRAYS LOCATED IN COMPARTMENT PER SHOP ORDER
- THREE TILT/SLIDE-OUT TRAYS LOCATED IN COMPARTMENT PER SHOP ORDER
- ONE SWING-OUT TOOLBOARD LOCATED IN COMPARTMENT PER SHOP ORDER

REV	DATE	BY	CH	ENFORCER
14JUL21	MMF	COL		
27MAY21	MMF	COL		

		JOB NO.	36159
		SCALE	DATE
TITLE	Pierce PUC Pumper Approval Drawing	DRAWN BY	MMF
FOR	Niles Fire Department	CHECKED BY	COL
DWG NO.	36159AD	SHEET SIZE	SHEET NO.
		D	1 OF 1