

Pumper, PUC
BODY

Pumper, PUC, Aluminum

CHASSIS

Enforcer Chassis, PUC

CHASSIS
AXLE, FRONT, CUSTOM

18,000 Lb TAK-4 Axle

AXLE, REAR

31,000 Lb Meritor Axle

ENGINE

450 HP Cummins L9 Engine

TRANSMISSION

Allison 5th Gen, 3000 EVS P

BUMPER

19" Extended Stainless Steel

CAB

7010 Enforcer Cab, PUC

BODY
WATER TANK

COMPT, PUMPER, REAR

33.50" FF RollUp Rear Compt w/Tailboard, PUC

COMPT, PUMPER, LEFT SIDE

177" RollUp Full Height & Depth Front & Rear, PUC

COMPT, PUMPER, RIGHT SIDE

177" RollUp Full Height & Depth Front & Rear, PUC

FIRE SUPPRESSION
PUMPHOUSE

Control Zone, PUC

PUMP

1500 GPM Pierce PUC

CROSSLAYS, 1.50"

(2) 1.50", Poly Trays, 200"

CROSSLAYS, 2.50"

(1) 2.50", Poly Tray, 200"

GENERATOR

Generator Not Required

Foam System

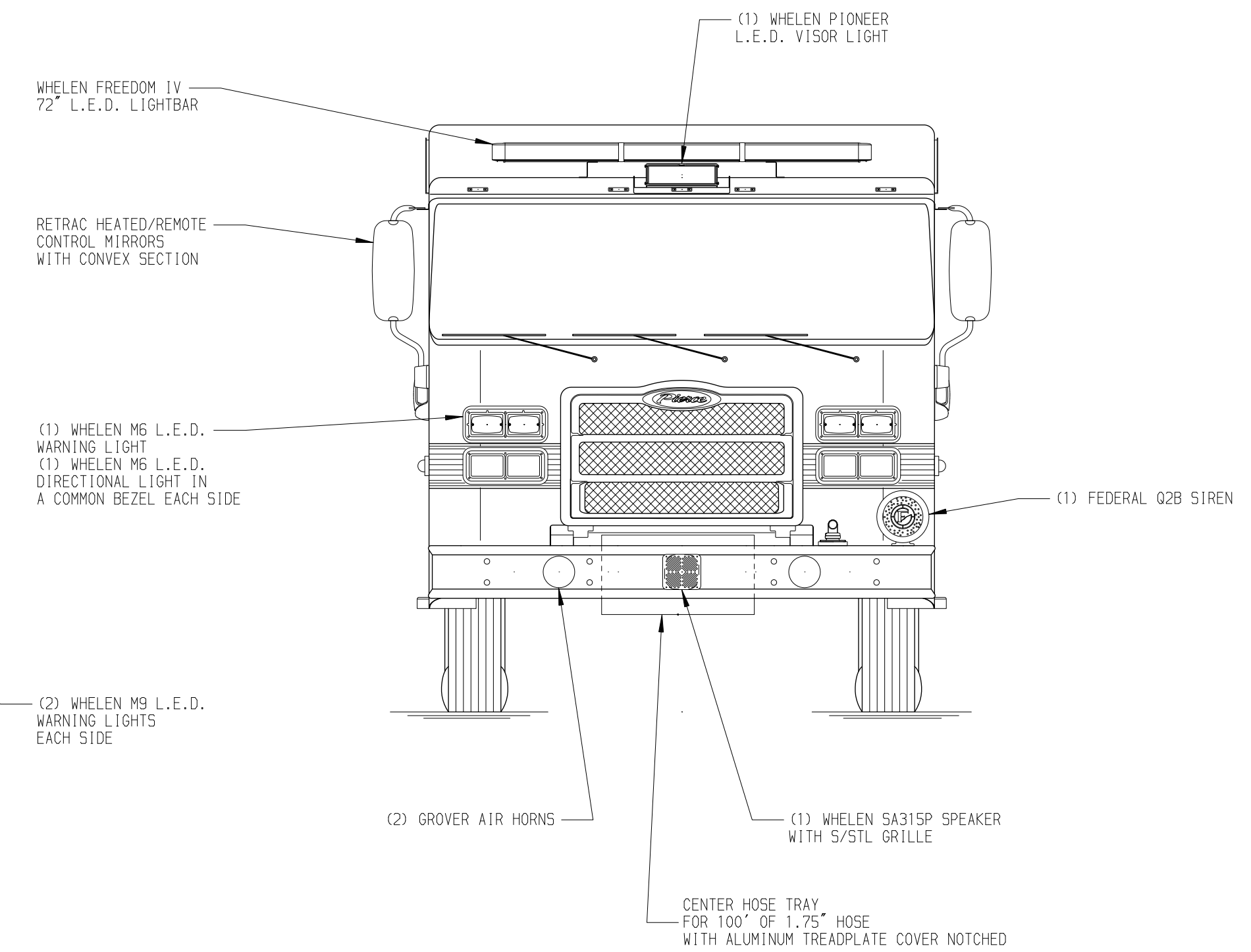
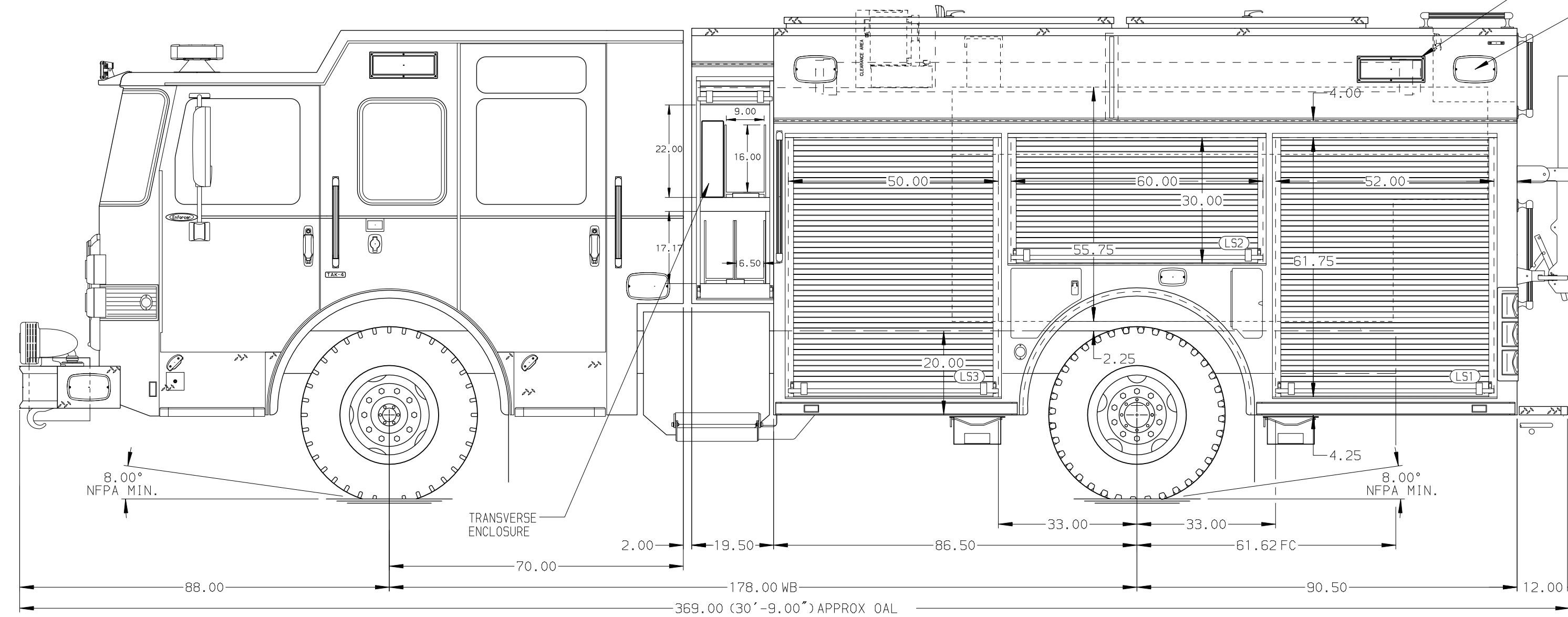
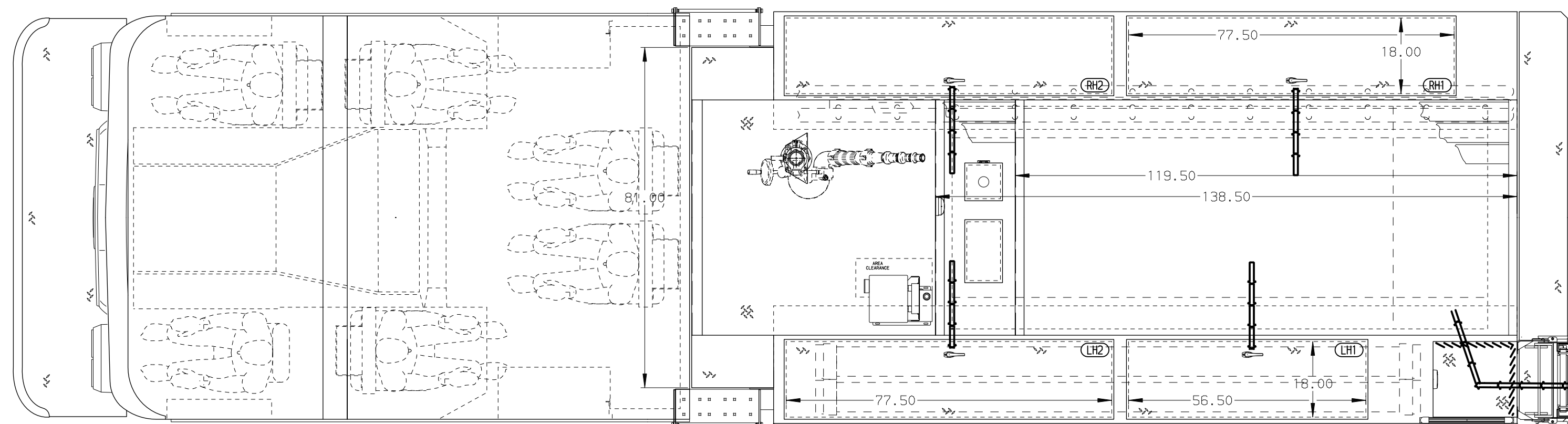
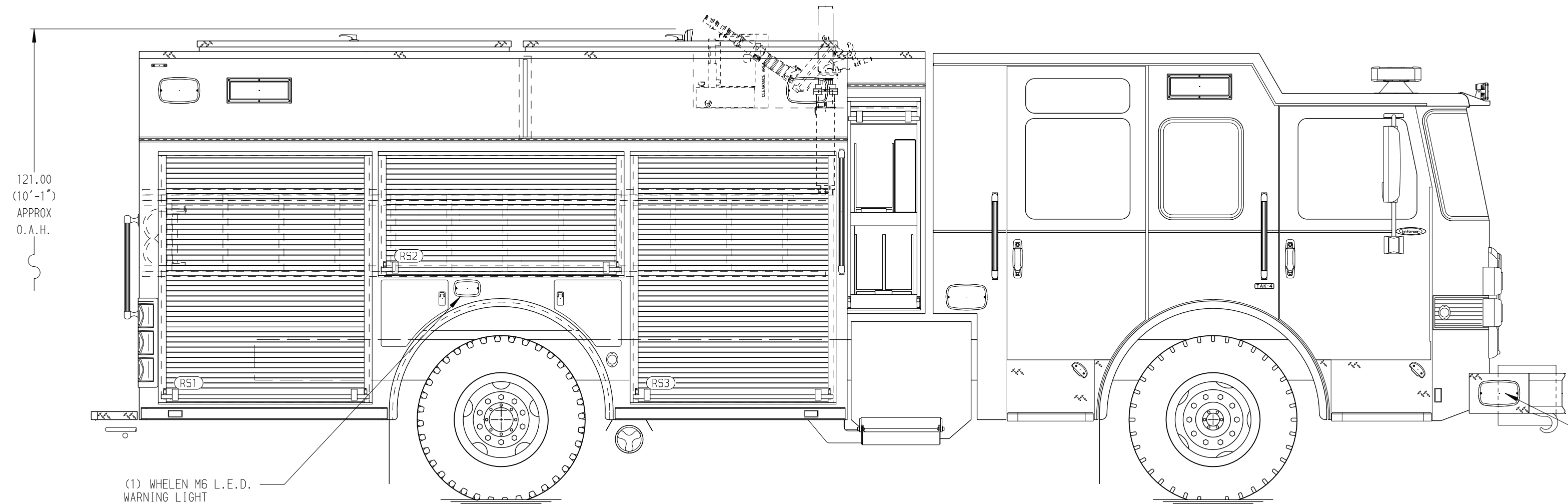
Husky 3 Single Agent Foam System

Foam Cell

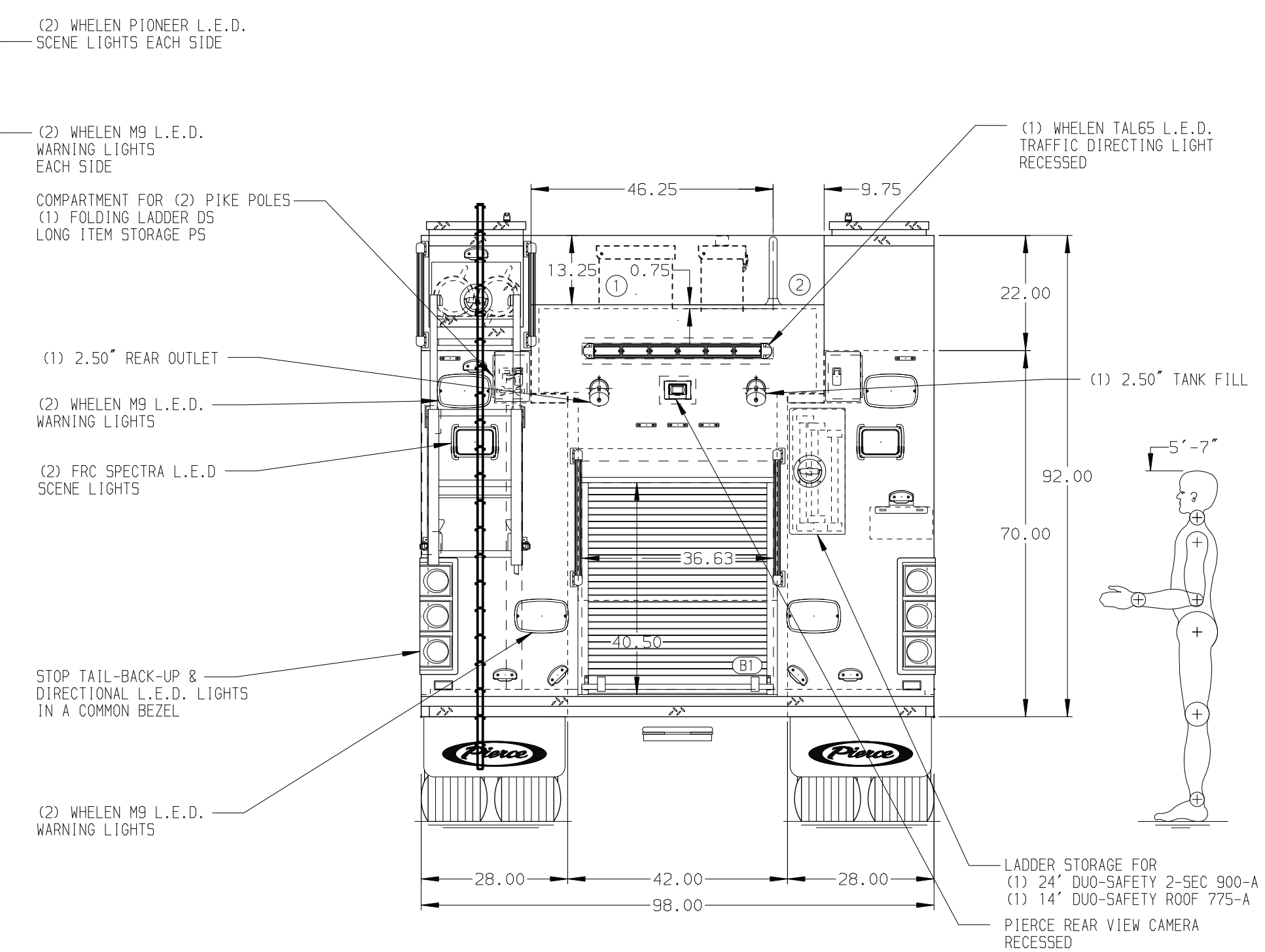
30 Gallon Foam Cell, Not Reduced Water, PUC

NOTE
DIMENSIONS SHOWN ARE APPROXIMATE AND ARE SUBJECT TO MINOR DEVIATIONS AS MAY OCCUR OR BE NECESSARY IN CONSTRUCTION. MINOR DETAILS NOT SHOWN.

- ONE 1.50" OUTLET WITH 2.00" PIPING AND SWIVEL LOCATED ON TOP OF BUMPER LEFT SIDE
- SHORELINE RECEPTACLE WITH KISSMALL SUPER AUTO-EJECT LOCATED ON DRIVER SIDE OF THE CAB
- AIR INLET WITH DISCONNECT COUPLING IN THE DRIVER SIDE STEPWELL
- BATTERY CHARGER LOCATED IN COMPARTMENT PER SHOP ORDER
- BATTERY CHARGE INDICATOR LOCATED ON THE DRIVER SIDE OF CAB
- FOUR ADJUSTABLE SHELVES IN COMPARTMENTS PER SHOP ORDER
- FOUR FLOOR MOUNTED SLIDE-OUT TRAY IN COMPARTMENT PER SHOP ORDER
- ONE SLIDE-OUT TOOLBOARD IN COMPARTMENT PER SHOP ORDER
- PAC TRAC ON BACK WALL IN COMPARTMENT PER SHOP ORDER



HOSEBED CAPACITY	
BED 1	1000' OF 4.00" D.J. POLY HOSE
BED 2	200' OF 2.50" D.J. POLY HOSE



Pierce MANUFACTURING INC.		JOB NO.	36145
		SCALE	DATE
		1:24	
Pierce PUC Pumper Approval Drawing		DRAWN BY	08FEB21
Wales Center Volunteer Fire Company		CHECKED BY	9FEB21
DWG NO. 36145AD		SHEET SIZE	SHEET NO.
		D	1 OF 1

REV	DATE	BY	CH	ENFORCER
14MAY21	MMF	JGO		CHASSIS DATA
01APR21	MMF	CW1		MAKE
				PIERCE
				MODEL
				ENFORCER