

**PUMPER BODY**  
 Long Aluminum 2nd Gen Pumper

**CHASSIS**  
 Enforcer Chassis

**CHASSIS AXLE, FRONT, CUSTOM**  
 19,500 Lb TAK 4 Axle

**AXLE, REAR**  
 27,000 Lb Dana Axle

**ENGINE**  
 450 HP Cummins L9 Engine

**TRANSMISSION**  
 Allison 5th Gen, 3000 EVS P

**BUMPER**  
 26" Extended Underslung Bumper

**CAB**  
 7010 Enforcer Cab

**BODY WATER TANK**  
 1000 Gallon Poly Water Tank

**COMPT, PUMPER, REAR**  
 44.50" FF RollUp, 41.88" Deep Flush Rear Compt

**COMPT, PUMPER, LEFT SIDE**  
 161" RollUp Full Height Front & Rear FDLER

**COMPT, PUMPER, RIGHT SIDE**  
 161" RollUp Full Height & Depth Front Full Height Rear FDLER

**FIRE SUPPRESSION PUMPHOUSE**  
 45" Control Zone Top Mount

**PUMP**  
 1500 GPM Waterous CSU

**CROSSLAYS, 1.50"**  
 (2) 1.50" Standard Capacity

**CROSSLAYS, 2.50"**  
 2.50" Crosslay Not Required

**SPEEDLAYS**  
 SpeedLays Not Required

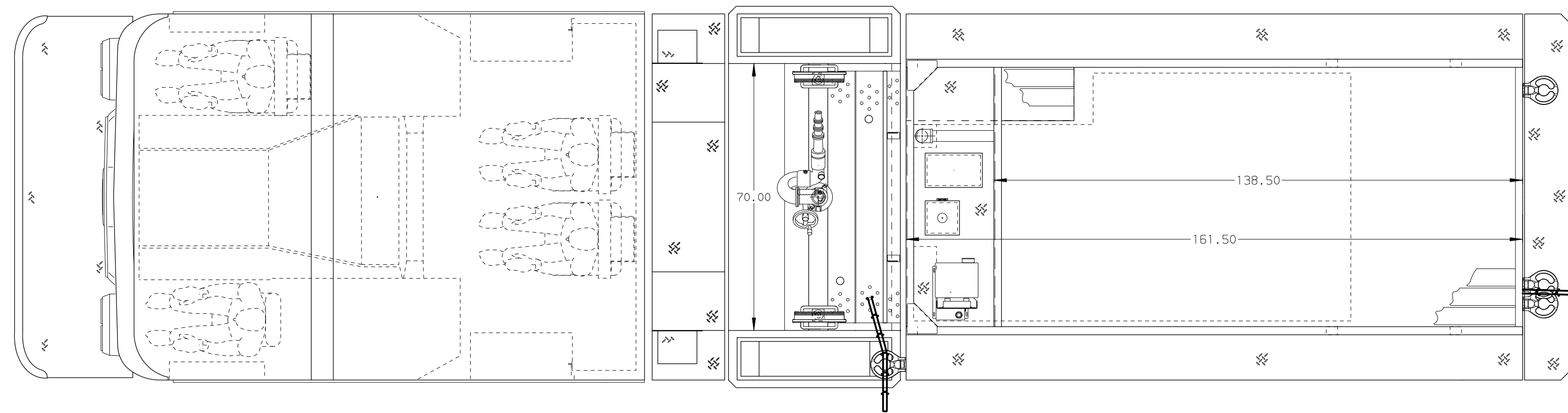
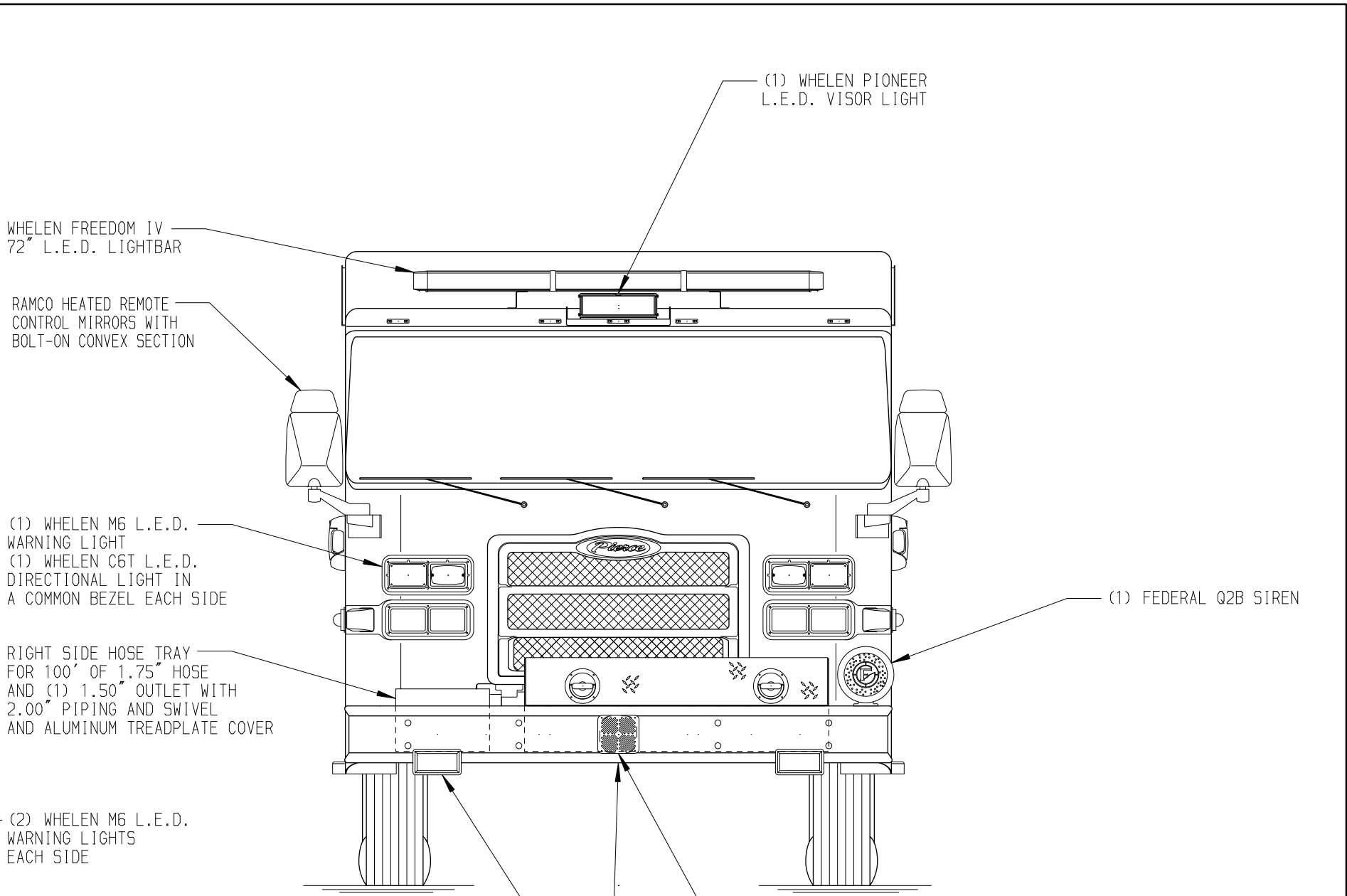
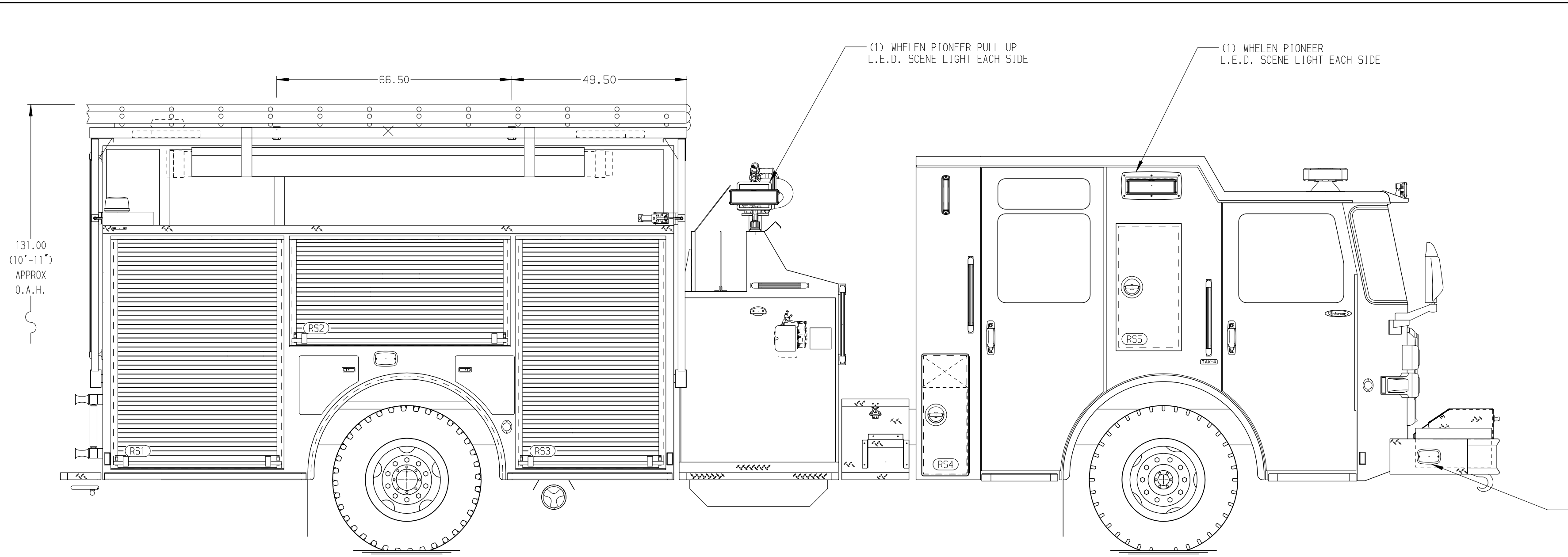
**GENERATOR**  
 Generator Not Required

**Foam System**  
 Husky 3 Single Agent Foam System

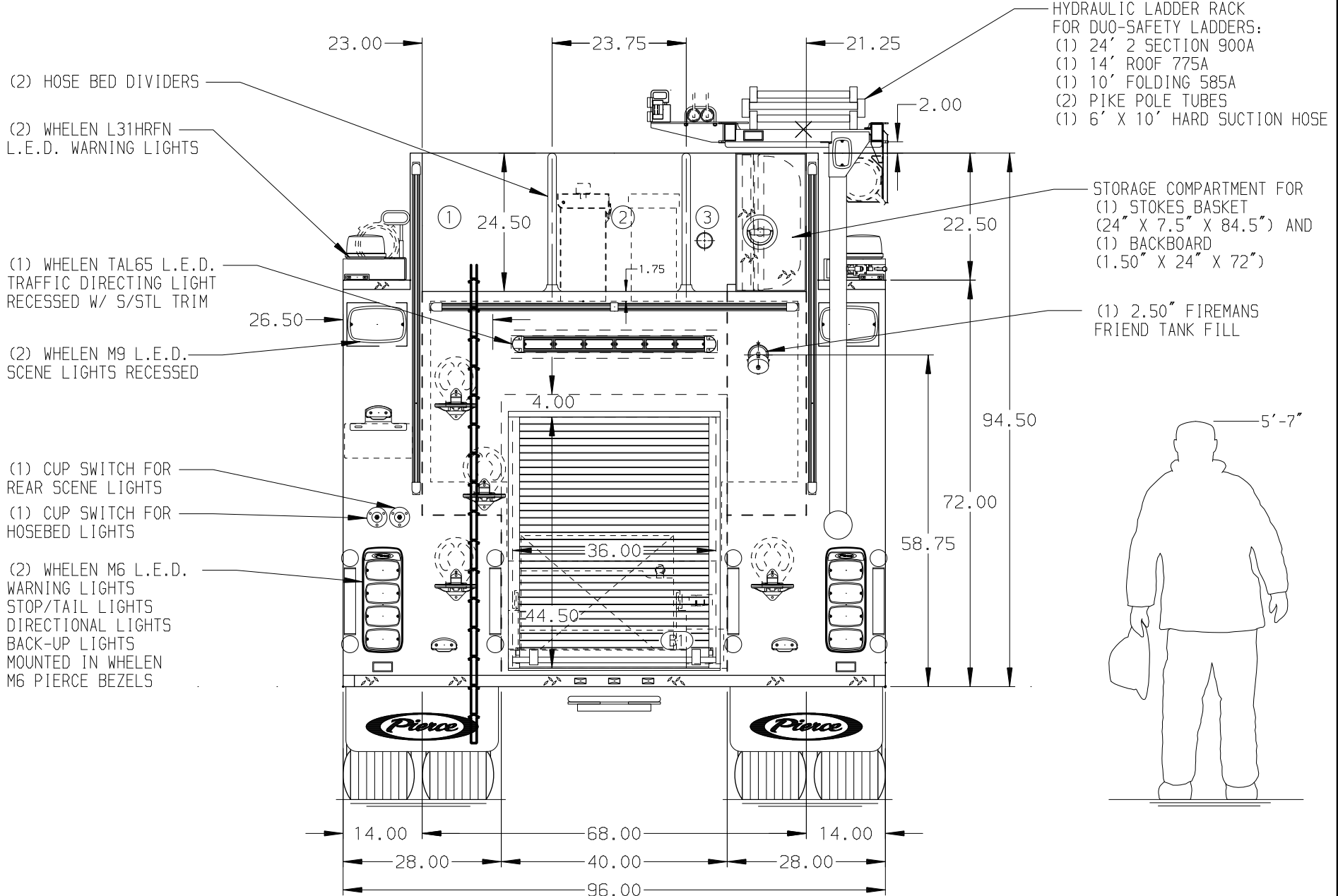
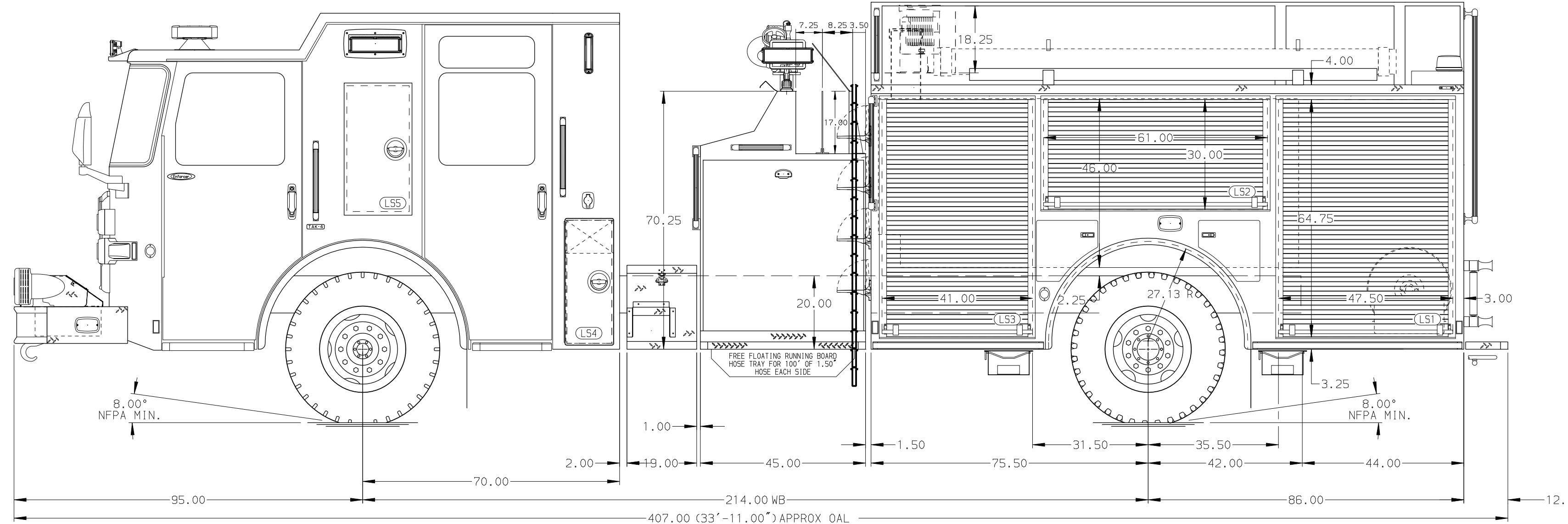
**Foam Cell**  
 20 Gallon Foam Cell, Not Reduced Water

**NOTE**  
 DIMENSIONS SHOWN ARE APPROXIMATE AND ARE SUBJECT TO MINOR DEVIATIONS AS MAY OCCUR OR BE NECESSARY IN CONSTRUCTION. MINOR DETAILS NOT SHOWN.

1. AUTOMATIC TIRE CHAINS
2. SHORELINE RECEPTACLE WITH KUSSMAUL SUPER AUTO-EJECT LOCATED ON DRIVER SIDE REAR OF CREW CAB DOOR
3. BATTERY CHARGER LOCATED IN COMPARTMENT PER SHOP ORDER
4. BATTERY CHARGE INDICATOR LOCATED ON THE DRIVER SIDE SEAT RISER
5. FOUR ADJUSTABLE SHELVES LOCATED PER SHOP ORDER
6. ONE TILTING/SLIDE-OUT TRAY LOCATED PER SHOP ORDER
7. ONE SWING-OUT TOOLBOARD LOCATED PER SHOP ORDER
8. THREE DRAWER CTECH CABINET LOCATED PER SHOP ORDER
9. HANNAY BOOSTER REEL EF34-23-24 WITH CAPACITY FOR 200' OF 1.00" BOOSTER HOSE LOCATED IN COMPARTMENT B1
10. ONE SPECIAL HEIGHT VERTICAL PARTITION LOCATED PER SHOP ORDER



<b>BED 1</b>
600' OF 3.00" D.J. POLY HOSE
<b>BED 2</b>
600' OF 3.00" D.J. POLY HOSE
<b>BED 3</b>
200' OF 2.50" D.J. POLY HOSE



	<b>MANUFACTURING INC.</b>		JOB NO.	36124
			SCALE	DATE
		TITLE	Pierce Pumper Approval Drawing	
		FOR	City of Salem Fire Department Washington Township	
		CHECKED BY	COL	04FEB21
		SHEET SIZE	D	SHEET NO. 1 OF 1

REV	DATE	BY	CH	ENFORCER
1	14MAY21	COL	ZWE	PIERCE
2	31MAR21	MMF	ZWE	MODEL

DWG NO. **36124AD**