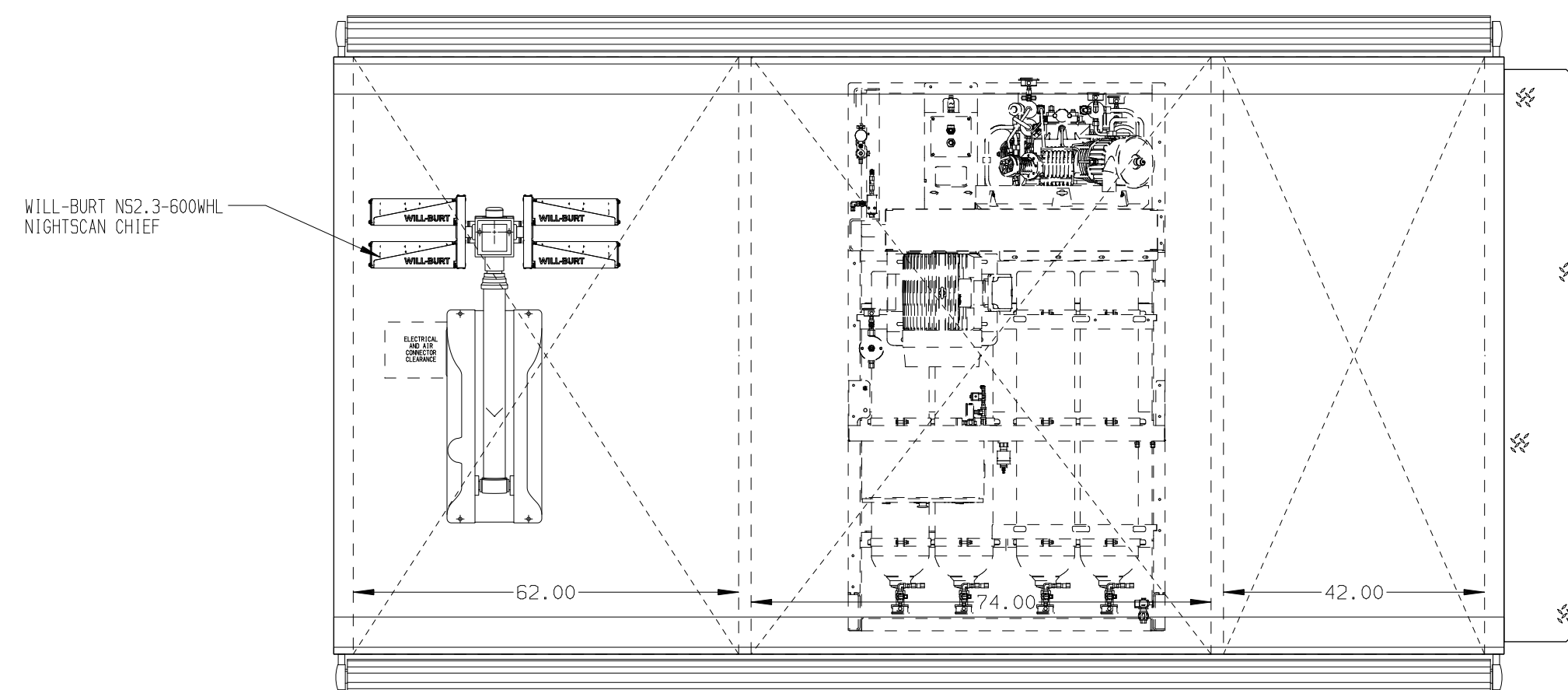
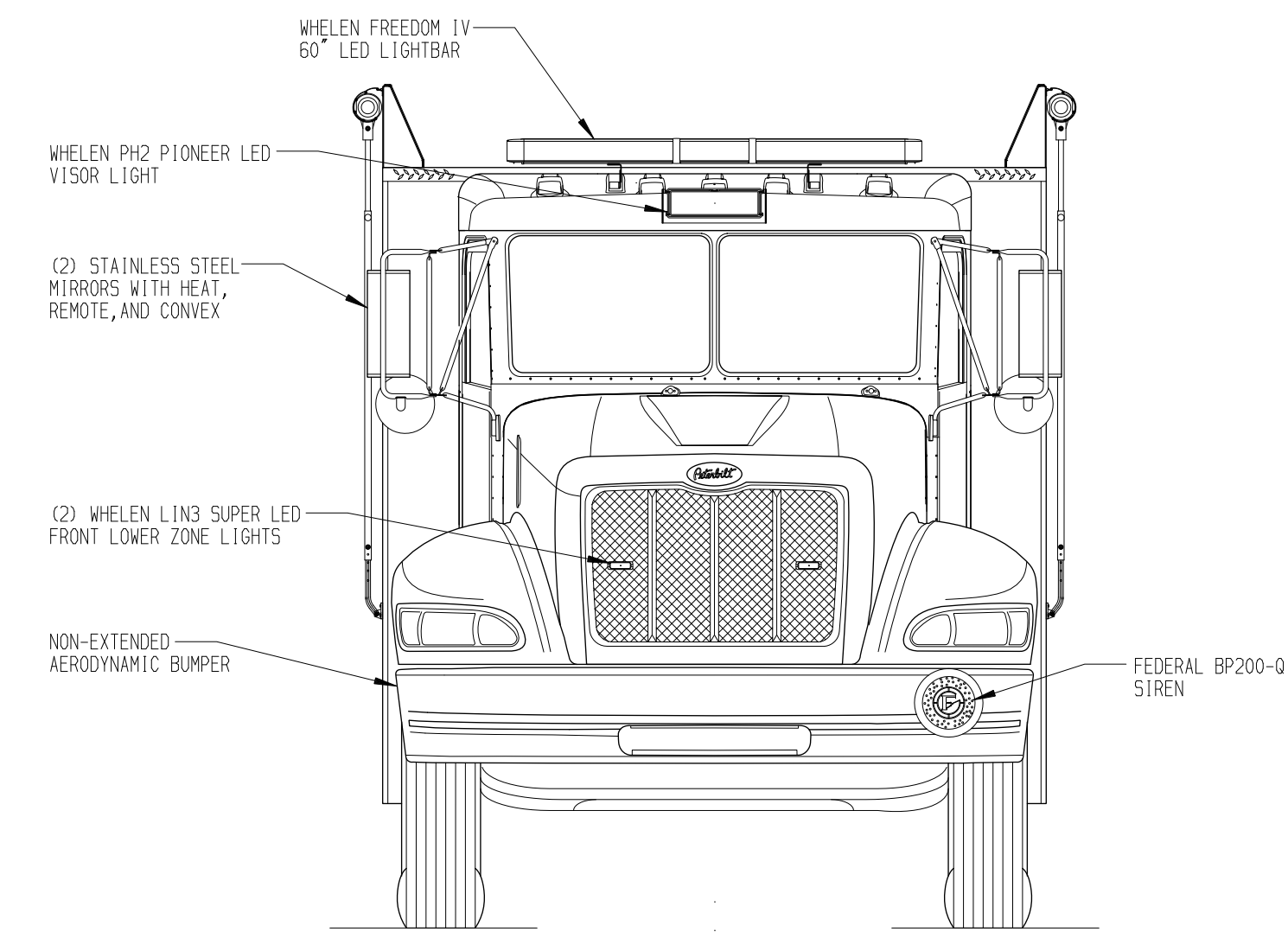
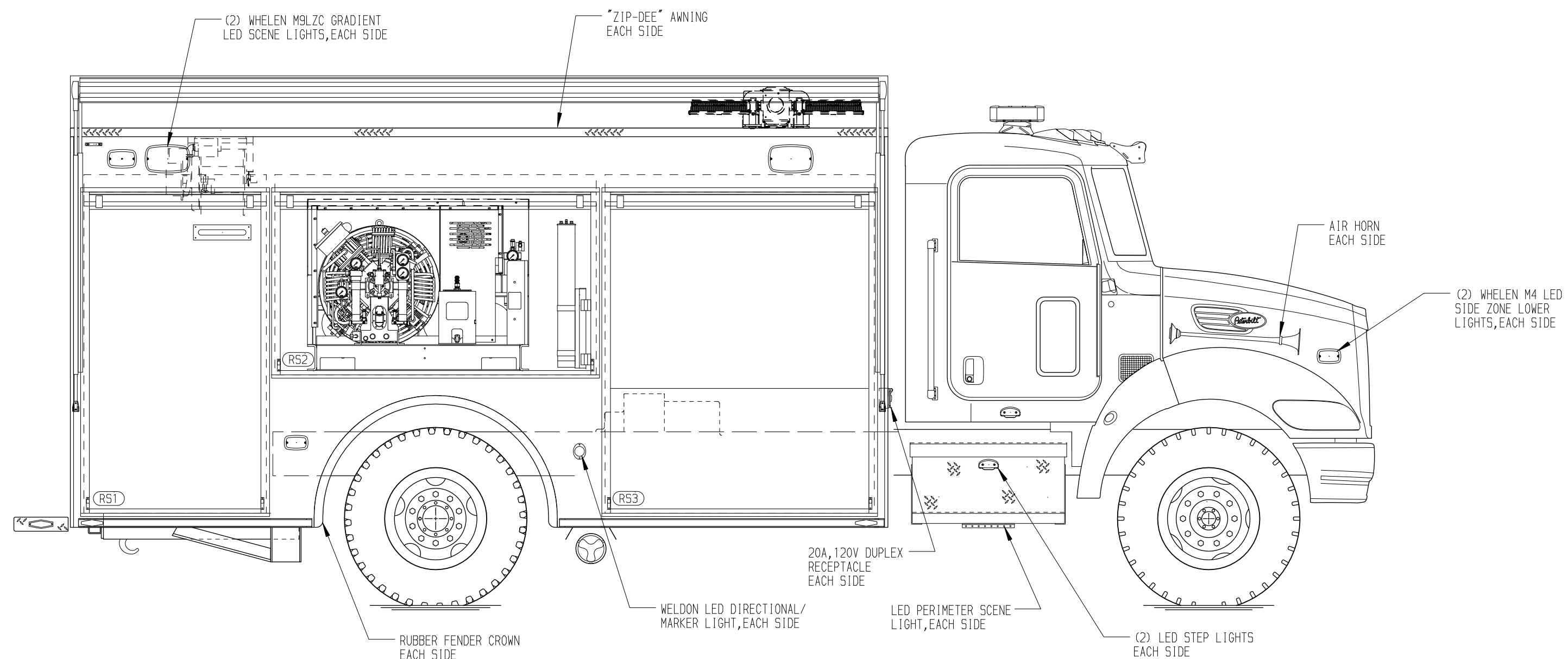


RIGHT SIDE COMPARTMENTS CONTAIN THE FOLLOWING:

COMPARTMENT R51 CONTAINS:
 - (1) ELECTRIC CORD REEL WITH 200' OF 10/3 BLACK CORD

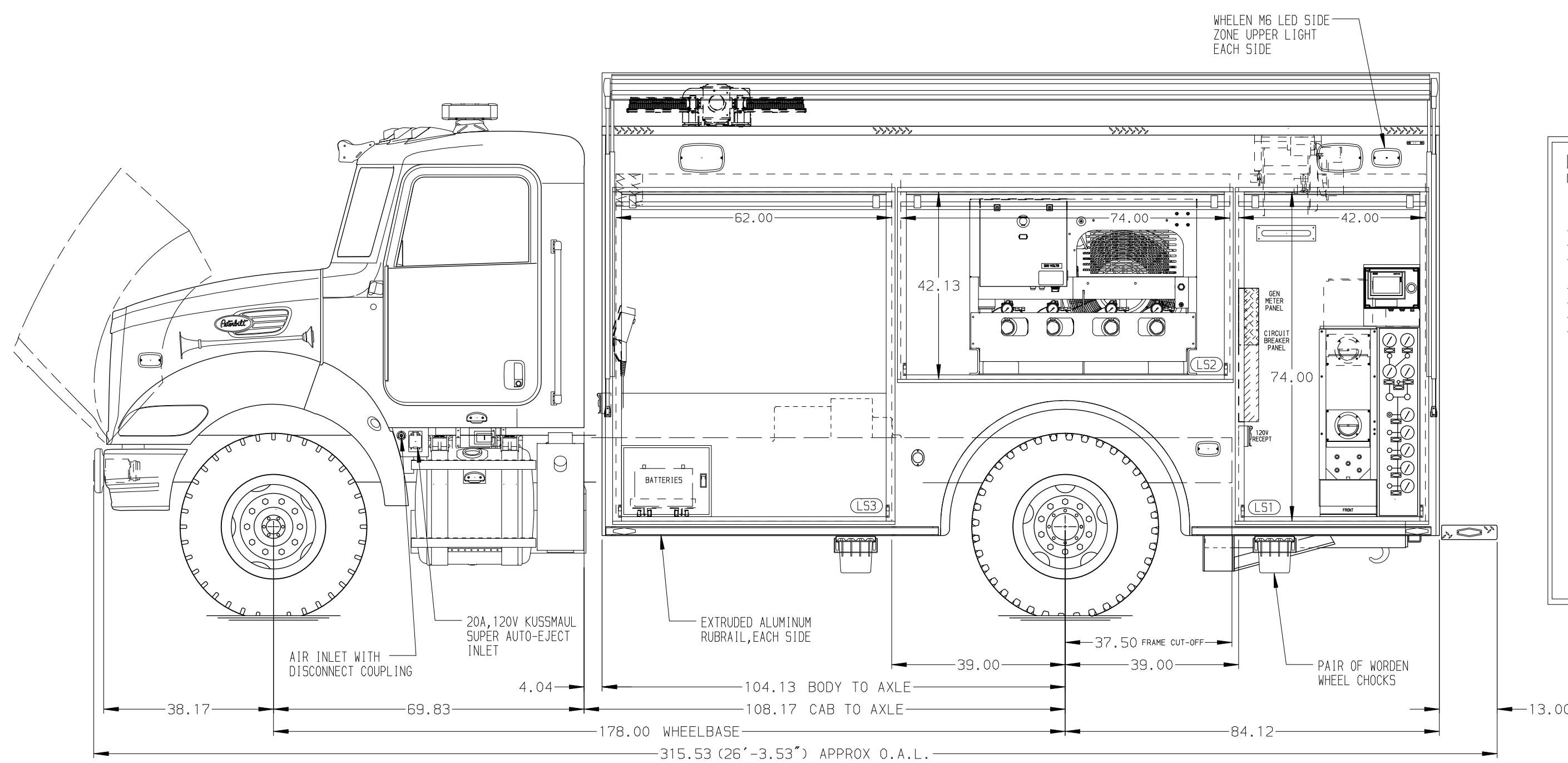
COMPARTMENT R52 CONTAINS:
 - (1) BAUER K18.1-20-E3 BREATHING AIR COMPRESSOR
 - BREATHING AIR PURIFIERS

COMPARTMENT R53 CONTAINS:



REAR COMPARTMENT CONTAINS THE FOLLOWING:

COMPARTMENT B1 CONTAINS:
 - (1) RACK FOR 20 SCBA BOTTLES
 - (2) HIGH PRESSURE BREATHING AIR REELS WITH 300' OF HOSE

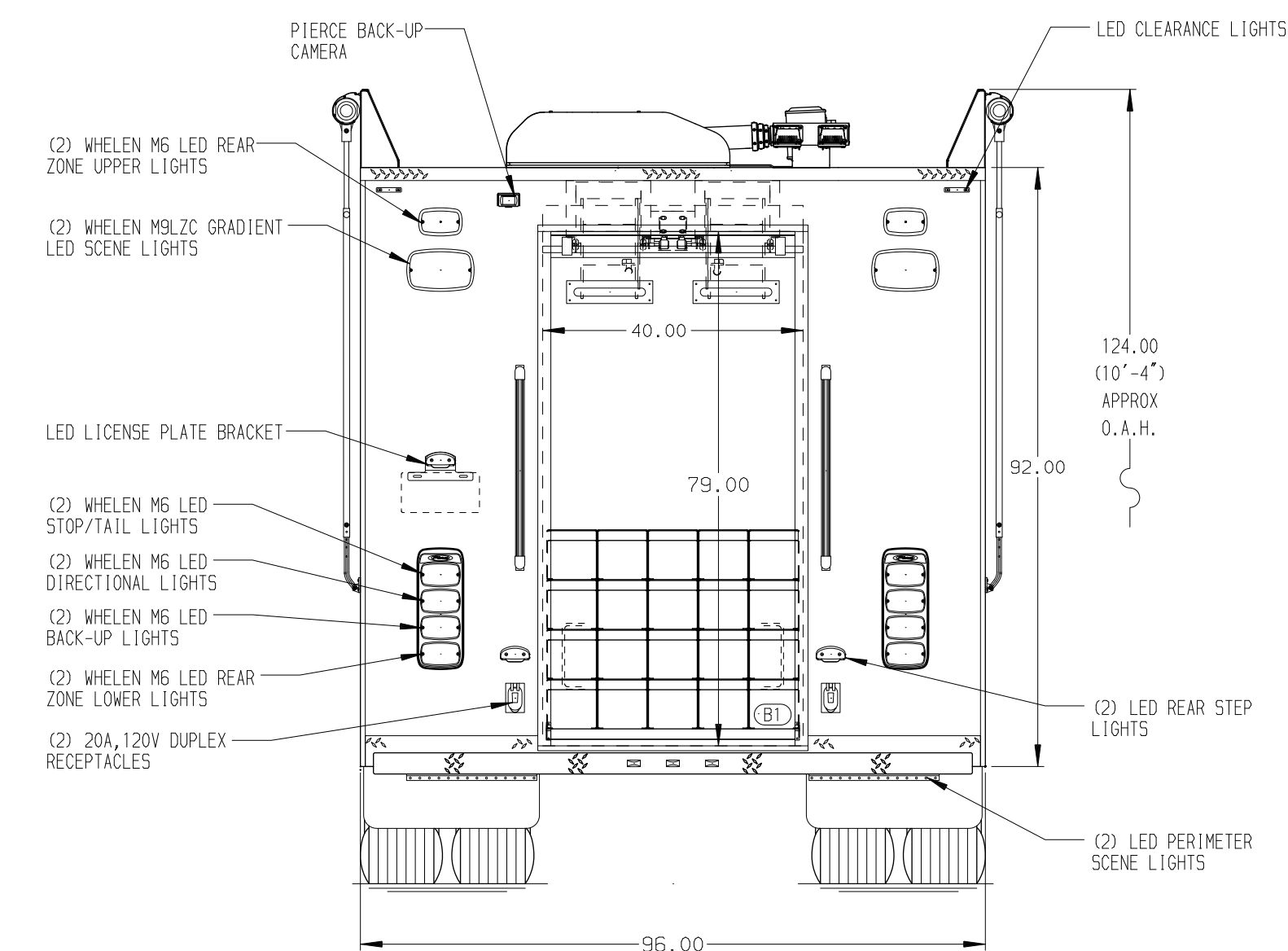


LEFT SIDE COMPARTMENTS CONTAIN THE FOLLOWING:

COMPARTMENT L51 CONTAINS:
 - (1) CIRCUIT BREAKER PANEL
 - (1) GENERATOR METER PANEL
 - (1) ELECTRIC CORD REEL WITH 200' OF 10/3 BLACK CORD
 - (1) 20A, 120V DUPLEX RECEPTACLE
 - (1) CASCADE SYSTEM CONTROL PANEL
 - (1) SPACESAVER 2-BOTTLE FILL ENCLOSURE
 - (1) COMPRESSOR CONTROL PANEL

COMPARTMENT L52 CONTAINS:
 - (1) BAUER K18.1-20-E3 BREATHING AIR COMPRESSOR

COMPARTMENT L53 CONTAINS:
 - (1) KUSSMAUL 1200 CHARGER
 - (1) NIGHTSCAN CONTROLLER



NOTE
 DIMENSIONS SHOWN ARE APPROXIMATE AND ARE SUBJECT TO MINOR DEVIATIONS AS MAY OCCUR OR BE NECESSARY IN CONSTRUCTION. MINOR DETAILS NOT SHOWN.

NOTES:
 1. PIERCE DUAL LED LIGHTS IN ALL BODY COMPARTMENTS
 2. LIMA 40kW THREE PHASE PTO DRIVEN GENERATOR LOCATED BETWEEN THE FRAME RAILS

CLEAR DOOR WIDTH KEY	
AMOR ROLL UP DOORS:	-2 1/4"
CORTITE ROLL UP DOORS:	-2 1/2"
PIERCE DOUBLE LAP DOORS:	-4 1/4"
PIERCE LIFT-UP LAP DOORS:	-1 1/2"
(EX: 60" F-F - 2 1/4" = 57 3/4" CLEAR)	
(F-F) = FRAME TO FRAME	

REV	DATE	BY	CH	348
19MAY21	DHE	CDK	MAKE	
11MAR21	DHE	CDK	PETERBILT	
29JAN21	DHE	CDK	MODEL	

		JOB NO.	36119
		SCALE	DATE
TITLE	ENCORE RESCUE VEHICLE	DRAWN BY	19JAN21
FOR	CITY OF NORMAN	CHECKED BY	21JAN21
DWG NO.	BID #491	SHEET SIZE	SHEET NO.
	STEVEN MARTIN	D	1 OF 1
		36119AD	