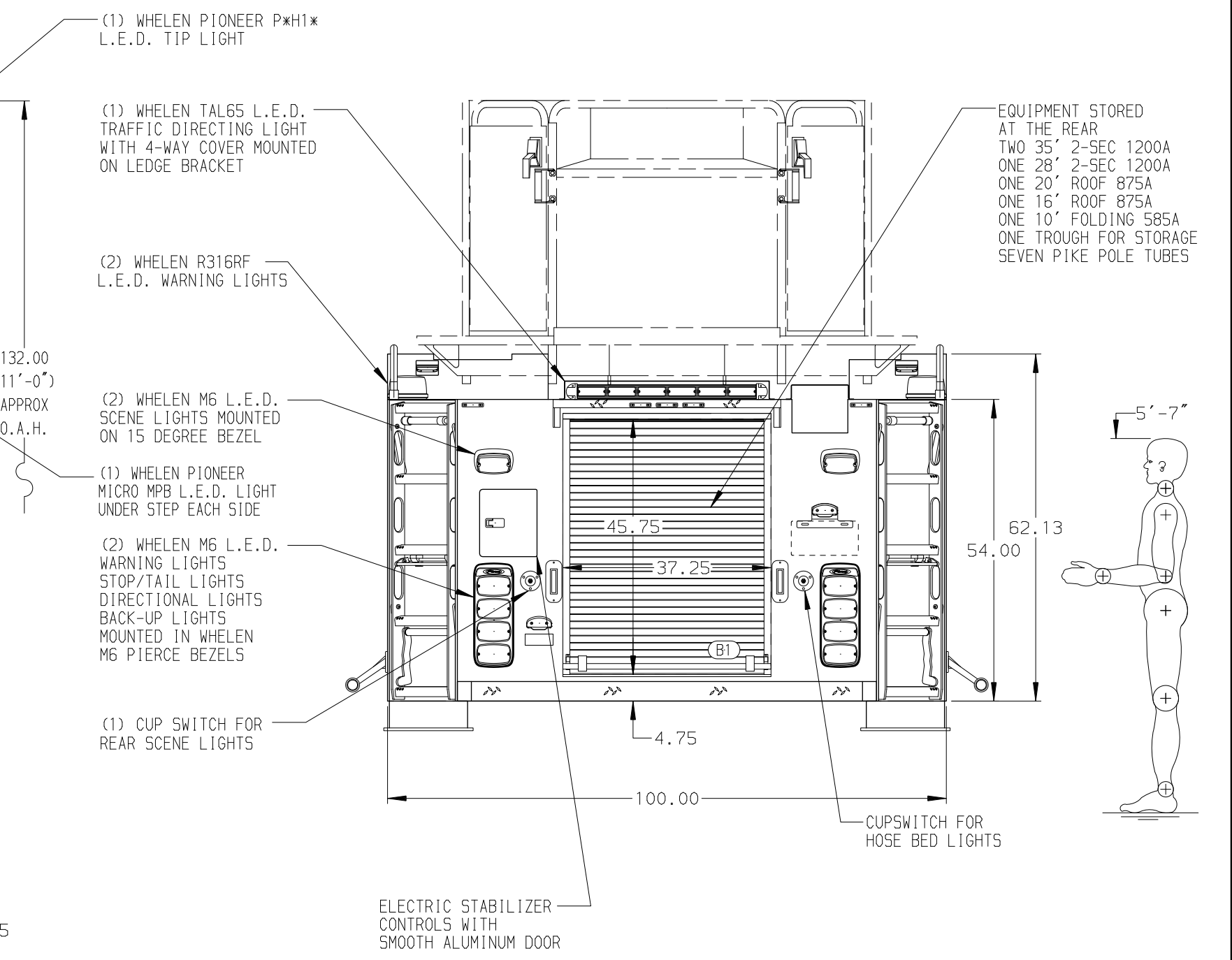
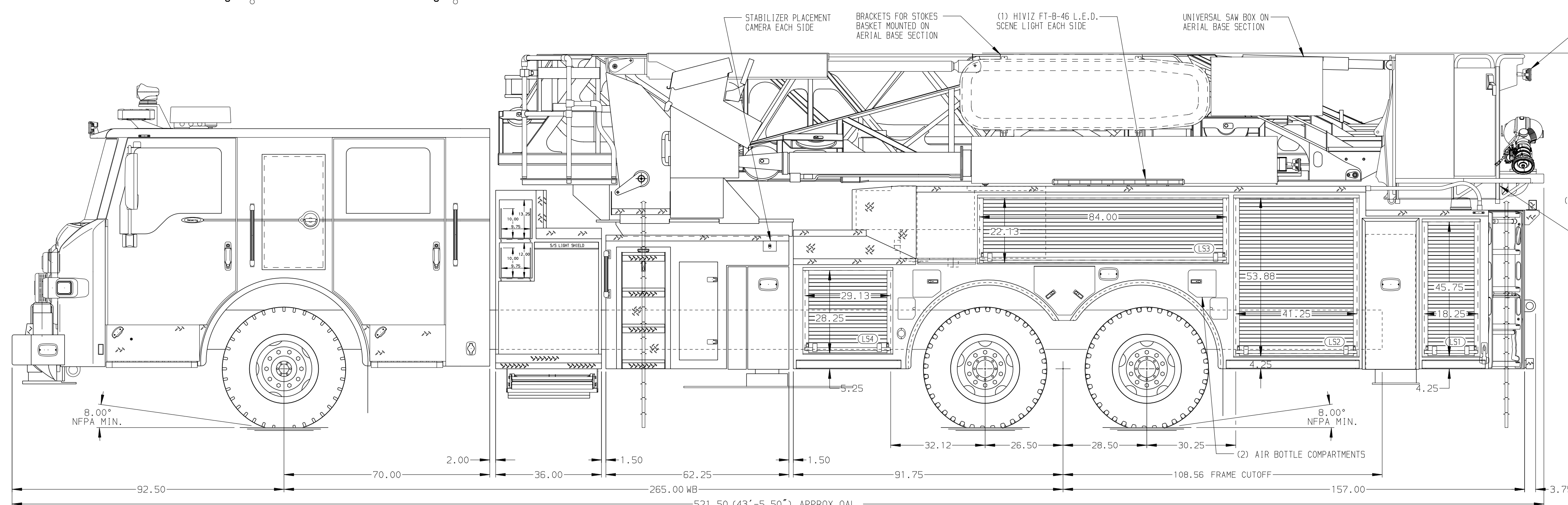


BODY 100' Ascendant Aerial Tower Alum Body COMPT, LEFT SIDE Full Height RollUp Doors COMPT, RIGHT SIDE Full Height RollUp Doors	WATER TANK 300 Gallon Poly Water Tank Foam System Foam System Not Required Foam Cell Foam Cell Not Required
---	---



CHASSIS Velocity Chassis (Big Block) ENGINE 605 HP CUMMINS X15 ENGINE	CAB 7000 Velocity FR Cab BUMPER 15" Extended Painted Aluminum	AXLE, FRONT, CUSTOM 24,000 Lb Dana Axle AXLE, REAR 52,000 Lb Meritor Axle	TRANSMISSION Allison 5th Gen, 4000 EV5 P	PUMPHOUSE 36" Control Zone Side Mount PUMP 1500 GPM Hale D5D	CROSSLAYS, 1.50" (2) 1.50", With Trays, 200' CROSSLAYS, 2.50" 2.50" Crosslay Not Required	SPEEDLAYS Speedlays Not Required GENERATOR Generator Not Required	SAFETY Side Roll and Frontal Impact Protection
--	--	--	--	---	--	--	---

NOTE
DIMENSIONS SHOWN ARE APPROXIMATE AND ARE SUBJECT TO MINOR DEVIATIONS AS MAY OCCUR OR BE NECESSARY IN CONSTRUCTION. MINOR DETAILS NOT SHOWN.

1. SHORELINE RECEPTACLE WITH KUSSMAUL SUPER AUTO-EJECT LOCATED ON DRIVER SIDE OF THE CREW CAB	2. AIR INLET WITH DISCONNECT COUPLING IN THE DRIVER SIDE STEPPWELL	3. BATTERY CHARGER LOCATED IN COMPARTMENT PER SHOP ORDER	4. BATTERY CHARGE INDICATOR LOCATED NEAR DRIVER SEAT RISER WITH BRACKET	5. L.E.D. LIGHT STRIPS WITH STAINLESS STEEL PROTECTIVE COVER LOCATED IN HOSE BED	6. SIX ADJUSTABLE SHELVES IN COMPARTMENTS PER SHOP ORDER	7. WHEEL CHOCKS AND MOUNTING PROVIDED BY FIRE DEPARTMENT	8. NON-RAISED AERIAL PEDESTAL	9. 3-in-1 LYFECOMBO BRACKETS AT AERIAL BASKET	10. TWO 120V RECEPTACLES LOCATED PER SHOP ORDER
---	--	--	---	--	--	--	-------------------------------	---	---

Pierce MANUFACTURING INC.		JOB NO.	36079
TITLE		SCALE	DATE
100' ASCENDANT AERIAL TOWER AND BODY ASSEMBLY		1:24	01FEB21
MAKE		CHECKED BY	01FEB21
PIERCE		NDA	
MODEL		SHEET SIZE	SHEET NO.
DWG NO.		D	1 OF 1
REV		36079AD	