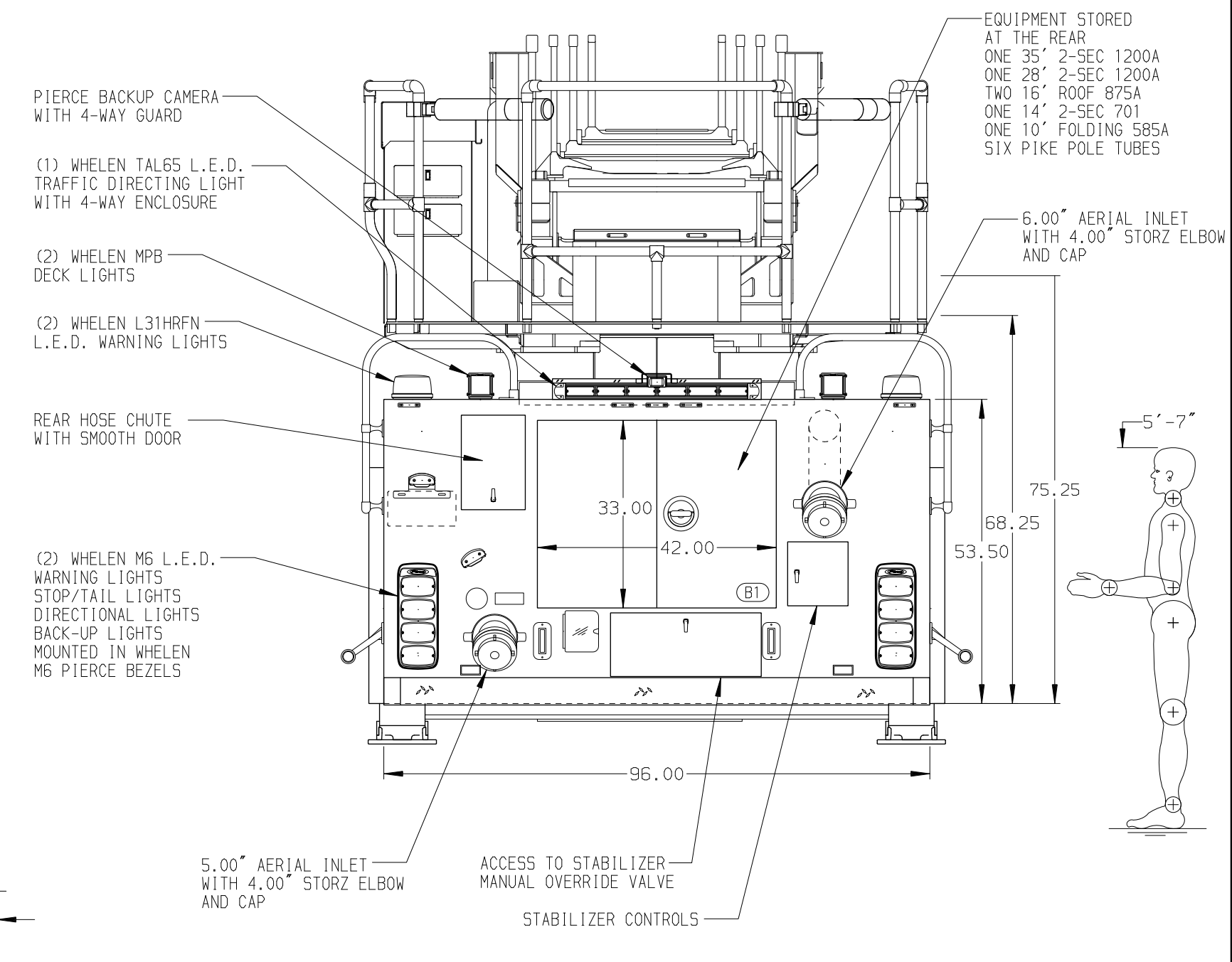
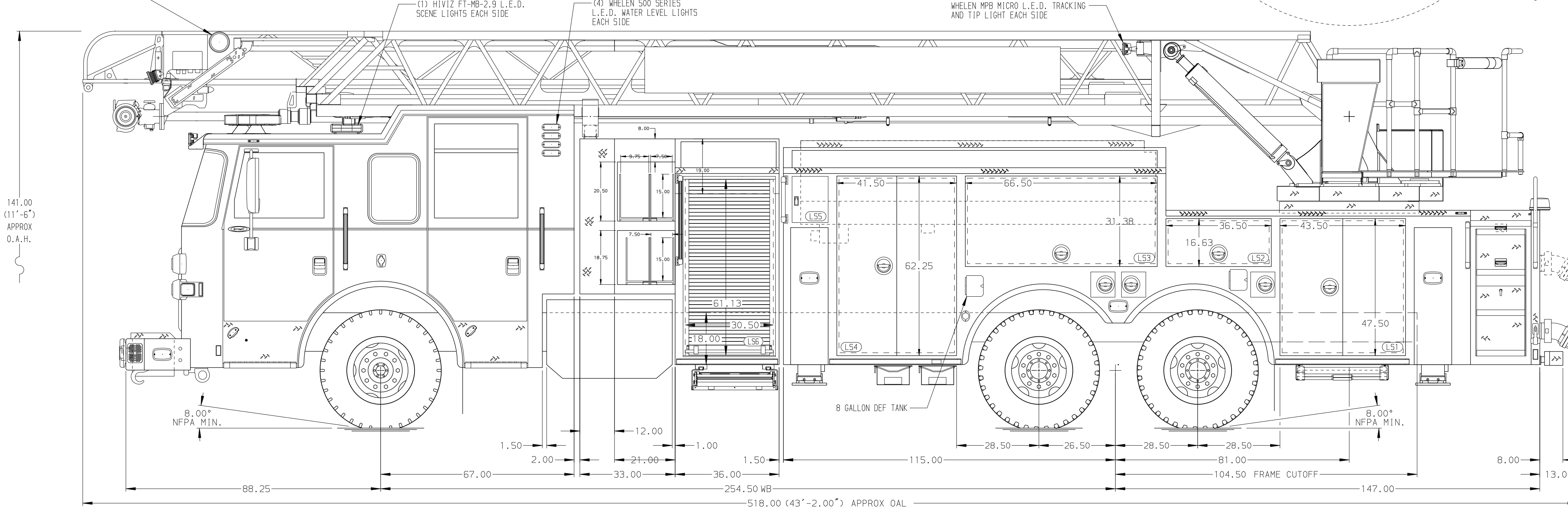


BODY 107' ASL Tandem Axle Stainless Steel Body PUC	WATER TANK 500 Gallon Notched Poly Water Tank
COMPT, LEFT SIDE FRONT Full Height Lap Forward	Foam System Foam System Not Required
COMPT, LEFT SIDE REAR Full Height Lap Rearward	Foam Cell Foam Cell Not Required
COMPT, RIGHT SIDE FRONT Full Height Lap Forward	
COMPT, RIGHT SIDE REAR Full Height Lap Rearward	



CHASSIS Arrow XT Chassis, PUC ENGINE 525 HP DD13 Engine	CAB 6710 Notched Arrow XT Cab, PUC BUMPER 19" Extended Painted Steel	AXLE, FRONT, CUSTOM 23,000 Lb Dana Axle AXLE, REAR 52,000 Lb Meritor Axle	TRANSMISSION Allison 5th Gen, 4000 EVS P	PUMPHOUSE Control Zone, PAL/PAP PUC PUMP 1500 GPM Pierce PUC	CROSSLAYS, 1.50" Lower (2) 1.50", Poly Tray, 200' 1.75" Hose CROSSLAYS, 1.50" Upper (1) 2.50", Poly Tray, 400' 1.75" Hose	CROSSLAYS, 2.50" Upper (1) 2.50", Poly Tray, 200' 2.00" Hose GENERATOR Generator Not Required
NOTE						
DIMENSIONS SHOWN ARE APPROXIMATE AND ARE SUBJECT TO MINOR DEVIATIONS AS MAY OCCUR OR BE NECESSARY IN CONSTRUCTION. MINOR DETAILS NOT SHOWN.						
1. ONE 1.50" OUTLET WITH 2.00" PIPING AND SWIVEL LOCATED IN CENTER BUMPER TRAY 2. SHORELINE RECEPTACLE WITH KUSSMAUL SUPER AUTO-EJECT LOCATED ON DRIVER SIDE OF THE CAB 3. AIR INLET WITH DISCONNECT COUPLING IN THE DRIVER SIDE STEPIWELL 4. BATTERY CHARGER LOCATED IN COMPARTMENT PER SHOP ORDER 5. BATTERY CHARGE INDICATOR LOCATED NEAR DRIVER SEAT RISER WITH BRACKET 6. DUAL L.E.D. LIGHT STRIPS LOCATED IN HOSE BED 7. FOUR ADJUSTABLE SHELVES IN COMPARTMENTS PER SHOP ORDER 8. TWO FLOOR MOUNTED SLIDE-OUT TRAYS IN COMPARTMENTS PER SHOP ORDER 9. FOUR ALUMINUM PEGBOARD ON BACK WALL OF COMPARTMENTS PER SHOP ORDER 10. RACK FOR (7) AIR BAGS IN COMPARTMENT PER SHOP ORDER 11. LIFTING EYE ROPE RESCUE ATTACHMENT AT AERIAL TIP 12. MIC AND SPEAKER COMPARTMENT LOCATED ON PUMP PANEL 13. FEDERAL RUMBLER-3 SPEAKER LOCATED BEHIND BUMPER 14. FIVE 120V DUPLEX RECEPTACLES LOCATED PER SHOP ORDER 15. 3.00" RAISED AERIAL PEDESTAL 16. LIFTING EYE ROPE RESCUE ATTACHMENT AT AERIAL TIP 17. 1500 GPM HIGH FLOW WATERWAY 18. 28.00" LIMITED RETRACTION REQUIRED						

MAXIMUM OVERALL HEIGHT = 141.00" (11'-6")

Pierce MANUFACTURING INC.		JOB NO.	36066
		SCALE	DATE
		1:24	
		DRAWN BY	28JAN21
		TKA	
		CHECKED BY	28JAN21
		NDA	
		SHEET SIZE	SHEET NO.
		D	1 OF 1

CHASSIS DATA	TITLE	107' ASCENDANT AERIAL LADDER AND BODY ASSEMBLY
MAKE	FOR	EAST CLEVELAND FIRE DEPARTMENT
MODEL	DWG NO.	36066AD
REV	DATE	BY
20AUG21	LWE	CR1
02JUN21	LWE	CR1
ARROW XT		