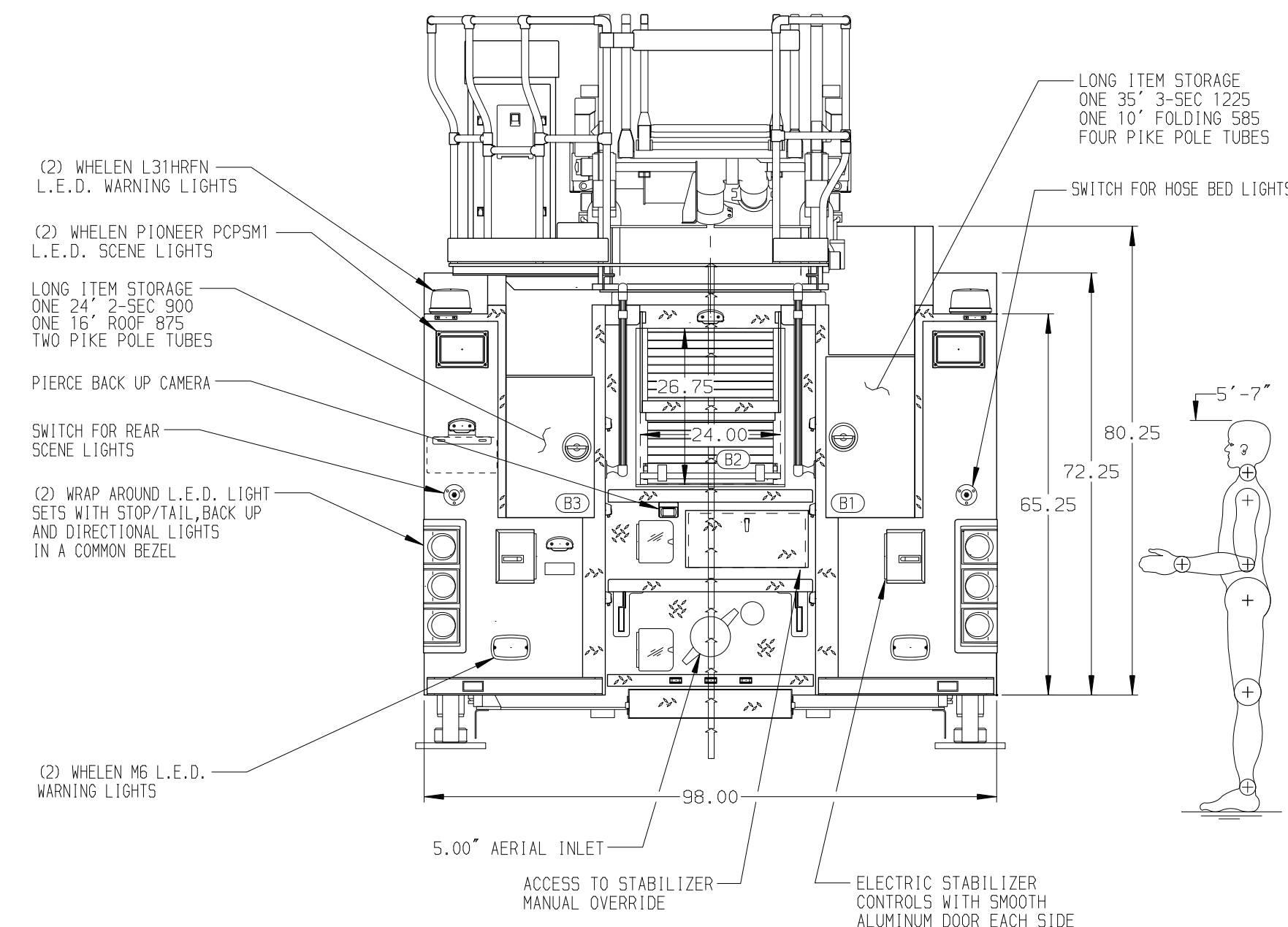
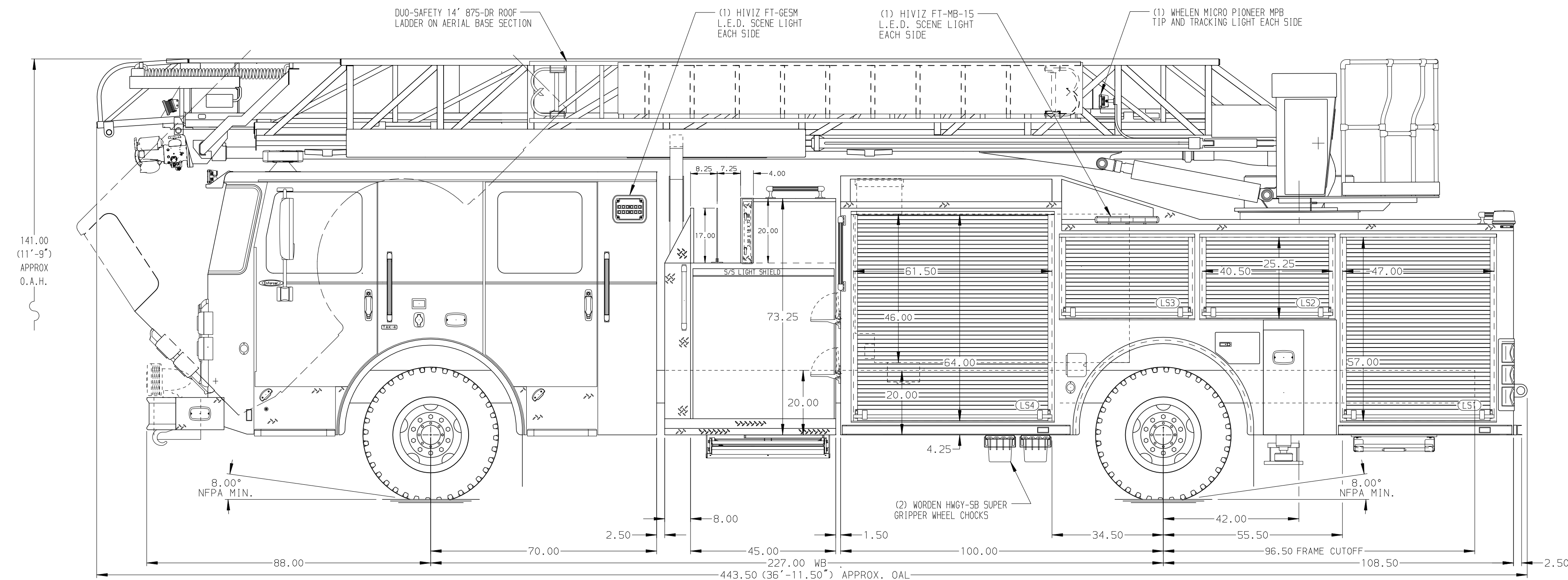


BODY	WATER TANK
75' HAL Aluminum Body	500 Gallon Poly Water Tank
COMPT, LEFT SIDE FRONT	Foam System
Full Height RollUp Forward	Foam System Not Required
COMPT, LEFT SIDE REAR	Foam Cell
Full Height RollUp Rearward	Foam Cell Not Required
COMPT, RIGHT SIDE FRONT	
Full Height RollUp Forward	
COMPT, RIGHT SIDE REAR	
Full Height RollUp Rearward	



CHASSIS Enforcer Chassis ENGINE 450 HP Cummins L9 Engine	CAB 7000 Enforcer Cab BUMPER 19' Extended Stainless Steel	AXLE, FRONT, CUSTOM 19,500 Lb TAK-4 Axle AXLE, REAR 33,500 Lb Meritor Axle	TRANSMISSION Allison 5th Gen, 3000 EV5 P	PUMPHOUSE 45' Control Zone Side Mount PUMP 1500 GPM Waterous CSU	CROSSLAYS, 1.50" (2) 1.50' Standard Capacity CROSSLAYS, 2.50" 2.50' Crosslay Not Required	SPEEDLAYS Speedlays Not Required GENERATOR Generator Not Required
---	--	---	--	---	--	--

NOTE
DIMENSIONS SHOWN ARE APPROXIMATE AND ARE SUBJECT TO MINOR DEVIATIONS AS MAY OCCUR OR BE NECESSARY IN CONSTRUCTION. MINOR DETAILS NOT SHOWN.

- SHORELINE RECEPTACLE WITH KUSMAUL SUPER AUTO-EJECT LOCATED ON DRIVER SIDE OF THE CAB
- AIR INLET WITH DISCONNECT COUPLING IN THE DRIVER SIDE STEPPWELL
- BATTERY CHARGER LOCATED IN COMPARTMENT PER SHOP ORDER
- BATTERY CHARGE INDICATOR LOCATED ON DRIVER SIDE OF THE CAB
- DUAL L.E.D. LIGHT STRIPS LOCATED IN HOSE BED
- THREE ADJUSTABLE SHELVES IN COMPARTMENTS PER SHOP ORDER
- TWO FLOOR MOUNTED SLIDE-OUT TRAYS LOCATED IN COMPARTMENTS PER SHOP ORDER
- FOUR POLY MOUNTING BOARDS ON BACK WALL IN COMPARTMENTS PER SHOP ORDER
- 7.00' AERIAL LIMITED RETRACTION
- 1.50' RAISED AERIAL PEDESTAL
- 1500 GPM HIGH FLOW WATERWAY
- LIFTING EYE RESCUE ATTACHMENT AT AERIAL TIP

14APR21	TKA	THS	
31MAR21	TKA	THS	
REV	DATE	BY	CH

Pierce MANUFACTURING INC.

JOB NO. 36062
SCALE 1:24
DATE
DRAWN BY TKA
21DEC20
CHECKED BY THS
22DEC20
SHEET SIZE D
SHEET NO. 1 OF 1

TITLE 75 AERIAL LADDER & BODY ASSEMBLY (HAL)
MAKE PIERCE
FOR RIVERDALE FIRE SERVICES
RIVERDALE, GEORGIA
DWG NO. 36062AD