

Pumper, PUC

BODY

Pumper, PUC, Aluminum

CHASSIS

Enforcer Chassis, PUC

CHASSIS

AXLE, FRONT, CUSTOM

19,500 Lb TAK-4 Axle

AXLE, REAR

27,000 Lb Dana Axle

ENGINE

525 HP DD13 Engine

TRANSMISSION

Allison 5th Gen, 4500 EVS P

BUMPER

19" Extended Stainless Steel

CAB

7010 Enforcer Cab, PUC

BODY

WATER TANK

750 Gallon Poly Water Tank

COMPT, PUMPER, REAR

40.50" FF Lap Rear Compt w/Tailboard, PUC

COMPT, PUMPER, LEFT SIDE

189" RollUp Full Height & Depth Front & Rear, PUC

COMPT, PUMPER, RIGHT SIDE

189" RollUp Full Height & Depth Front & Rear, PUC

FIRE SUPPRESSION

PUMPHOUSE

Control Zone, PUC

PUMP

1500 GPM Pierce PUC

CROSSLAYS, 1.50"

(2) 1.50", Poly Trays, 150'

(1) 1.50", Poly Trays, 200'

CROSSLAYS, 2.50"

(1) 2.50", Poly Tray, 200'

GENERATOR

Generator Not Required

Foam System

Husky 3 Single Agent Foam System

Foam Cell

20 Gallon Foam Cell, Not Reduced Water, PUC

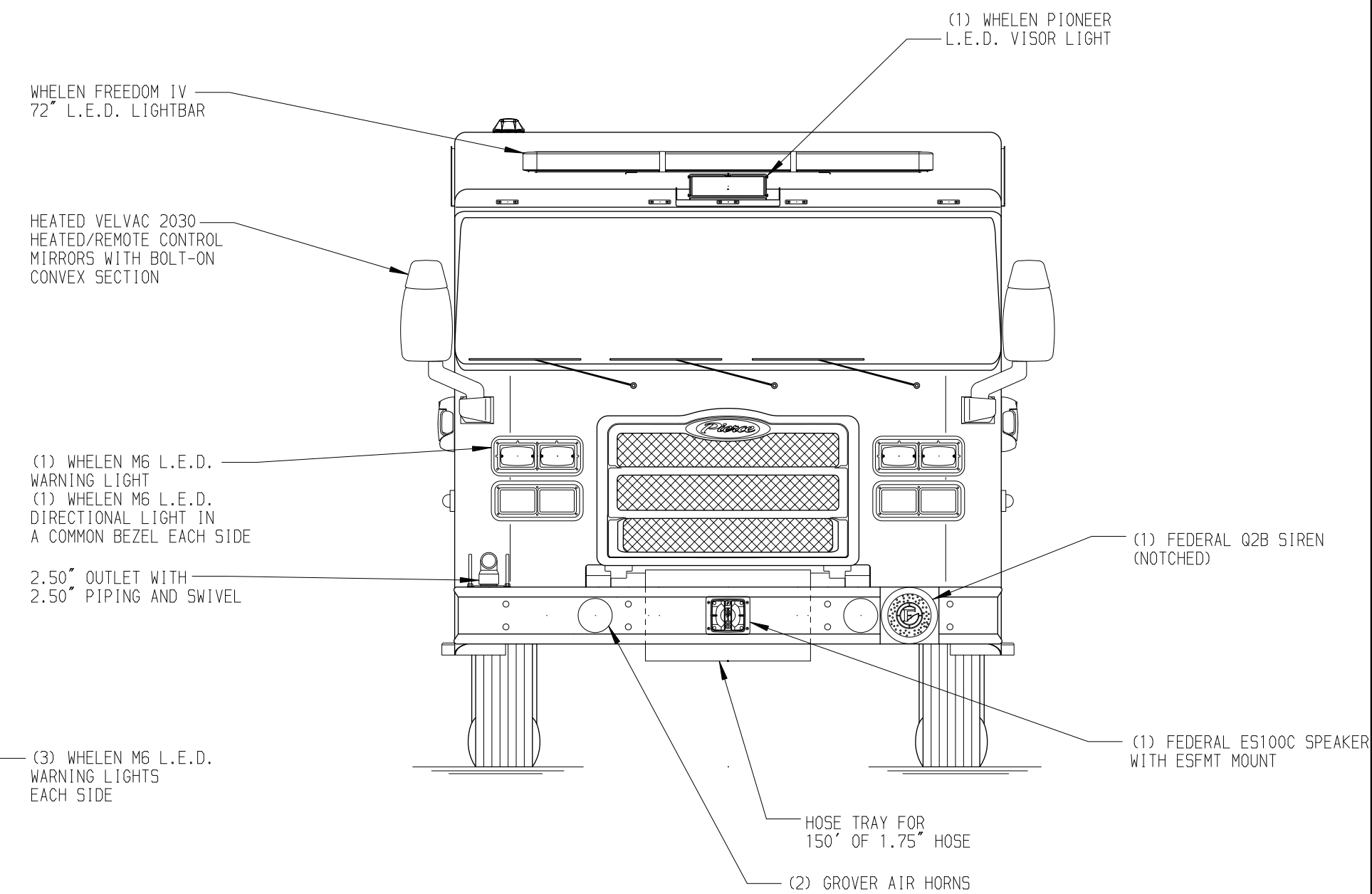
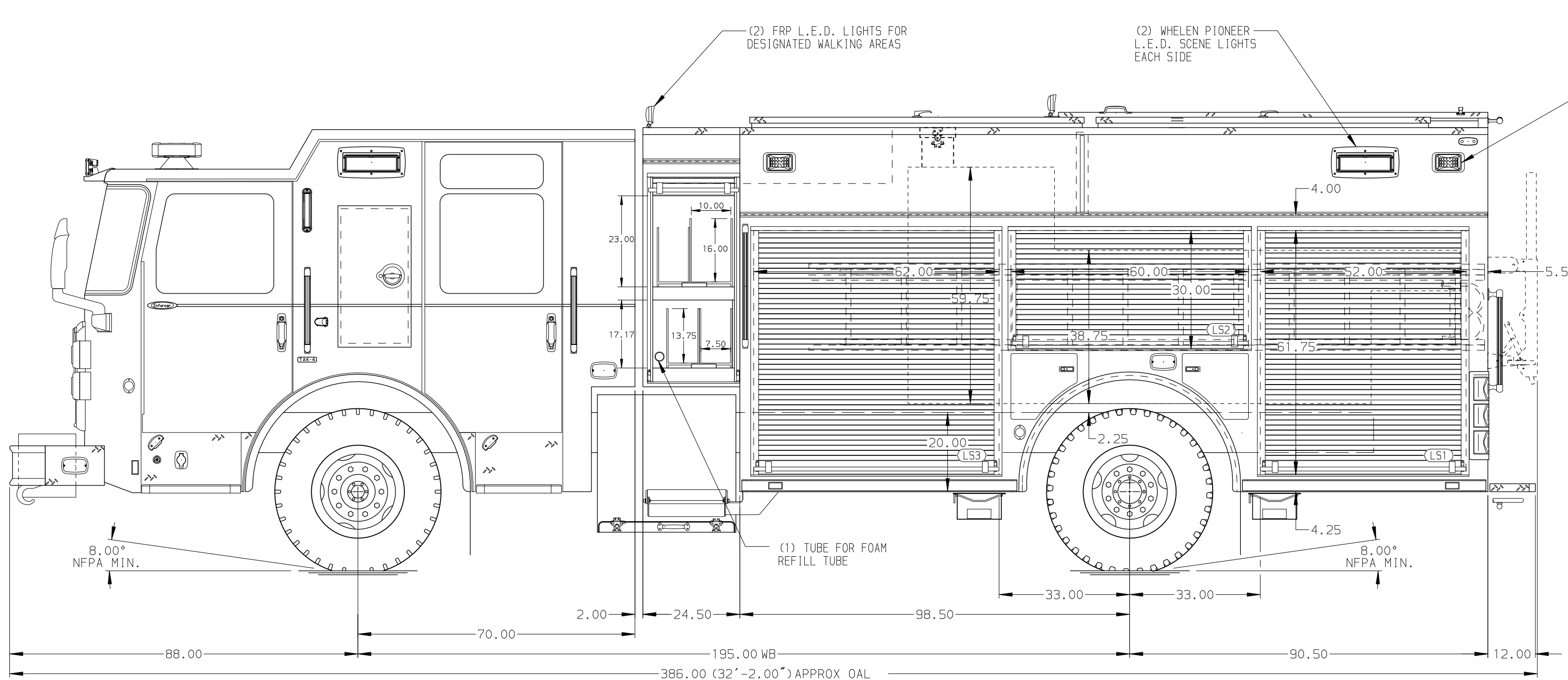
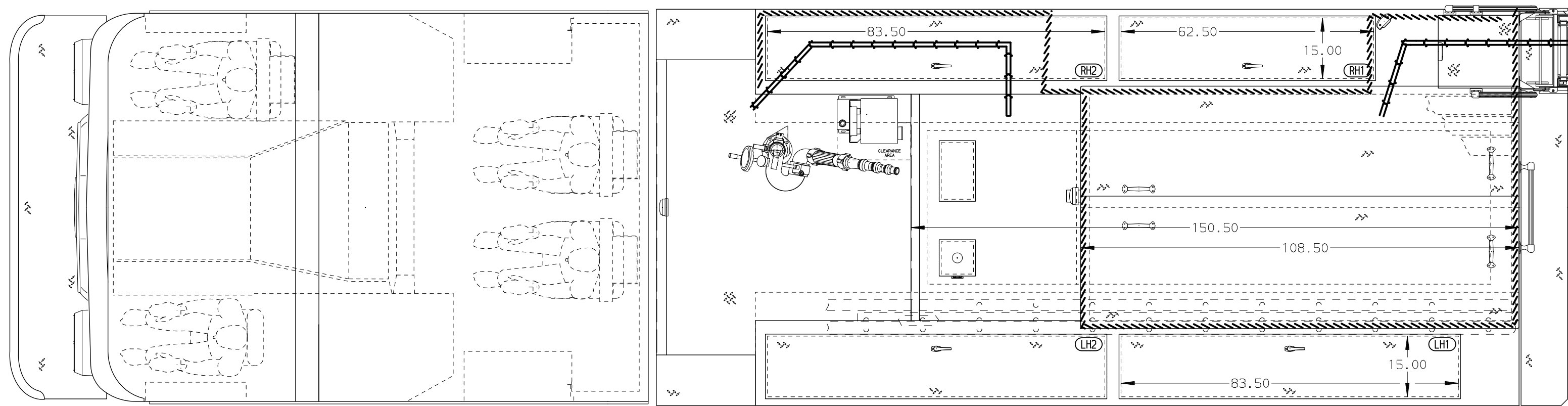
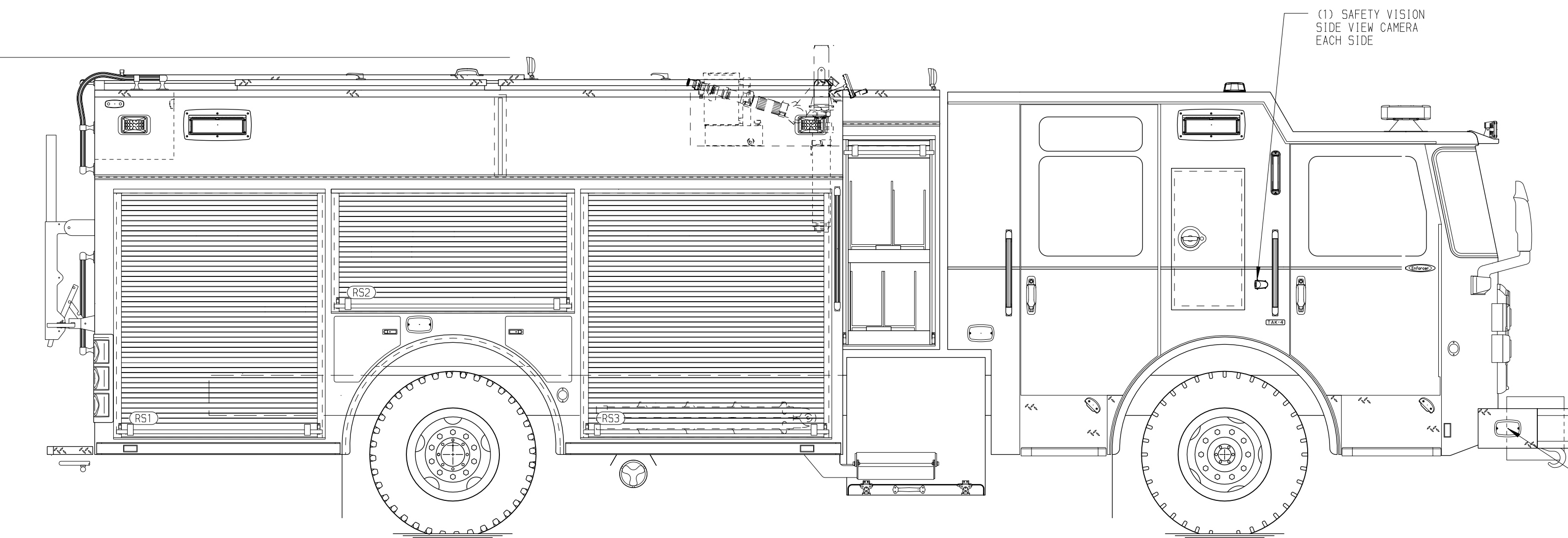
Side Roll and Frontal Impact Protection

NOTE

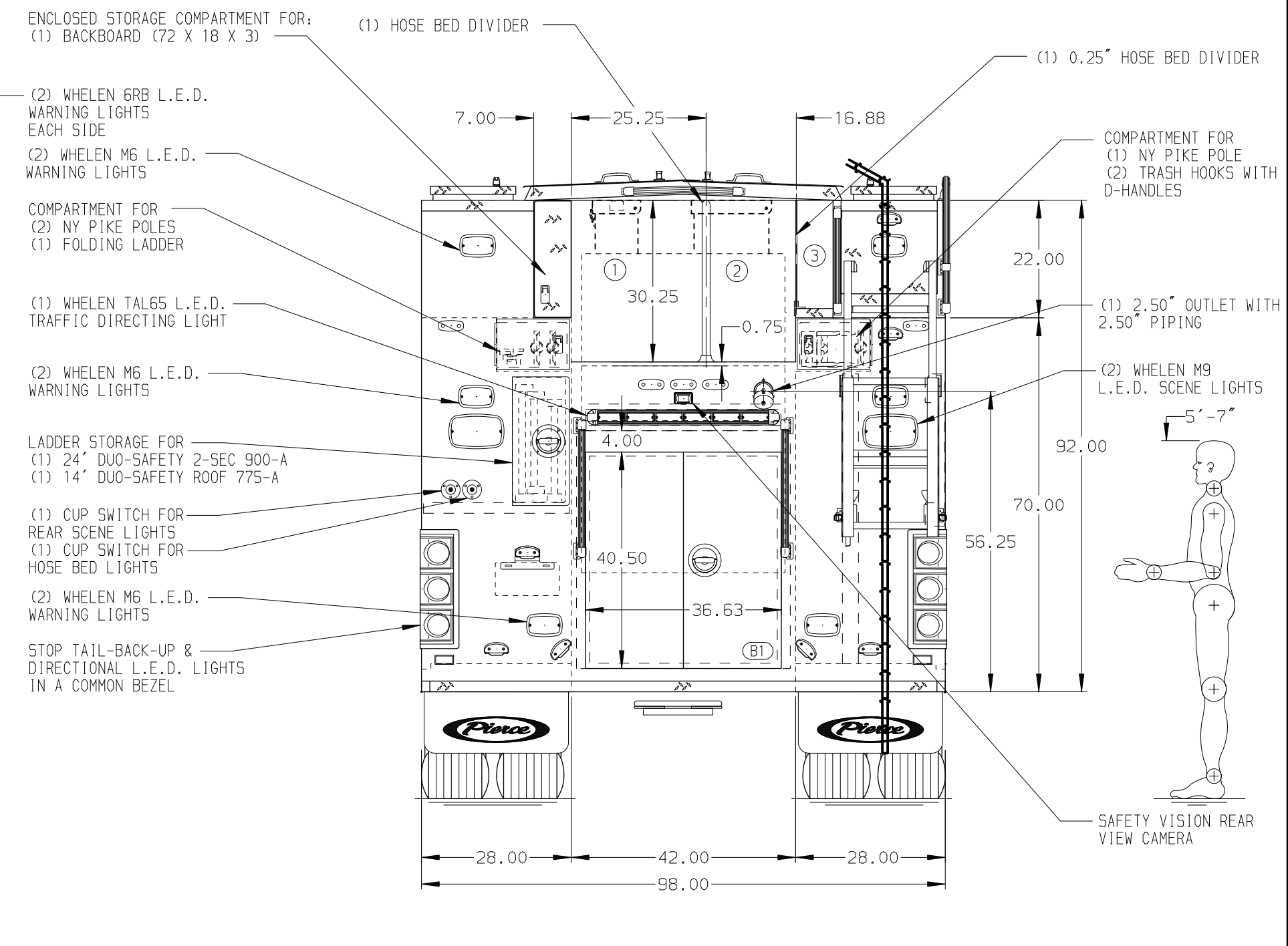
DIMENSIONS SHOWN ARE APPROXIMATE AND ARE SUBJECT TO MINOR DEVIATIONS AS MAY OCCUR OR BE NECESSARY IN CONSTRUCTION. MINOR DETAILS NOT SHOWN.

1. SHORELINE RECEPTACLE WITH KUSSMALL SUPER AUTO-EJECT LOCATED DRIVER SIDE STEPWELL
2. AIR INLET WITH KUSSMALL AIR EJECT IN THE DRIVER SIDE STEPWELL
3. BATTERY CHARGER LOCATED IN COMPARTMENT PER SHOP ORDER
4. BATTERY CHARGE INDICATOR LOCATED ON THE DRIVER SIDE SEAT RISER
5. NINE ADJUSTABLE SHELVES IN COMPARTMENTS PER SHOP ORDER
6. TWO FLOOR MOUNTED SLIDE-OUT TRAY IN COMPARTMENT PER SHOP ORDER
7. ONE ADJUSTABLE SLIDE-OUT TRAY LOCATED PER SHOP ORDER
8. ONE SWING-OUT TOOLBOARD LOCATED PER SHOP ORDER
9. ONSPOT AUTOMATIC TIRE CHAINS
10. LITTLE GIANT LADDER STORAGE LOCATED PER SHOP ORDER

124.00
(10'-4")
APPROX
O.A.H.



HOSEBED CAPACITY	
BED 1	800' OF 5.00" D.J. POLY HOSE
BED 2	500' OF 3.00" D.J. POLY HOSE
BED 3	500' OF 1.75" D.J. POLY HOSE



		JOB NO.	36061-01-03
		SCALE	DATE
TITLE	Pierce PUC Pumper Approval Drawing	DRAWN BY	MMF
FOR	City of Billings Fire Department	CHECKED BY	COL
DWG NO.	36061AD	SHEET SIZE	D
ENFORCER		SHEET NO.	1 OF 1

REV	DATE	BY	CH	ENFORCER
15JUL21	MMF	ZWE		CHASSIS DATA
21APR21	MMF	ZWE		MAKE
19APR21	MMF	ZWE		PIERCE
14APR21	MMF	ZWE		MODEL