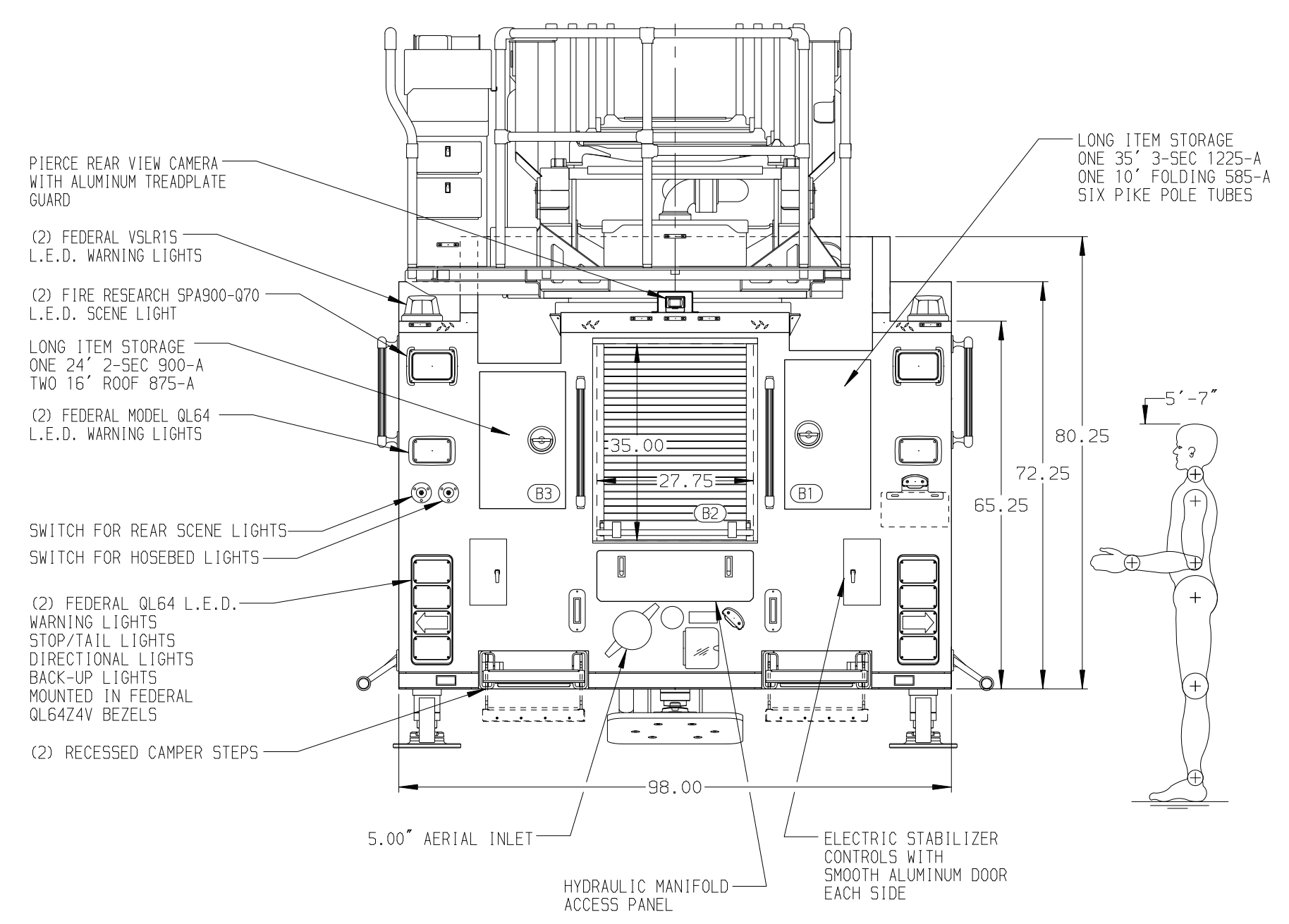
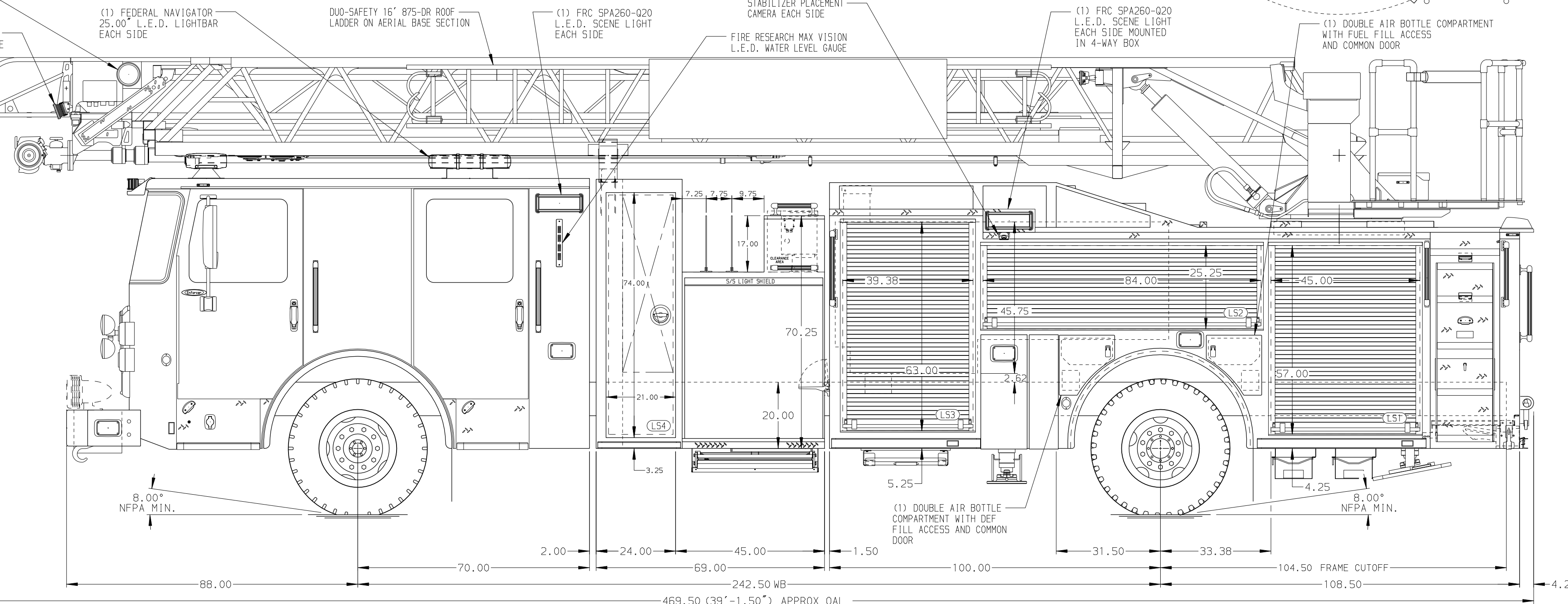
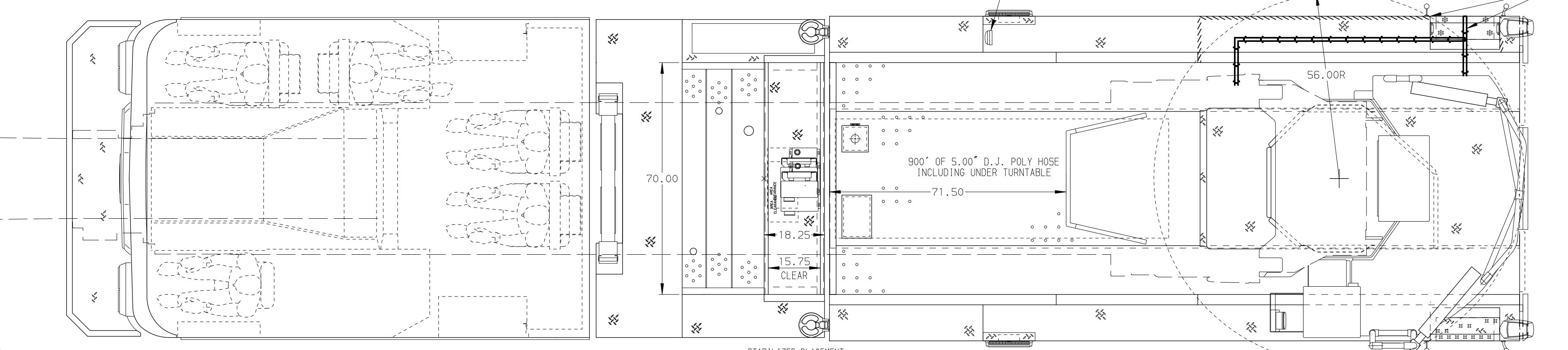


<p><b>BODY</b></p> <p>107' ASL Aluminum Body</p> <p>COMPT, LEFT SIDE FRONT</p> <p>Full Height RollUp Forward</p> <p>COMPT, LEFT SIDE REAR</p> <p>Full Height RollUp Rearward</p> <p>COMPT, RIGHT SIDE FRONT</p> <p>Full Height RollUp Forward</p> <p>COMPT, RIGHT SIDE REAR</p> <p>Full Height RollUp Rearward</p>	<p><b>WATER TANK</b></p> <p>500 Gallon Poly Water Tank</p> <p>Foam System</p> <p>Husky 3 Single Agent Foam System</p> <p>Foam Cell</p> <p>20 Gallon Foam Cell, Non-Reduced Water</p>
--	--



<b>CHASSIS</b> Enforcer Chassis 450 HP Cummins L9 Engine	<b>CAB</b> 7000 Enforcer Cab 19" Extended Painted Steel	<b>AXLE, FRONT, CUSTOM</b> 22,800 Lb Dana Axle	<b>TRANSMISSION</b> Allison 5th Gen, 3000 EV5 P	<b>PUMPHOUSE</b> 45" Control Zone Side Mount 1500 GPM Hole QMAX	<b>CROSSLAYS, 1.50"</b> (2) 1.50" Standard Capacity	<b>SPEEDLAYS</b> Speedlays Not Required Generator Not Required
<b>ENGINE</b>	<b>BUMPER</b>	<b>AXLE, REAR</b> 33,500 Lb Meritor Axle		<b>PUMP</b>	<b>CROSSLAYS, 2.50"</b> (1) 2.50" Standard Capacity	

**NOTE**  
DIMENSIONS SHOWN ARE APPROXIMATE AND ARE SUBJECT TO MINOR DEVIATIONS AS MAY OCCUR OR BE NECESSARY IN CONSTRUCTION. MINOR DETAILS NOT SHOWN.

- SHORELINE RECEPTACLE WITH KUSSMAUL SUPER AUTO-EJECT IN THE DRIVER SIDE STEPWELL
- AIR INLET WITH DISCONNECT COUPLING IN THE DRIVER SIDE STEPWELL
- BATTERY CHARGER LOCATED IN COMPARTMENT PER SHOP ORDER
- BATTERY CHARGE INDICATOR LOCATED ON THE DRIVER SIDE SEAT RISER
- L.E.D. LIGHT STRIPS LOCATED IN HOSE BED PER SHOP ORDER
- SIX ADJUSTABLE SHELVES IN COMPARTMENTS PER SHOP ORDER
- THREE FLOOR MOUNTED SLIDE-OUT TRAYS IN COMPARTMENTS PER SHOP ORDER
- ONE SWING-OUT ALUMINUM TOOL BOARD IN COMPARTMENT PER SHOP ORDER
- ONE ALUMINUM PEGBOARD ON BACK WALL COMPARTMENT PER SHOP ORDER
- ONE RACK FOR (5) AIR BAGS IN COMPARTMENT PER SHOP ORDER
- TWO 120V 6-PLACE RECEPTACLE STRIPS LOCATED IN CAB PER SHOP ORDER
- NON-RAISED AERIAL PEDESTAL
- LIFTING EYE ROPE RESCUE ATTACHMENT AT AERIAL TIP
- AIR HORN CONTROL AT AERIAL TURNABLE
- 1500 GPM HIGH FLOW WATERWAY
- LIMITED RETRACTION NOT REQUIRED

<b>Pierce MANUFACTURING INC.</b>		JOB NO.	36059
		SCALE	DATE
		1:24	
		TITLE	107' ASCENDANT AERIAL LADDER AND BODY ASSEMBLY
		FOR	PACE FIRE RESCUE DISTRICT PACE, FLORIDA
		CHECKED BY	NDA 18MAR21
		SHEET SIZE	SHEET NO.
		D	1 OF 1

REV	DATE	BY	CH	ENFORCER
13JUL21	TKA	KBO		
30APR21	TKA	KBO		

CHASSIS DATA  
MAKE  
PIERCE  
MODEL  
NO.

DWG NO. 36059AD