

### PUMPER BODY

Long Aluminum 2nd Gen Pumper

### CHASSIS

Velocity Chassis (Big Block)

### CHASSIS AXLE, FRONT, CUSTOM

22,800 Lb TAK-4 Axle

### AXLE, REAR

27,000 Lb Meritor Axle

### ENGINE

505 HP DD13 Engine

### TRANSMISSION

Allison 5th Gen, 4000 EVS P

### BUMPER

19" Extended Painted Steel

### CAB

7000 Velocity FR Cab

### BODY WATER TANK

750 Gallon New York Style Water Tank

### COMPT, PUMPER, REAR

30.75" FF RollUp Rear Compt

### COMPT, PUMPER, LEFT SIDE

161" RollUp Full Height Front & Rear FDLR

### COMPT, PUMPER, RIGHT SIDE

161" RollUp Full Height Front & Rear FDLR

### FIRE SUPPRESSION PUMPHOUSE

45" Control Zone Side Mount

### PUMP

2000 GPM Waterous CSU

### CROSSLAYS, 1.50"

1.50" Crosslays Not Required

### CROSSLAYS, 2.50"

2.50" Crosslay Not Required

### SPEEDLAYS

Speedlays Not Required

### GENERATOR

Generator Not Required

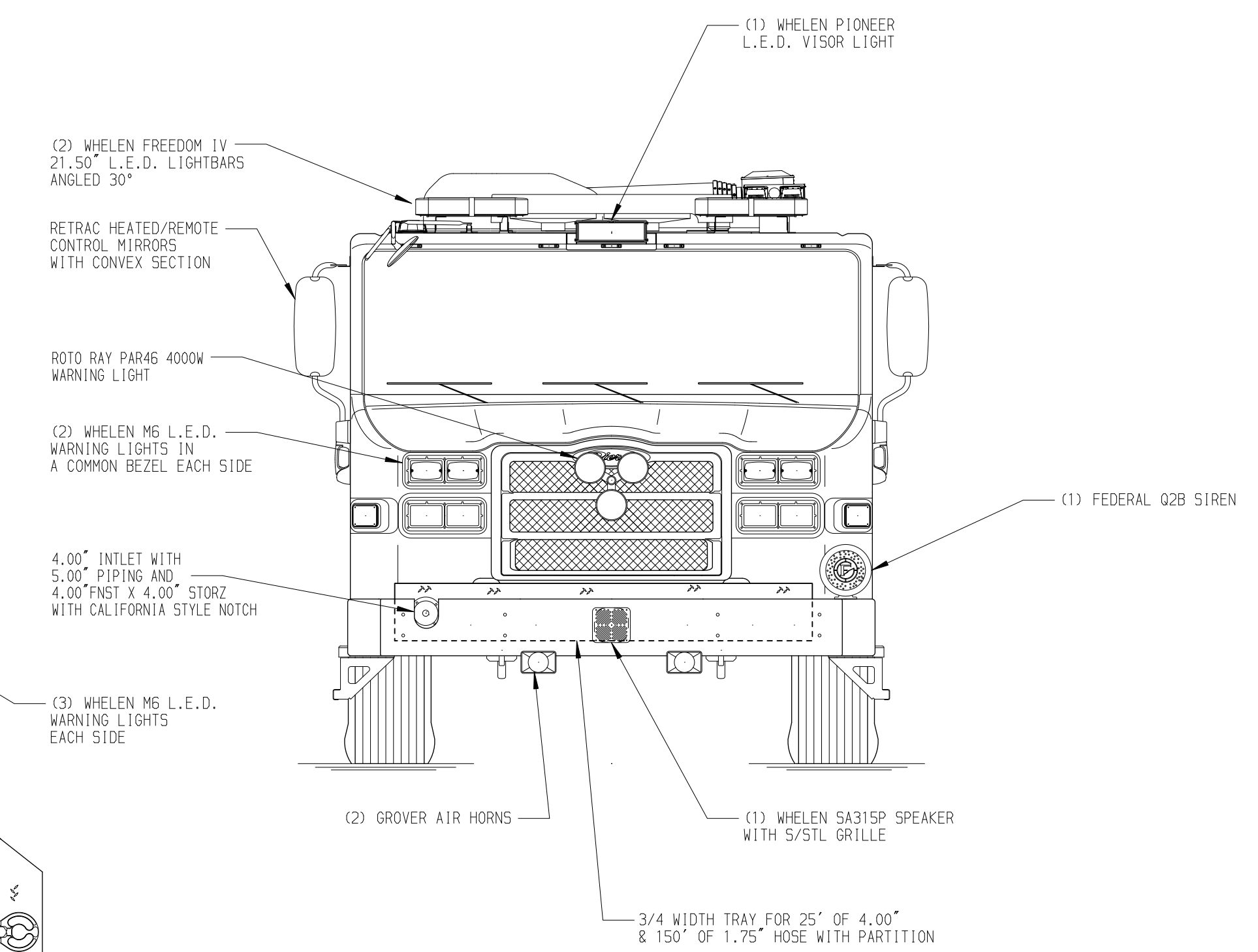
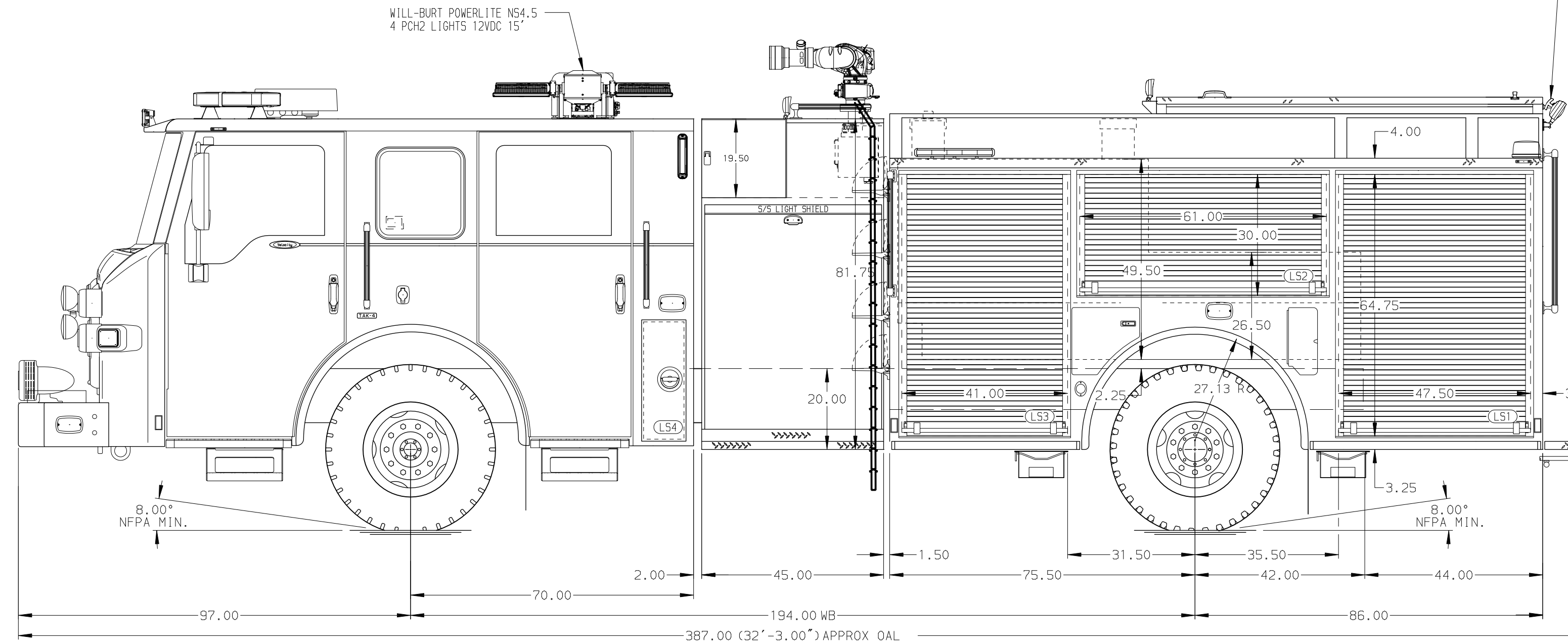
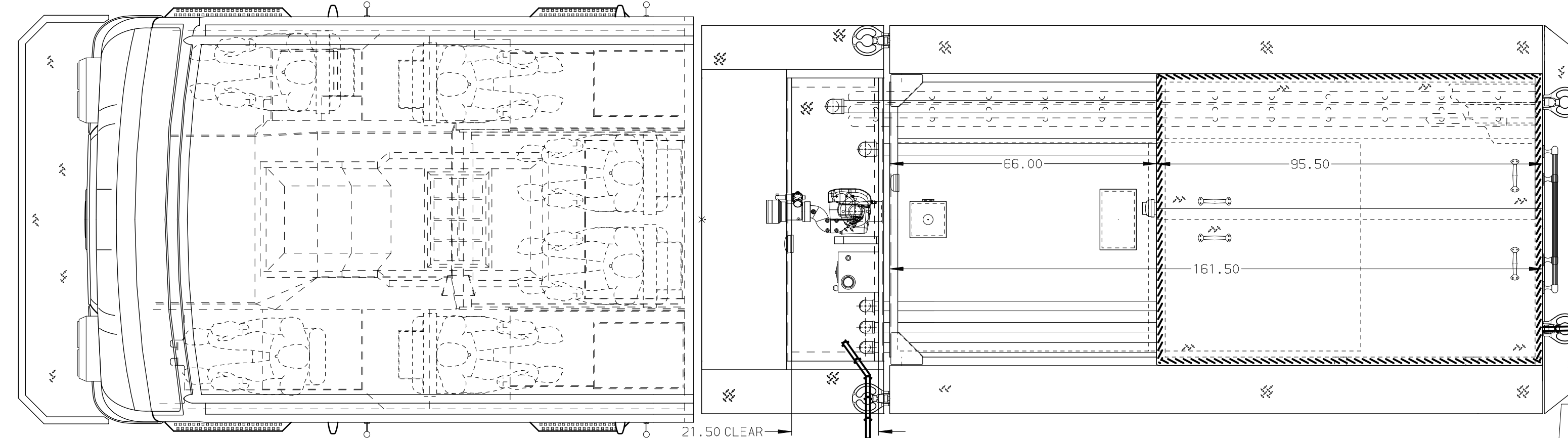
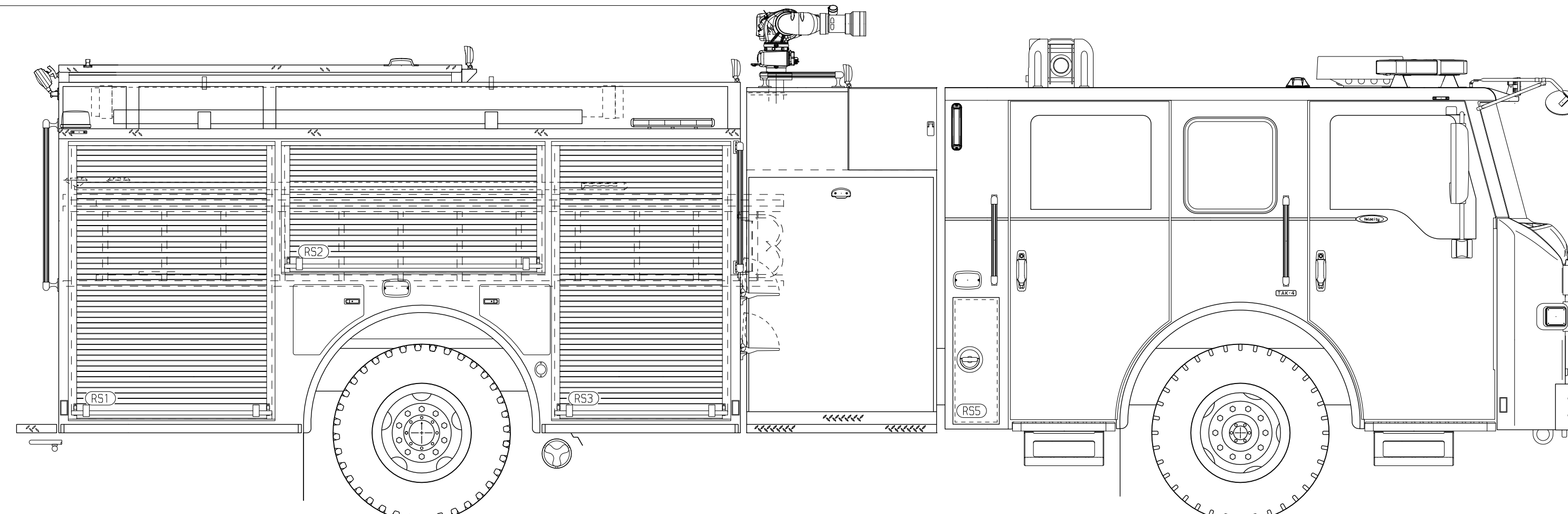
### Foam System

Husky 12 Single Agent Foam System

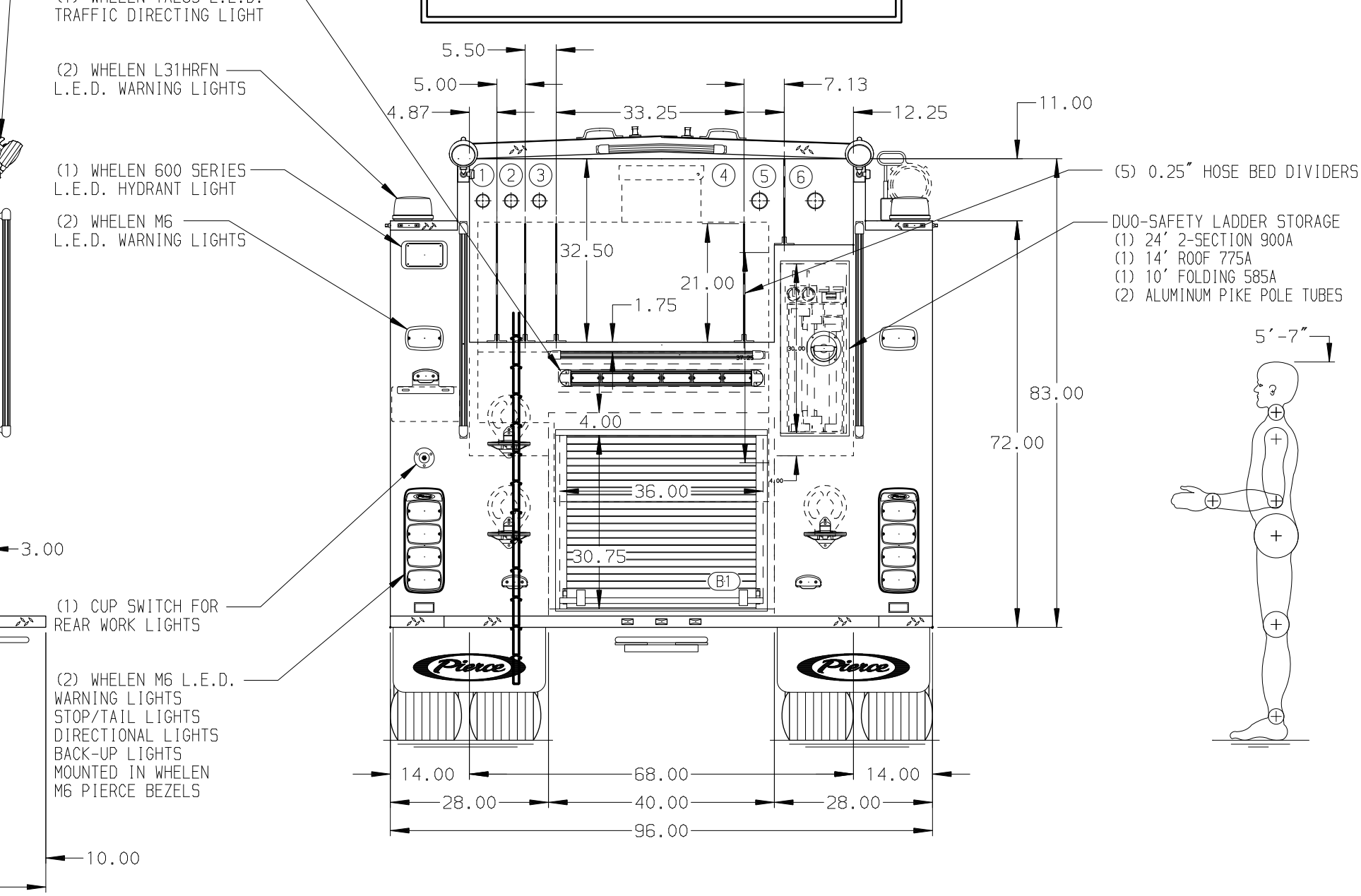
### Foam Cell

25 Gallon Foam Cell, Reduced Water

124.00  
(10'-4")  
APPROX  
O.A.H.



HOSEBED CAPACITY	
<b>BED 1</b>	250' OF 1.75" D.J. POLY HOSE
<b>BED 2</b>	250' OF 1.75" D.J. POLY HOSE
<b>BED 3</b>	200' OF 2.00" D.J. POLY HOSE
<b>BED 4</b>	1000' OF 4.00" D.J. POLY HOSE
<b>BED 5</b>	250' OF 2.50" D.J. POLY HOSE
<b>BED 6</b>	200' OF 3.00" D.J. POLY HOSE



**NOTE**  
DIMENSIONS SHOWN ARE APPROXIMATE AND ARE SUBJECT TO MINOR DEVIATIONS AS MAY OCCUR OR BE NECESSARY IN CONSTRUCTION. MINOR DETAILS NOT SHOWN.

- ONE 1.50" OUTLET WITH 2.00" PIPING AND SWIVEL LOCATED IN CENTER BUMPER TRAY
- SHORELINE RECEPTACLE WITH KISSMALL SUPER AUTO-EJECT LOCATED ON DRIVER SIDE OF THE CAB
- AIR INLET WITH DISCONNECT COUPLING IN THE DRIVER SIDE STEPMELL
- BATTERY CHARGER LOCATED IN COMPARTMENT PER SHOP ORDER
- BATTERY CHARGE INDICATOR LOCATED DRIVERS SIDE THRU WINDOW
- FOUR ADJUSTABLE SHELVES IN COMPARTMENTS PER SHOP ORDER
- FOUR FLOOR MOUNTED SLIDE-OUT TRAY IN COMPARTMENT PER SHOP ORDER
- ONE TILT/SLIDE-OUT TRAY LOCATED IN COMPARTMENT PER SHOP ORDER
- TOOL GRID SYSTEM LOCATED IN COMPARTMENT PER SHOP ORDER
- SIX DRAWER CTECH ASSEMBLY LOCATED IN COMPARTMENT PER SHOP ORDER

REV	DATE	BY	CH	VELOCITY FR
1	11JUN21	MMF	PJP	
2	09APR21	MMF	PJP	

		JOB NO.	36055
		SCALE	DATE
TITLE	Pierce Pumper Approval Drawing	DRAWN BY	MMF
FOR	Village of Falconer	CHECKED BY	COL
DWG NO.	36055AD	SHEET SIZE	SHEET NO.
		D	1 OF 1