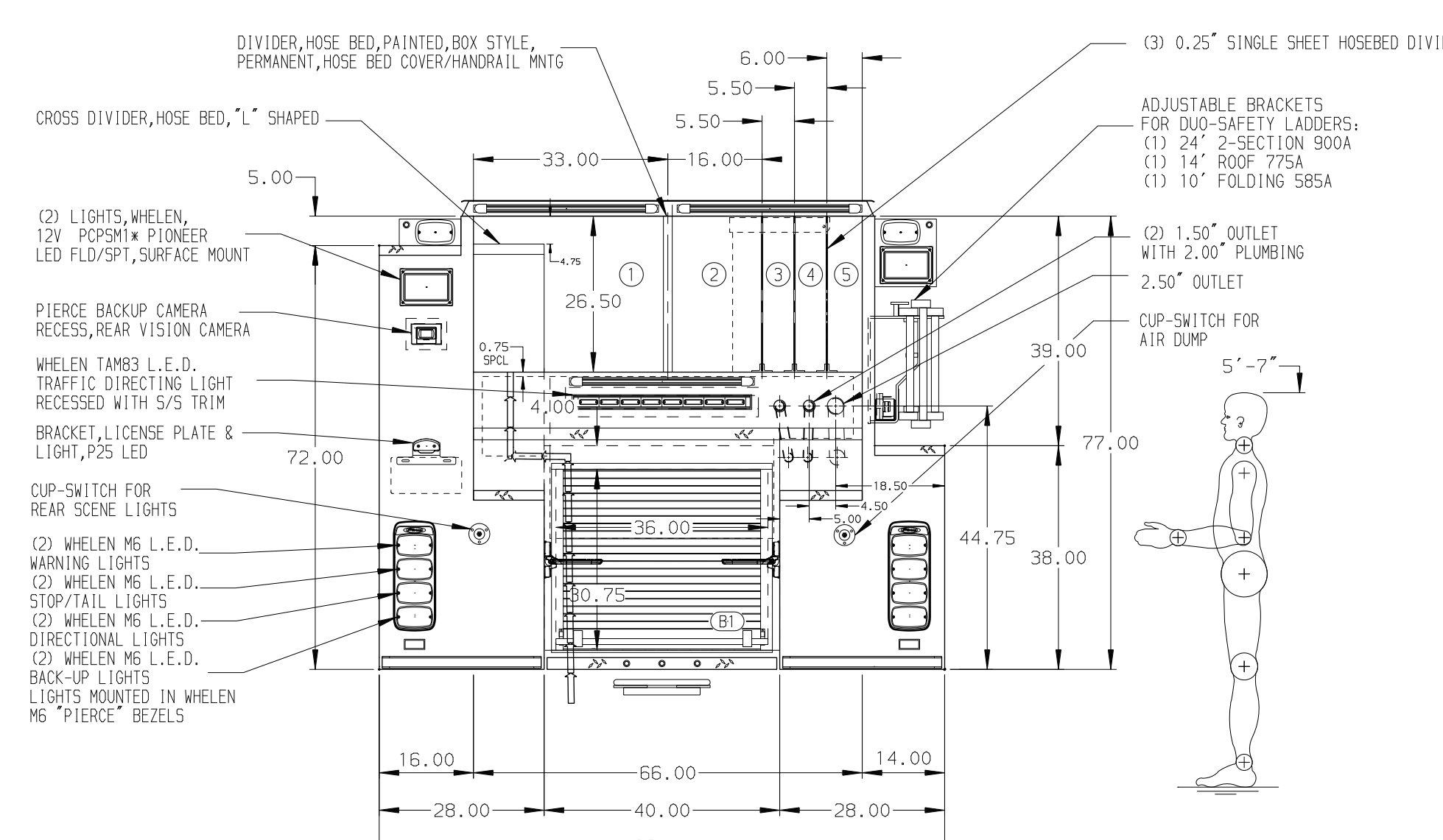
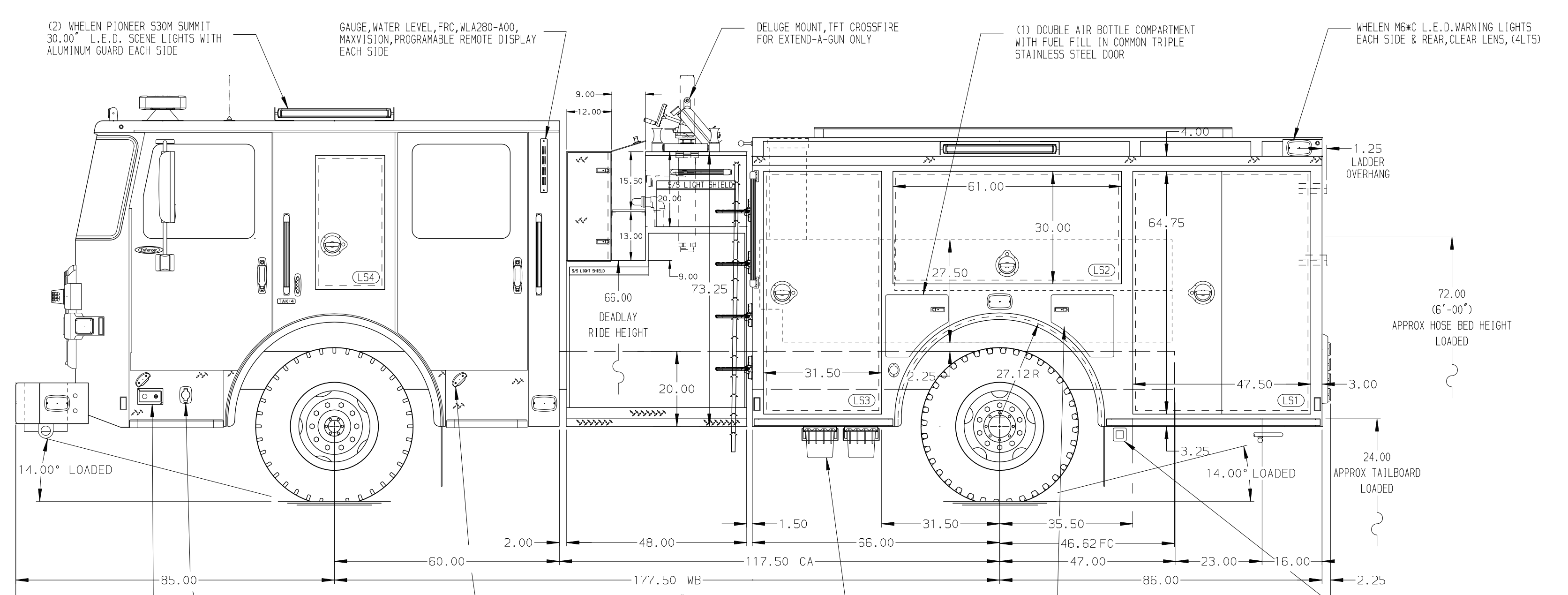


- HOSEBED CAPACITIES**
- ① - 700' OF 5.00" D.J. POLY HOSE
  - ② - 600' OF 2.50" D.J. POLY HOSE
  - ③ - 150' OF 1.75" D.J. POLY HOSE
  - ④ - 200' OF 1.75" D.J. POLY HOSE
  - ⑤ - 150' OF 2.50" D.J. POLY HOSE



**ALUMINUM BODY**

**MAXIMUM O.A.L. 350.75"**

**MAXIMUM O.A.H. 114.00"**

**SIDE ROLL AND FRONTAL IMPACT PROTECTION**

**NOTE**

DIMENSIONS SHOWN ARE APPROXIMATE AND ARE SUBJECT TO MINOR DEVIATIONS AS MAY OCCUR OR BE NECESSARY IN CONSTRUCTION. MINOR DETAILS NOT SHOWN.

1. S/S STL SCUFFPLATE ON EACH CAB DOOR JAMB
2. REVERSED HINGED DOOR ON COMPARTMENT L53
3. S/S STL SCUFFPLATE ON BOTTOM EDGE OF DOOR FRAMING OF COMPARTMENT L51, L52, L53, RS1 AND RS2
4. S/S STL SCUFFPLATE IN COMPARTMENT L52, L53, RS2, TWO DOORS IN L51 AND RS1
5. KEVED LOCKS FOR LATCHES ON ALL COMPARTMENT DOORS (#751 LOCK)
6. NO CHROME SIDE MOUNDING ON CAB SIDE
7. STAINLESS STEEL FENDER CROWNS ON CAB
8. TWO ZIAMATIC SCBA HOLDER BRACKETS LOCATED IN L51
9. TWO VULCAN HAND LIGHT CHARGERS LOCATED IN L51

REV	DATE	BY	CH	ENFORCER
09NOV21	JJB	DTJ		
13OCT21	JUS	PJP		
27AUG21	JJB	CHR		
30JUL21	JJB	PJP		
26JUL21	JJB	PJP	CHASSIS DATA	
08JUN21	JJB	PJP		
04JUN21	JJB	PJP	PIERCE	
02JUN21	JJB	PJP		
26MAR21	CDU	CDU	MODEL	

**Pierce MANUFACTURING INC.**

JOB NO. 36054-01-02

SCALE 1:24 DATE

DRAWN BY JJB 05MAR21

CHECKED BY EGO 10MAR21

SHEET SIZE D SHEET NO. 1 OF 2

TITLE 1500-D-500P, 152" PUMPER BODY, DELUGE RIGHT SIDE LADDER BRACKETS, BOOSTER REEL

FOR NORTH COUNTY FIRE AUTHORITY DALY CITY, CALIFORNIA

DWG NO. 36054AD-SH1