

**PUMPER
BODY**

Long Aluminum 2nd Gen Pumper

CHASSIS

Saber FR Chassis

**CHASSIS
AXLE, FRONT, CUSTOM**

20,000 Lb Dana Axle

AXLE, REAR

27,000 Lb Dana Axle

ENGINE

450 HP Cummins L9 Engine

TRANSMISSION

Allison 5th Gen, 3000 EVS P

BUMPER

19" Extended Stainless Steel

CAB

6010 Saber FR Cab

**BODY
WATER TANK**

1000 Gallon Poly Water Tank

COMPT, PUMPER, REAR

44.50" FF Double Door, Flush Rear Compt

COMPT, PUMPER, LEFT SIDE

161" Lap Full Height & Depth Front & Rear

COMPT, PUMPER, RIGHT SIDE

161" Lap (3) Liftup, FDLER

**FIRE SUPPRESSION
PUMPHOUSE**

42" Control Zone Top Mount

PUMP

1500 GPM Waterous CSU

CROSSLAYS, 1.50"

1.50" Crosslays Not Required

CROSSLAYS, 2.50"

2.50" Crosslay Not Required

SPEEDLAYS

(2) 1.50" W/Troy Std. Capacity

GENERATOR

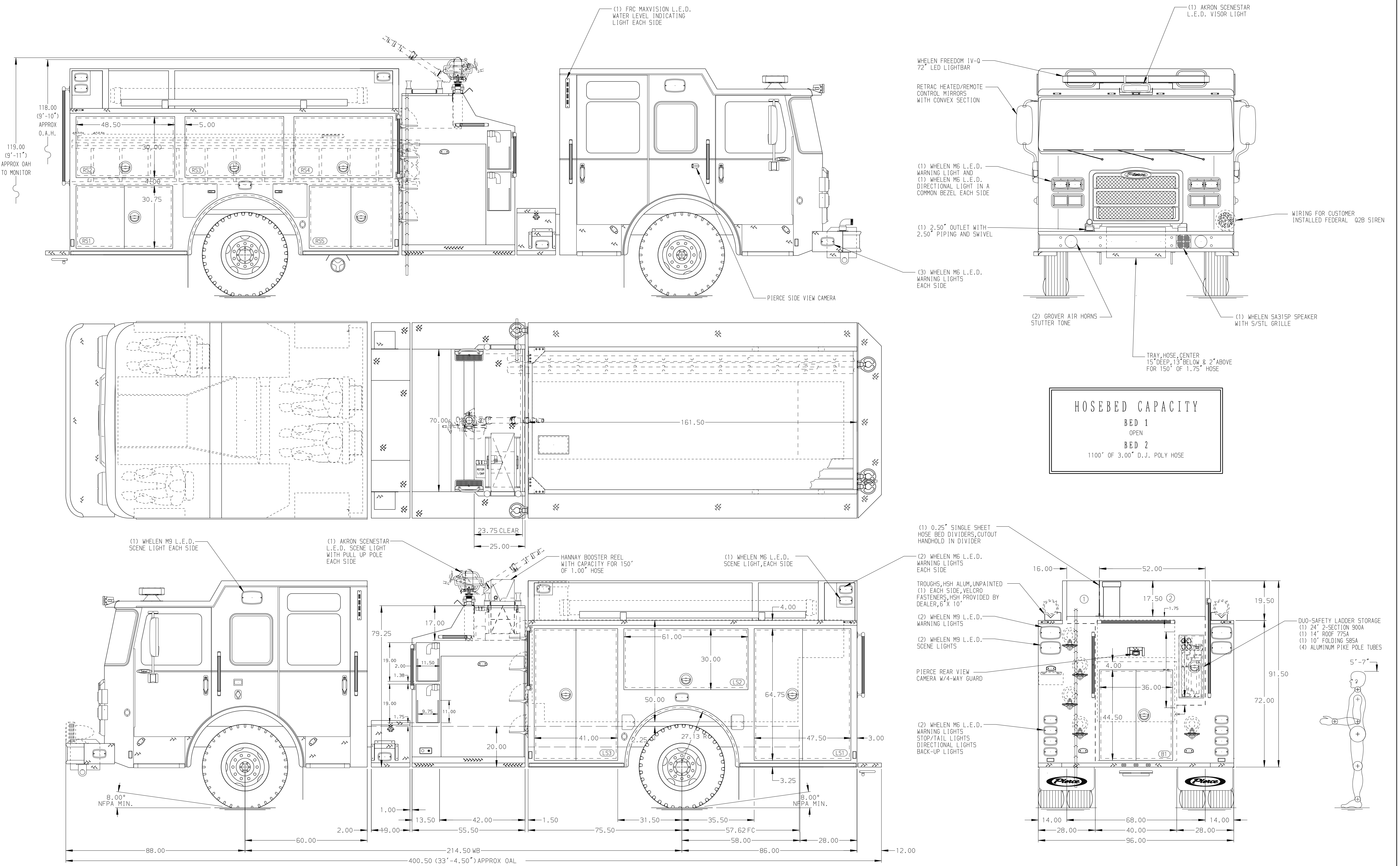
Generator Not Required

Foam System

Foam System Not Required

Foam Cell

Foam Cell Not Required



NOTE
DIMENSIONS SHOWN ARE APPROXIMATE AND ARE SUBJECT TO MINOR DEVIATIONS AS MAY OCCUR OR BE NECESSARY IN CONSTRUCTION. MINOR DETAILS NOT SHOWN.

REV	DATE	BY	CH	SABER FR
12APR21	RHU	GSC		
26JAN21	JLA	GSC		

		JOB NO.	36020		
		SCALE	DATE		
TITLE	Pierce Pumper Approval Drawing		DRAWN BY	MMF	17DEC20
FOR	Union County Fire Department		CHECKED BY	COL	21DEC20
DWG NO.	36020AD		SHEET SIZE	SHEET NO.	
			D	1 OF 1	