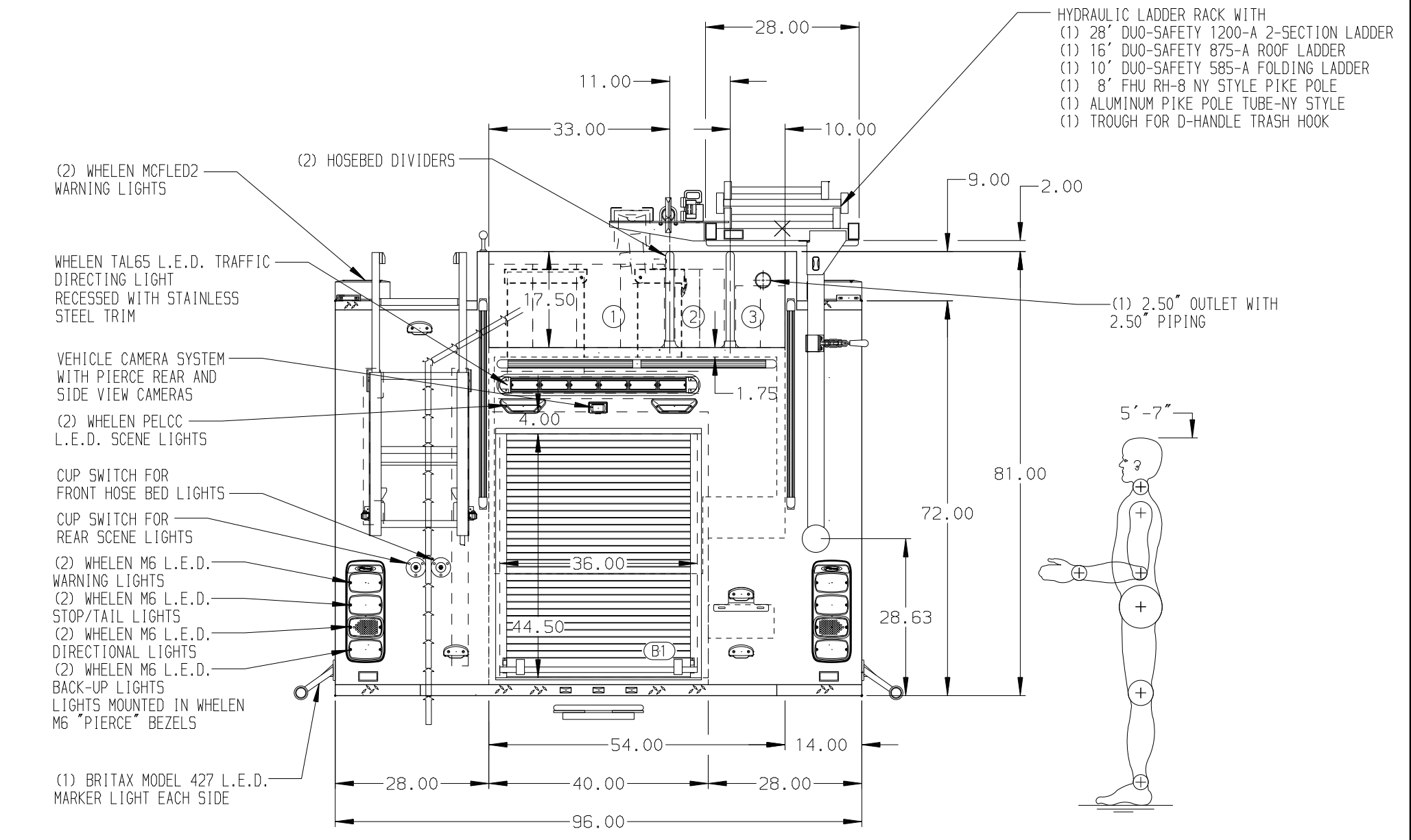
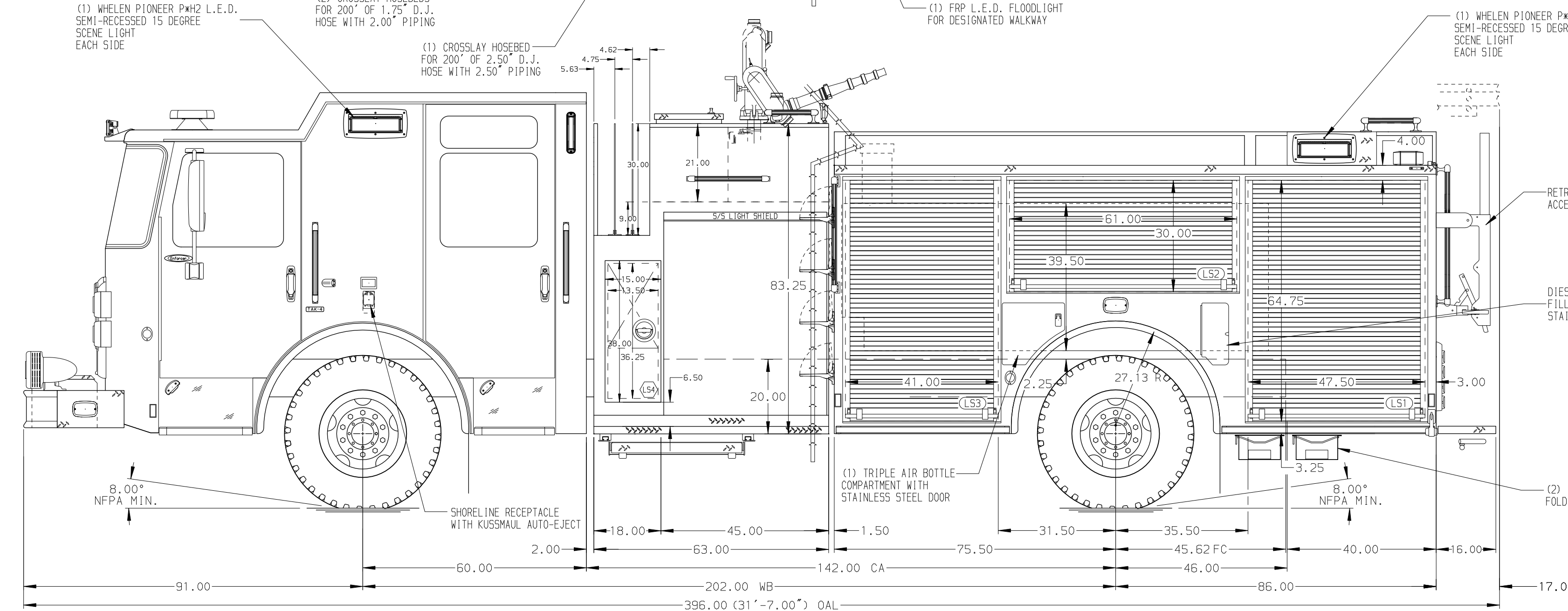


- HOSEBED CAPACITIES
- ① 850' OF 5.00" D.J. POLY HOSE
 - ② 400' OF 2.50" D.J. POLY HOSE
 - ③ 300' OF 2.50" D.J. POLY HOSE



ALUMINUM BODY

SIDE ROLL AND FRONTAL IMPACT PROTECTION

NOTE
DIMENSIONS SHOWN ARE APPROXIMATE AND ARE SUBJECT TO MINOR DEVIATIONS AS MAY OCCUR OR BE NECESSARY IN CONSTRUCTION.
MINOR DETAILS NOT SHOWN.

1. ONSPOT AUTOMATIC TIRE CHAINS TO BE PROVIDED AT REAR
2. BATTERY CHARGER/COMPRESSOR LOCATED IN COMPARTMENT LS3
3. WHELEN 700CEL29 L.E.D. LIGHT LOCATED AT THE FRONT OF THE HOSE BED
4. ONE FULL WIDTH/DEPTH ADJUSTABLE SHELF IN COMPARTMENT B1; TWO SHELVES IN COMPARTMENTS LS1, LS3, RS1, AND RS3
5. ONE ADJUSTABLE TILTING SLIDE-OUT TRAY IN COMPARTMENT LS2
6. ONE FLOOR MOUNTED SLIDE-OUT TRAY IN COMPARTMENTS RS1 AND B1
7. SWING-OUT TOOL BOARD WITH PEGBOARD PATTERN IN COMPARTMENT RS2
8. SLIDE-OUT TOOL BOARD WITH PEGBOARD PATTERN IN COMPARTMENT LS3
9. ONE VERTICAL PARTITION IN COMPARTMENT LS1 AND LS3
10. FLOOR EXTENSION WITH 1.00" UPTURNED LIP IN EACH ENGINEER'S COMPARTMENT

11. FOAM PRO 1600 SINGLE AGENT FOAM SYSTEM LOCATED PER SHOP ORDER
12. GENERATOR MOUNTING FOR GENERATOR (GTF) LOCATED IN RS3 PER CUSTOMER
13. 120V DUPLEX RECEPTACLE LOCATED IN COMPARTMENT B1

REV	DATE	BY	CH	ENFORCER
03SEP21	SAM	PJP		CHASSIS DATA
04JUN21	SAM	PJP		MAKE
28MAY21	SAM	PJP		PIERCE
30APR21	SAM	GKH		MODEL

		JOB NO.	36002
		SCALE	DATE
TITLE	1500-D-770P, 750G WATER W/20G FOAM CELL, 161" PUMPER (3)XLAYS, HYDRAULIC LADDER RACK, DELUGE	DRAWN BY	CDU
FOR	CITY OF URBANDALE URBANDALE, IOWA	CHECKED BY	CDU
DWG NO.	36002AD	SHEET SIZE	SHEET NO.
		D	1 OF 1