

**PUMPER BODY**

Medium Aluminum 2nd Gen Pumper

**CHASSIS**

Impel Chassis

**CHASSIS AXLE, FRONT, CUSTOM**

19,500 Lb TAK-4 Axle

**AXLE, REAR**

24,000 Lb Meritor Axle

**ENGINE**

450 HP Cummins L9 Engine

**TRANSMISSION**

Allison 5th Gen, 3000 EVS P

**BUMPER**

19" Extended Bumper

**CAB**

7010 Impel FR Cab

**BODY WATER TANK**

750 Gallon New York Style Water Tank

**COMPT, PUMPER, REAR**

30.75" FF RollUp Rear Compt

**COMPT, PUMPER, DRIVER SIDE**

152" RollUp Full Height Front & Rear FDLR

**COMPT, PUMPER PASS. SIDE**

152" RollUp Full Height Front & Rear FDLR

**FIRE SUPPRESSION PUMPHOUSE**

48" Control Zone Side Mount

**PUMP**

1500 GPM Waterous CSU

**CROSSLAYS, 1.50"**

(2) 1.50" Standard Capacity

**CROSSLAYS, 2.50"**

(1) 2.50" Standard Capacity

**SPEEDLAYS**

SpeedLays Not Required

**GENERATOR**

Generator Not Required

**Foam System**

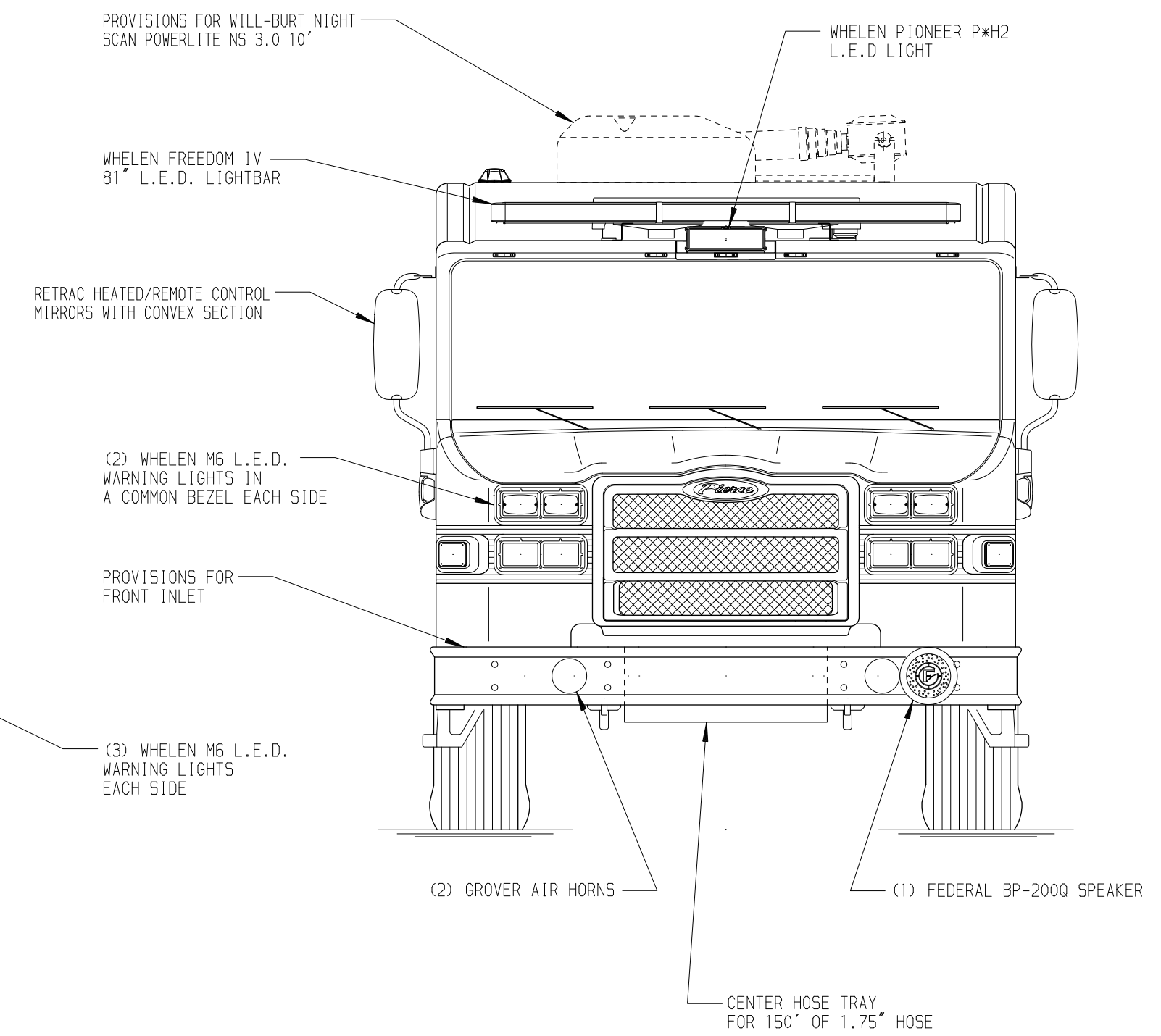
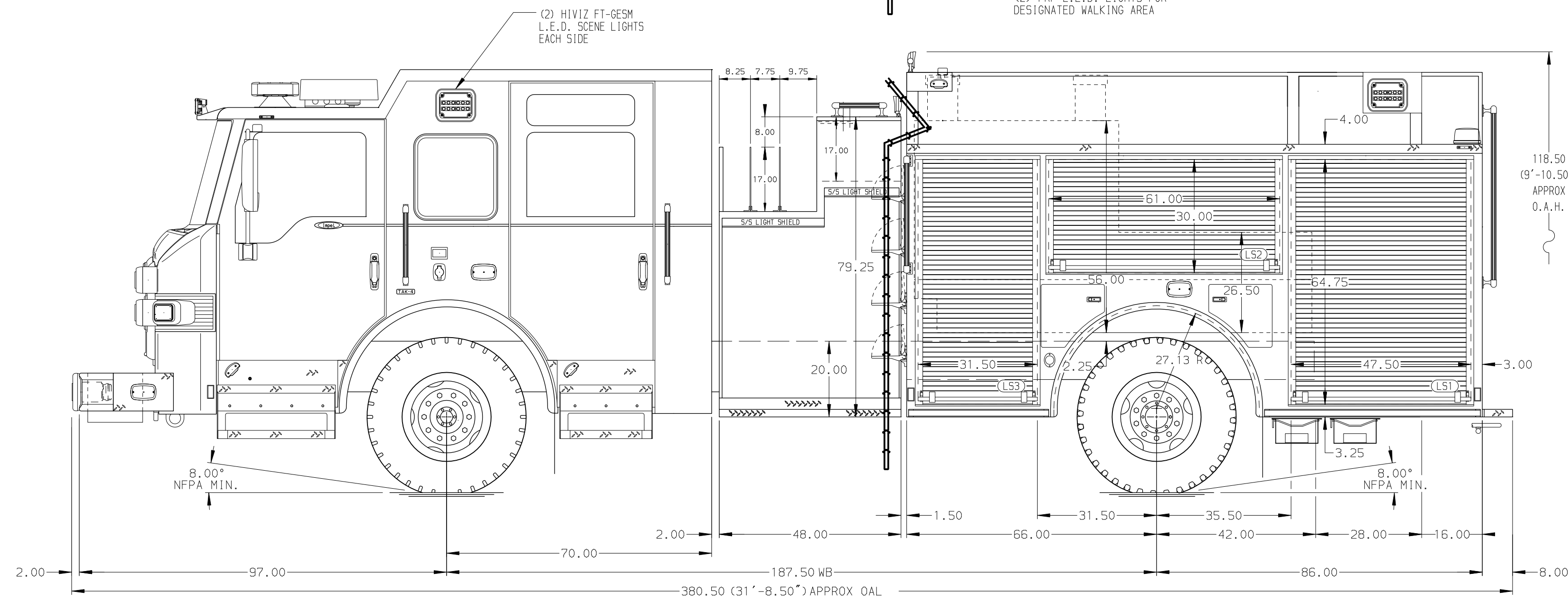
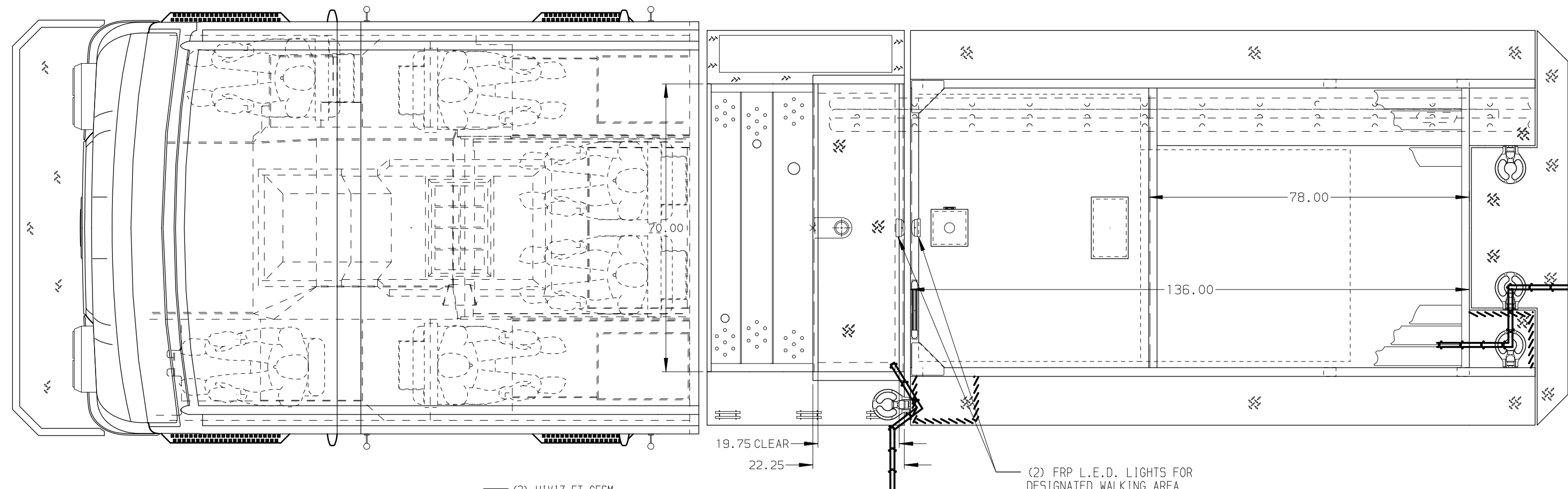
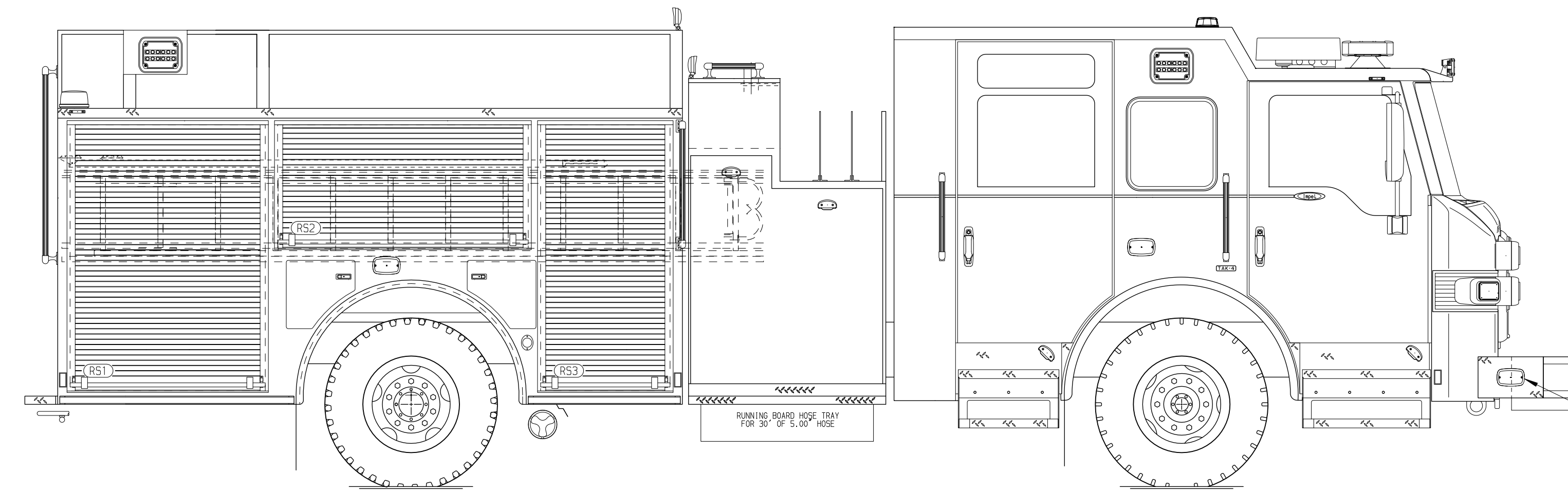
Piping For Future Husky 3/12 Foam System

**Foam Cell**

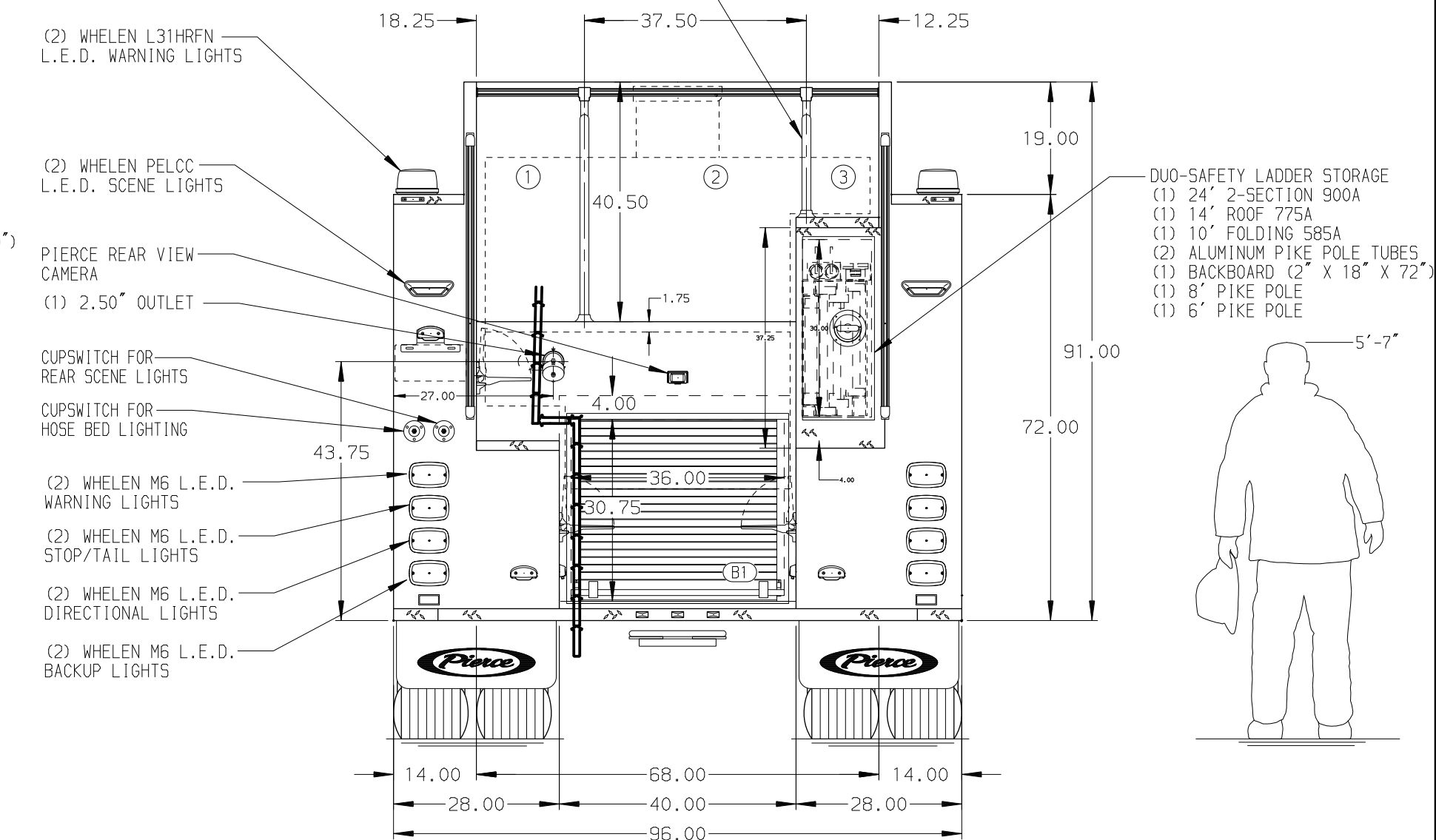
20 Gallon Foam Cell, Not Reduced Water

**NOTE**  
DIMENSIONS SHOWN ARE APPROXIMATE AND ARE SUBJECT TO MINOR DEVIATIONS AS MAY OCCUR OR BE NECESSARY IN CONSTRUCTION. MINOR DETAILS NOT SHOWN.

1. ONE 1.50 OUTLET WITH 2.00 PIPING AND SWIVEL LOCATED IN CENTER BUMPER TRAY
2. SHORELINE RECEPTACLE WITH KUSSMAUL SUPER AUTO-EJECT LOCATED ON DRIVER SIDE OF THE CAB
3. AIR INLET WITH DISCONNECT COUPLING IN THE DRIVER SIDE STEPWELL
4. BATTERY CHARGER LOCATED BEHIND DRIVER'S SEAT
5. BATTERY CHARGE INDICATOR LOCATED ON THE DRIVER SIDE OF THE CAB
6. FOUR ADJUSTABLE SHELVES IN COMPARTMENTS PER SHOP ORDER



HOSEBED CAPACITY	
<b>BED 1</b>	750' OF 3.00" D.J. POLY HOSE
<b>BED 2</b>	1000' OF 5.00" D.J. POLY HOSE
<b>BED 3</b>	250' OF 3.00" D.J. POLY HOSE



**CUSTOMER APPROVAL**

APPROVED BY: \_\_\_\_\_  
DATE: \_\_\_\_\_



REV	DATE	BY	CH	IMPEL

TITLE	FOR	DWG NO.
Pierce Pumper Approval Drawing	Pierce Stock Field Unit	36001AD

JOB NO.	36001
SCALE	DATE
1:24	
DRAWN BY	09DEC20
COL	
CHECKED BY	11DEC20
THS	
SHEET SIZE	SHEET NO.
D	1 OF 1